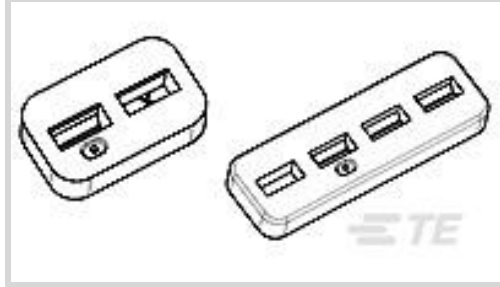




Connectors > Connector Accessories > Connector Seals & Cavity Plugs



Connector Seal & Plug Type: **Facial Seal**

Primary Product Color: **Natural**

Primary Product Material: **Silicone**

Contains Lubricant: **No**

Features

Product Type Features

Connector Seal & Plug Type	Facial Seal
----------------------------	-------------

Body Features

Primary Product Color	Natural
Primary Product Material	Silicone

Packaging Features

Packaging Method	Bag
Packaging Quantity	10000

Other

Contains Lubricant	No
--------------------	----

Product Compliance

[For compliance documentation, visit the product page on TE.com>](#)

EU RoHS Directive 2011/65/EU	Compliant
EU ELV Directive 2000/53/EC	Compliant
China RoHS 2 Directive MIIT Order No 32, 2016	No Restricted Materials Above Threshold
EU REACH Regulation (EC) No. 1907/2006	Current ECHA Candidate List: JAN 2025 (247) Candidate List Declared Against: JAN 2025 (247) Does not contain REACH SVHC
Halogen Content	Low Halogen - Br, Cl, F, I < 900 ppm per homogenous material. Also BFR/CFR/PVC

Free

Solder Process Capability

Not applicable for solder process capability

Product Compliance Disclaimer

This information is provided based on reasonable inquiry of our suppliers and represents our current actual knowledge based on the information they provided. This information is subject to change. The part numbers that TE has identified as EU RoHS compliant have a maximum concentration of 0.1% by weight in homogenous materials for lead, hexavalent chromium, mercury, PBB, PBDE, DBP, BBP, DEHP, DIBP, and 0.01% for cadmium, or qualify for an exemption to these limits as defined in the Annexes of Directive 2011/65/EU (RoHS2). Finished electrical and electronic equipment products will be CE marked as required by Directive 2011/65/EU. Components may not be CE marked. Additionally, the part numbers that TE has identified as EU ELV compliant have a maximum concentration of 0.1% by weight in homogenous materials for lead, hexavalent chromium, and mercury, and 0.01% for cadmium, or qualify for an exemption to these limits as defined in the Annexes of Directive 2000/53/EC (ELV). Regarding the REACH Regulation, the information TE provides on SVHC in articles for this part number is based on the latest European Chemicals Agency (ECHA) 'Guidance on requirements for substances in articles' posted at this URL: <https://echa.europa.eu/guidance-documents/guidance-on-reach>

Compatible Parts

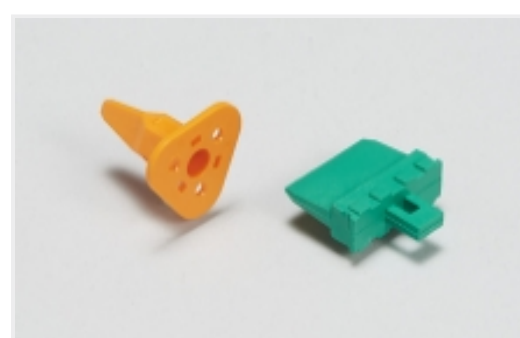


TE Part # CAT-T4827-CH8172
Timer Connector Housing

Also in the Series | Junior Power Timer



Automotive Connector Caps & Covers (9)



Automotive Connector Locks & Position Assurance(8)



Automotive Housings(279)



Automotive Terminals(150)



Busbars & Terminals(1)



Connector Seals & Cavity Plugs(7)



Module Components(1)



Other Automotive Connector Accessories(2)



Special Purpose Terminals(2)

Customers Also Bought



TE Part #1-967241-1
J-P-T HOUSING ASSY 6P



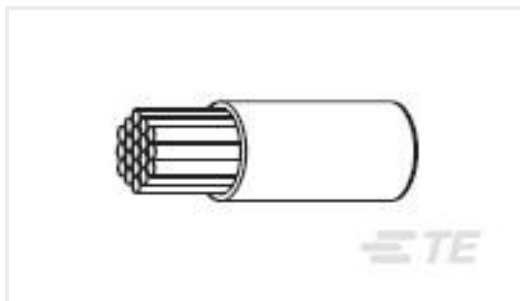
TE Part #350812-1
STR/REL CLAMP UMNL



TE Part #828904-1
SINGLE WIRE SEAL FOR J.P.T.CON



TE Part #1-640415-0
UMNL KEYING PLUG V0



TE Part #2079373003
FLHTC0311-0.35-0



TE Part #5-965982-1
TAB 2.8x0.8 CONTACT CF SWS Sn



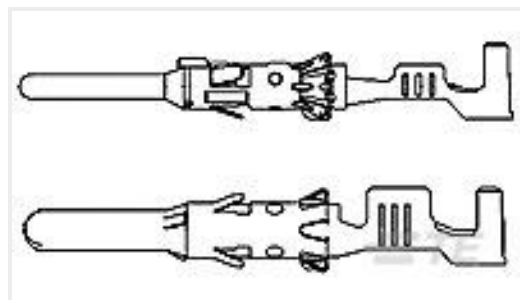
TE Part #EL6516-000
RBK-85-KIT-0102-A0



TE Part #7-967570-4
2POS MQS TAB SEALED COD A



TE Part #9-1393211-4
T92S11D22-24



TE Part #929968-1
2,5MM PIN CONTACT

Documents

Product Drawings

[DICHTUNG F2P JPT-GH](#)

English

CAD Files

Customer View Model

[ENG_CVM_963209-1_D1.3d_igs.zip](#)

English

Customer View Model



[ENG_CVM_963209-1_D1.3d_stp.zip](#)

English

Customer View Model

[ENG_CVM_963209-1_D1.2d_dxf.zip](#)

English

3D PDF

English

By downloading the CAD file I accept and agree to the [Terms and Conditions](#) of use.

Instruction Sheets

CONNECTEURS JPT ETANCHES A ETRIER POUR CONNEXIONS FIL A FIL PRECONISAT

English

Instruction Sheet (non U.S.)

English