



Connectors > Automotive Connectors > Automotive Connector Accessories > Automotive Connector EMC Shielding >

DT Highspeed Connector shielding



Connector Shielding Accessory Type: **Shield**

Primary Product Material: **Copper Alloy**

[All DT Highspeed Connector shielding \(5\)](#)

Features

Product Type Features

Sealable	Yes
Connector Shielding Accessory Type	Shield

Configuration Features

Number of Positions	2
---------------------	---

Body Features

Primary Product Material	Copper Alloy
--------------------------	--------------

Usage Conditions

Operating Temperature Range	-40 – 125 °C[-40 – 257 °F]
-----------------------------	----------------------------

Product Compliance

[For compliance documentation, visit the product page on TE.com>](#)

EU RoHS Directive 2011/65/EU	Compliant
EU ELV Directive 2000/53/EC	Compliant
China RoHS 2 Directive MIIT Order No 32, 2016	No Restricted Materials Above Threshold
EU REACH Regulation (EC) No. 1907/2006	



Current ECHA Candidate List: JAN 2025
(247)
Candidate List Declared Against: JAN 2025
(247)
Does not contain REACH SVHC

Halogen Content
Low Halogen - Br, Cl, F, I < 900 ppm per homogenous material. Also BFR/CFR/PVC Free

Solder Process Capability
Not reviewed for solder process capability

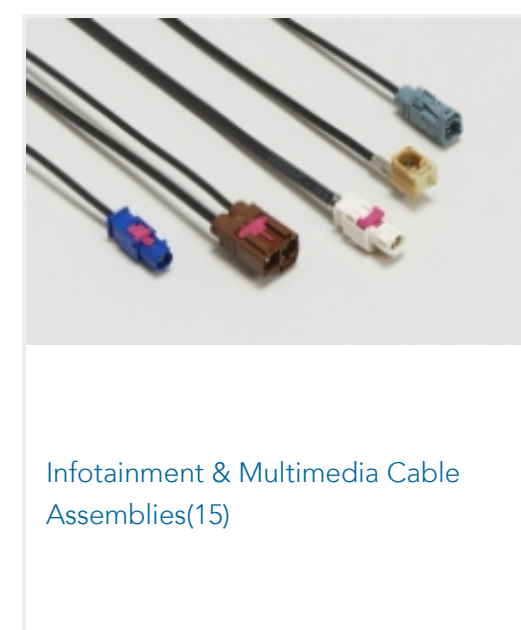
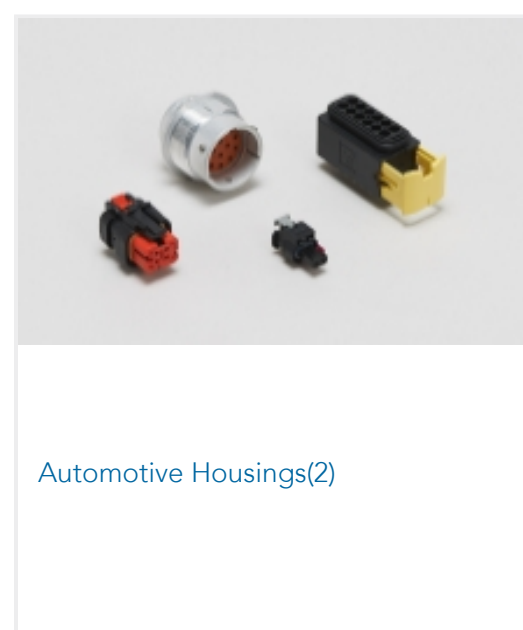
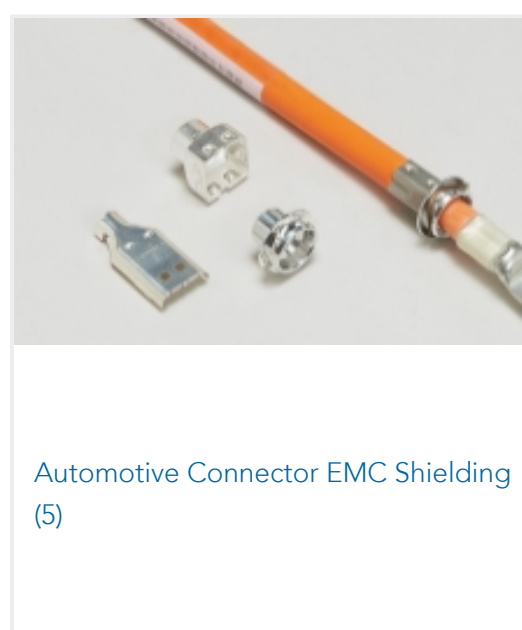
Product Compliance Disclaimer

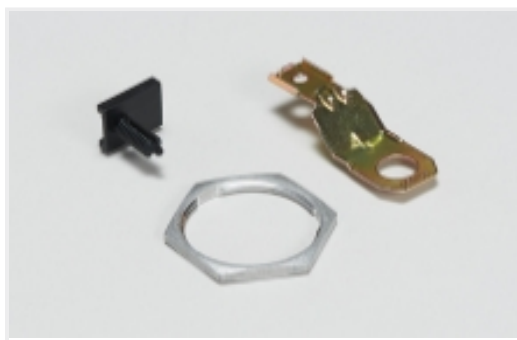
This information is provided based on reasonable inquiry of our suppliers and represents our current actual knowledge based on the information they provided. This information is subject to change. The part numbers that TE has identified as EU RoHS compliant have a maximum concentration of 0.1% by weight in homogenous materials for lead, hexavalent chromium, mercury, PBB, PBDE, DBP, BBP, DEHP, DIBP, and 0.01% for cadmium, or qualify for an exemption to these limits as defined in the Annexes of Directive 2011/65/EU (RoHS2). Finished electrical and electronic equipment products will be CE marked as required by Directive 2011/65/EU. Components may not be CE marked. Additionally, the part numbers that TE has identified as EU ELV compliant have a maximum concentration of 0.1% by weight in homogenous materials for lead, hexavalent chromium, and mercury, and 0.01% for cadmium, or qualify for an exemption to these limits as defined in the Annexes of Directive 2000/53/EC (ELV). Regarding the REACH Regulation, the information TE provides on SVHC in articles for this part number is based on the latest European Chemicals Agency (ECHA) 'Guidance on requirements for substances in articles' posted at this URL: <https://echa.europa.eu/guidance-documents/guidance-on-reach>

Compatible Parts



Also in the Series | DEUTSCH DT Highspeed



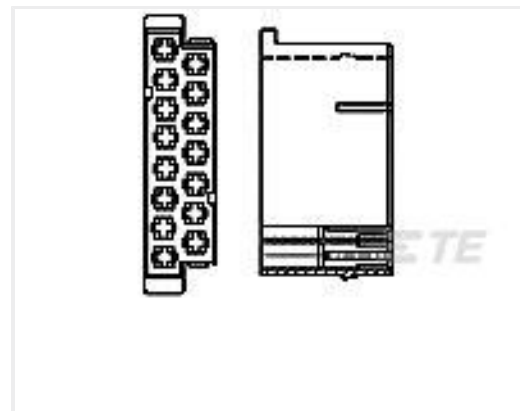


Other Automotive Connector Accessories(6)

Customers Also Bought



TE Part #1-207303-3
CPC RECPT ASSEMBLY SIZE 17-16



TE Part #926171-1
15P HSG MINI TIMER



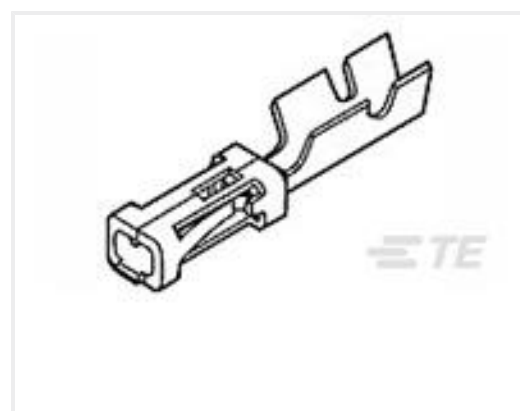
TE Part #926476-8
MOD 4 HSG



TE Part #2-2329383-3
PB ON/OFF FC YLW M1 TERM IP68



TE Part #1-338068-4
MICRO-MATCH FTE, 14P



TE Part #2-167301-2
MOD-4 REC.CONT.SCP



TE Part #CAT-EC7491-CH8172
ECONOSEAL, CONNECTOR HOUSING



TE Part #CAT-LMPH9507
Low & Medium Power Header

Documents

Product Drawings

CU ALLOY,SHIELD ASSY,HDR,DATA DT

English

CAD Files

3D PDF

3D

Customer View Model

[ENG_CVM_CVM_9-2370706-1_A.2d_dxf.zip](#)

English

Customer View Model

[ENG_CVM_CVM_9-2370706-1_A.3d_igs.zip](#)

English

Customer View Model

[ENG_CVM_CVM_9-2370706-1_A.3d_stp.zip](#)

English

By downloading the CAD file I accept and agree to the [Terms and Conditions](#) of use.



[Product Specifications](#)

[Application Specification](#)

English