



Application Tooling > Insertion & Extraction Tools



Insertion & Extraction Tool Type: **Secondary Housing Lock**

### Features

#### Product Type Features

Insertion & Extraction Tool Type	Secondary Housing Lock
----------------------------------	------------------------

### Product Compliance

[For compliance documentation, visit the product page on TE.com>](#)

EU RoHS Directive 2011/65/EU	Compliant
EU ELV Directive 2000/53/EC	Out of Scope
China RoHS 2 Directive MIIT Order No 32, 2016	No Restricted Materials Above Threshold
EU REACH Regulation (EC) No. 1907/2006	Current ECHA Candidate List: JAN 2025 (247) Candidate List Declared Against: JUNE 2024 (241) Does not contain REACH SVHC
Halogen Content	Low Halogen - Br, Cl, F, I < 900 ppm per homogenous material. Also BFR/CFR/PVC Free
Solder Process Capability	Not applicable for solder process capability

#### Product Compliance Disclaimer

This information is provided based on reasonable inquiry of our suppliers and represents our current actual knowledge based on the information they provided. This information is subject to change. The part numbers that TE has identified as EU RoHS compliant have a maximum concentration of 0.1% by weight in homogenous materials for lead, hexavalent chromium, mercury, PBB, PBDE, DBP, BBP, DEHP, DIBP, and 0.01% for cadmium, or qualify for an exemption to these limits as defined in the Annexes of Directive 2011/65/EU (RoHS2). Finished electrical and electronic equipment products will be CE marked as required by Directive 2011/65/EU. Components may not be CE marked. Additionally, the part numbers that TE has identified as EU ELV compliant have a maximum concentration of 0.1% by weight in homogenous materials for lead, hexavalent chromium, and mercury, and 0.01% for cadmium, or qualify for an exemption to these limits as defined in the Annexes of Directive 2000/53/EC (ELV). Regarding the REACH Regulation, the information TE provides on SVHC in articles for this part number is based on the latest European Chemicals Agency (ECHA) 'Guidance on requirements for substances in articles' posted at this URL: <https://echa.europa.eu/guidance-documents/guidance-on-reach>

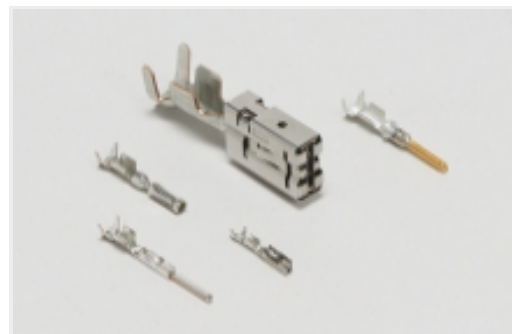
## Also in the Series | AMP Superseal 1.5mm Series



Automotive Connector Caps & Covers (1)



Automotive Housings(23)



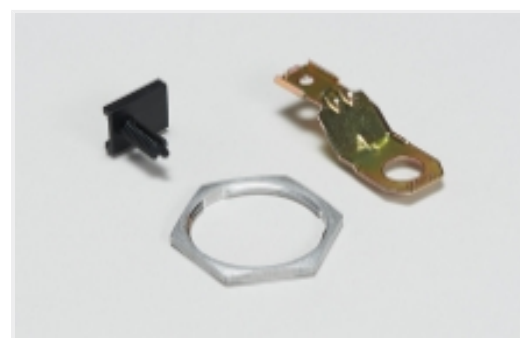
Automotive Terminals(16)



Connector Seals & Cavity Plugs(6)



Insertion & Extraction Tools(3)



Other Automotive Connector Accessories(1)

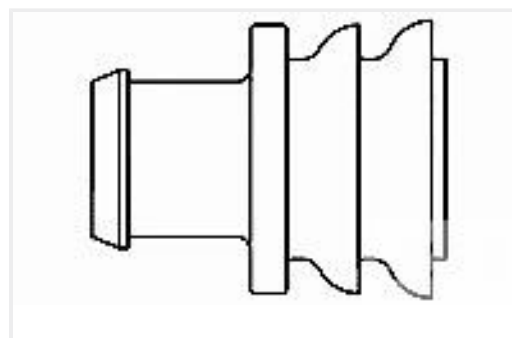
## Customers Also Bought



TE Part #CAT-AM71-CH8172  
AMP SUPERSEAL 1.5MM,  
CONNECTOR HOUSING



TE Part #1-1579007-0  
EXTRACTION TOOL



TE Part #281934-2  
SINGLE WIRE SEAL



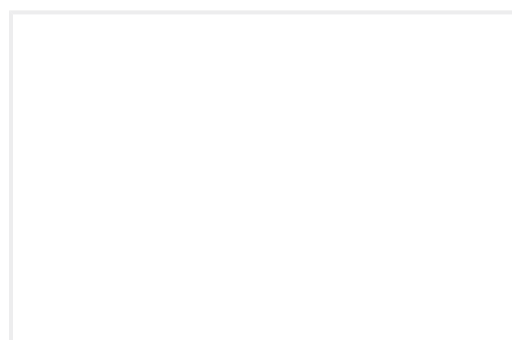
TE Part #151730  
22-16 PIDG R/T 2BA NYLON EXP.1



TE Part #3-1564412-1  
18POS,TAB 1.6X0.6,TAB HSG,ASSY



TE Part #HDP26-24-14PN  
PLG, 14P, BLK, N, 4/12/16, P



TE Part #MK3-RS8  
TOOL.RS8.

## Documents

### Instruction Sheets

#### AMP SUPERSEAL 1.5 SERIES

English

#### Customer Manual (non U.S.)

English

