

745886-1 ✓ ACTIVE

AMPLIMITE | AMPLIMITE HD-20

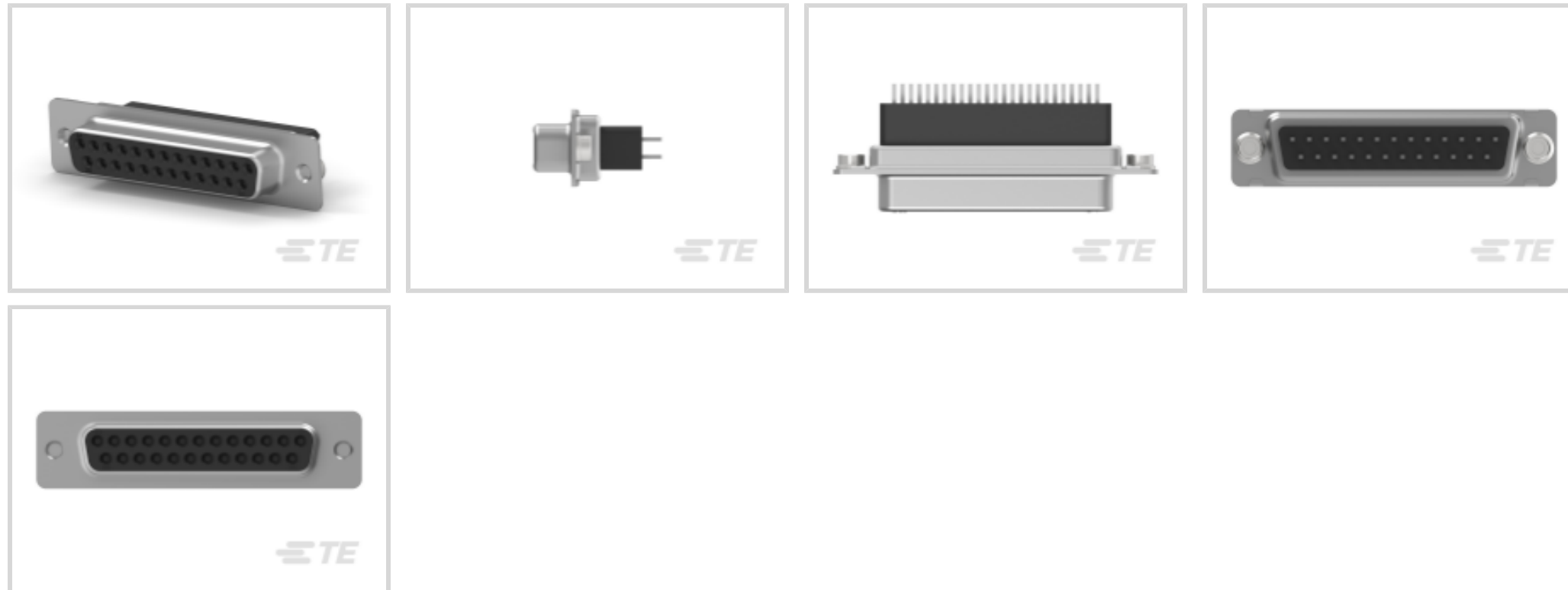
TE Internal #: 745886-1

25 Position D-Shaped Connector, Receptacle, Board-to-Board,  
Board Mount, 3 Shell Size, 2.77 mm [.109 in] Centerline, AMPLIMITE  
HD-20

[View on TE.com >](#)



Connectors > D-Shaped Connectors > D-Sub Receptacle Assembly: Vertical, Shell Size 3, 2.77mm



Number of Positions: 25

Connector & Housing Type: Receptacle

Connector System: Board-to-Board

Connector Mounting Type: Board Mount

Connector Shell Size: 3

[All D-Sub Receptacle Assembly: Vertical, Shell Size 3, 2.77mm \(35\)](#)

## Features

### Product Type Features

Shell Material Configuration	Full Metal Shell
Connector & Housing Type	Receptacle
Connector System	Board-to-Board
Connector Shell Size	3
Connector & Contact Terminates To	Printed Circuit Board

### Configuration Features

PCB Mount Orientation	Vertical
Number of Rows	2
Number of Positions	25

### Body Features

Insert Material	Thermoplastic
Shell Plating Material	Tin



Primary Product Color	Black
-----------------------	-------

Connector Profile	High
-------------------	------

### Contact Features

Contact Underplating Material	Palladium Nickel
-------------------------------	------------------

30 µin

Contact Shape & Form	Square
----------------------	--------

Contact Mating Area Plating Material	Gold (Au)
--------------------------------------	-----------

Contact Base Material	Phosphor Bronze
-----------------------	-----------------

PCB Contact Termination Area Plating Material	Tin-Lead
---	----------

Contact Current Rating (Max)	6 A
------------------------------	-----

Contact Options	Installed
-----------------	-----------

### Termination Features

Termination Method to PCB	Through Hole - Solder
---------------------------	-----------------------

Termination Post & Tail Length	3.18 mm [.125 in]
--------------------------------	-------------------

Square Termination Post & Tail Dimension	.63 mm [.025 in]
--	------------------

### Mechanical Attachment

Mating Retention Type	Clinch Nut, 4-40 UNC
-----------------------	----------------------

PCB Mount Retention	With
---------------------	------

Mounting Hole Diameter	3.05 mm [.12 in]
------------------------	------------------

Mating Retention	With
------------------	------

PCB Mount Retention Type	Mounting Hole
--------------------------	---------------

Connector Mounting Type	Board Mount
-------------------------	-------------

### Housing Features

Housing Material	Nylon GF, PBT GF
------------------	------------------

Shell Material	Carbon Steel
----------------	--------------

Centerline (Pitch)	2.77 mm [.109 in]
--------------------	-------------------

### Dimensions

Row-to-Row Spacing	2.84 mm [.112 in]
--------------------	-------------------

PCB Thickness (Recommended)	1.57 – 2.36 mm [.062 – .093 in]
-----------------------------	---------------------------------

### Usage Conditions

Operating Temperature Range	-55 – 105 °C [-67 – 221 °F]
-----------------------------	-----------------------------

### Operation/Application



Circuit Application

Signal

### Industry Standards

UL Flammability Rating

UL 94V-0

Compatible With Approved Standards Products

UL E28476

### Packaging Features

Packaging Quantity

10

Packaging Method

Tube

### Product Compliance

For compliance documentation, visit the product page on [TE.com](https://www.te.com)>

EU RoHS Directive 2011/65/EU

Not Compliant

EU ELV Directive 2000/53/EC

Compliant with Exemptions

China RoHS 2 Directive MIIT Order No 32, 2016

Restricted Materials Above Threshold

EU REACH Regulation (EC) No. 1907/2006

Current ECHA Candidate List: JAN 2025  
(247)  
Candidate List Declared Against: JAN 2025  
(247)  
SVHC > Threshold:  
Pb (13% in 4690948374)  
**Article Safe Usage Statements:**  
Do not eat, drink or smoke when using this product. Wash thoroughly after handling. Recycle if possible and dispose of the article by following all applicable governmental regulations relevant to your geographic location.

Halogen Content

Not Low Halogen - contains Br or Cl &gt; 900 ppm.

Solder Process Capability

Not lead free process capable

#### Product Compliance Disclaimer

This information is provided based on reasonable inquiry of our suppliers and represents our current actual knowledge based on the information they provided. This information is subject to change. The part numbers that TE has identified as EU RoHS compliant have a maximum concentration of 0.1% by weight in homogenous materials for lead, hexavalent chromium, mercury, PBB, PBDE, DBP, BBP, DEHP, DIBP, and 0.01% for cadmium, or qualify for an exemption to these limits as defined in the Annexes of Directive 2011/65/EU (RoHS2). Finished electrical and electronic equipment products will be CE marked as required by Directive 2011/65/EU. Components may not be CE marked. Additionally, the part numbers that TE has identified as EU ELV compliant have a maximum concentration of 0.1% by weight in homogenous materials for lead, hexavalent chromium, and mercury, and 0.01% for cadmium, or qualify for an exemption to these limits as defined in the Annexes of Directive 2000/53/EC (ELV). Regarding the REACH Regulation, the information TE provides on SVHC in articles for this part number is based on the latest European Chemicals Agency (ECHA) 'Guidance on requirements for substances in articles' posted at this URL: <https://echa.europa.eu/guidance-documents/guidance-on-reach>

### Compatible Parts



Also in the Series | **AMPLIMITE HD-20**



Customers Also Bought





## Documents

### Product Drawings

[25 RCPT SP/MS CNUT](#)

English

---

### CAD Files

[3D PDF](#)

3D

Customer View Model

[ENG\\_CVM\\_CVM\\_745886-1\\_Z.2d\\_dxf.zip](#)

English

Customer View Model

[ENG\\_CVM\\_CVM\\_745886-1\\_Z.3d\\_igs.zip](#)

English

Customer View Model

[ENG\\_CVM\\_CVM\\_745886-1\\_Z.3d\\_stp.zip](#)

English

By downloading the CAD file I accept and agree to the [Terms and Conditions](#) of use.

---

### Product Specifications

[Application Specification](#)

English