

7-747840-1 ✓ ACTIVE

AMPLIMITE | AMPLIMITE HD-20

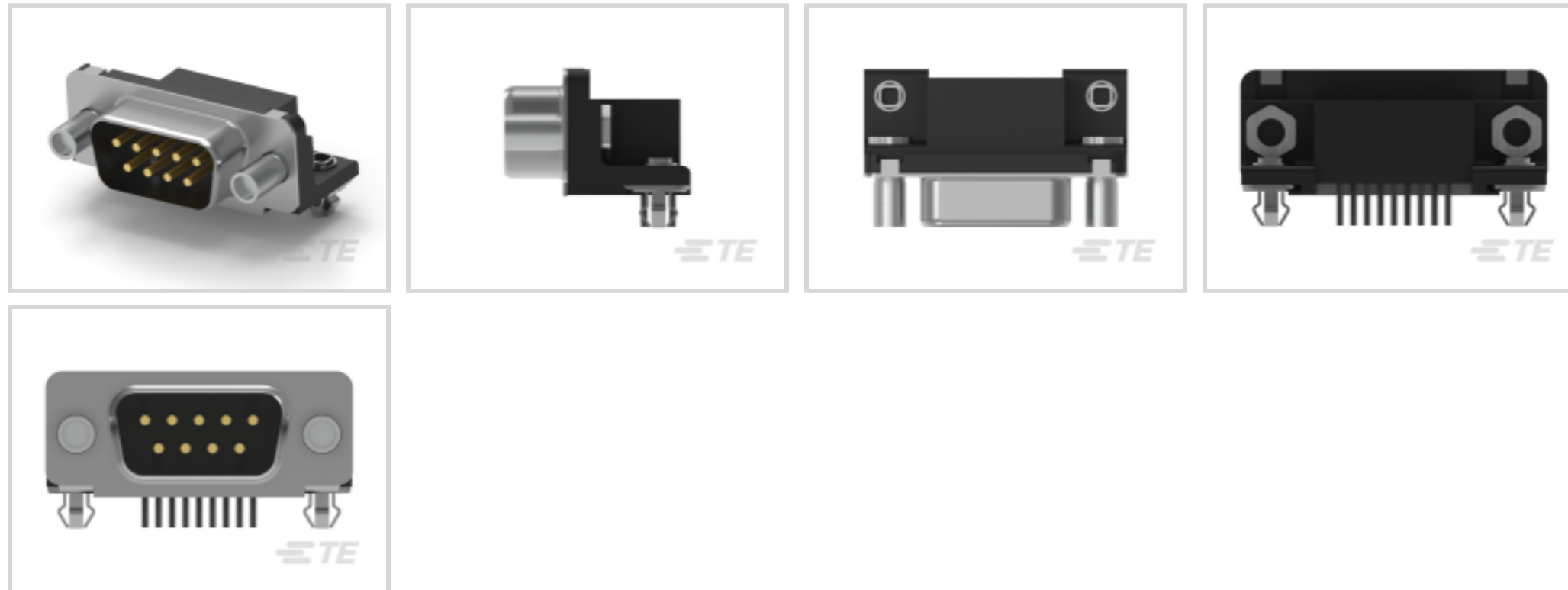
TE Internal #: 7-747840-1

9 Position D-Shaped Connector, Plug, Board-to-Board, Board Mount, 1 Shell Size, 2.74 mm [.108 in] Centerline, Printed Circuit Board, AMPLIMITE HD-20

[View on TE.com >](#)



Connectors > D-Shaped Connectors > D-Sub Plug Assembly: Standard, Right Angle, Shell Size 1, 2.74mm



Number of Positions: 9

Connector & Housing Type: Plug

Connector System: Board-to-Board

Connector Mounting Type: Board Mount

Connector Shell Size: 1

[All D-Sub Plug Assembly: Standard, Right Angle, Shell Size 1, 2.74mm \(43\)](#)

## Features

### Product Type Features

Ground Feature Type	Grounding Indents, Grounding Straps
Shell Material Configuration	Front Metal Shell
Connector & Housing Type	Plug
Connector System	Board-to-Board
Connector Shell Size	1
Connector & Contact Terminates To	Printed Circuit Board

### Configuration Features

PCB Mount Orientation	Right Angle
Number of Rows	2
Number of Positions	9

### Body Features

Assembly Process Feature Material	Copper Alloy
-----------------------------------	--------------



Shell Plating Material	Tin
Mating Feature Material	Zinc
Mating Feature Plating Material	Clear Chromate
Primary Product Color	Black
Connector Profile	Standard

### Contact Features

Contact Underplating Material	Palladium Nickel
	30 µin
Contact Shape & Form	Round
Contact Mating Area Plating Material	Gold (Au)
Contact Base Material	Brass
PCB Contact Termination Area Plating Material	Tin-Lead
Contact Current Rating (Max)	6 A
Contact Options	Installed

### Termination Features

Termination Post & Tail Diameter	.66 mm[.026 in]
Termination Method to PCB	Through Hole - Solder
Termination Post & Tail Length	3.18 mm[.125 in]

### Mechanical Attachment

Mating Retention Type	Female Screwlocks, Fixed
PCB Mount Retention	With
Mounting Feature Plating Material	Tin over Copper Flash
Mounting Feature Material	Brass
Mounting Hole Diameter	3.18 mm[.125 in]
Mating Retention	With
PCB Mount Retention Type	Boardlock
Assembly Process Feature Plating Material	Tin over Nickel
Connector Mounting Type	Board Mount

### Housing Features

Housing Material	Nylon GF, Polyester GF
Shell Material	Steel
Centerline (Pitch)	2.74 mm[.108 in]



**Dimensions**

Row-to-Row Spacing	2.84 mm[.112 in]
PCB Thickness (Recommended)	1.57 mm[.062 in]

**Usage Conditions**

Operating Temperature Range	-55 – 105 °C[-67 – 221 °F]
-----------------------------	----------------------------

**Operation/Application**

Circuit Application	Signal
---------------------	--------

**Industry Standards**

UL Flammability Rating	UL 94V-0
Compatible With Approved Standards Products	UL E28476

**Packaging Features**

Packaging Quantity	130
Packaging Method	Tray

**Product Compliance**

[For compliance documentation, visit the product page on TE.com>](#)

EU RoHS Directive 2011/65/EU	Not Compliant
EU ELV Directive 2000/53/EC	Compliant with Exemptions
China RoHS 2 Directive MIIT Order No 32, 2016	Restricted Materials Above Threshold
EU REACH Regulation (EC) No. 1907/2006	Current ECHA Candidate List: JAN 2025 (247) Candidate List Declared Against: JAN 2025 (247) SVHC > Threshold: Pb (13% in 4690948374) <b>Article Safe Usage Statements:</b> Do not eat, drink or smoke when using this product. Wash thoroughly after handling. Recycle if possible and dispose of the article by following all applicable governmental regulations relevant to your geographic location.
Halogen Content	BFR/CFR/PVC Free, but Br/Cl >900 ppm in other sources.
Solder Process Capability	Wave solder capable to 265°C

Product Compliance Disclaimer

This information is provided based on reasonable inquiry of our suppliers and represents our current actual knowledge based on the information they provided. This information is subject to change. The part numbers that TE has identified as EU RoHS compliant have a maximum concentration of 0.1% by weight in homogenous materials for lead, hexavalent chromium, mercury, PBB, PBDE, DBP, BBP, DEHP, DIBP, and 0.01% for cadmium, or qualify for an exemption to these limits as defined in the Annexes of Directive 2011/65/EU (RoHS2). Finished electrical and electronic equipment products will be CE marked as required by Directive 2011/65/EU. Components may not be CE marked. Additionally, the part numbers that TE has identified as EU ELV compliant have a maximum concentration of 0.1% by weight in homogenous

materials for lead, hexavalent chromium, and mercury, and 0.01% for cadmium, or qualify for an exemption to these limits as defined in the Annexes of Directive 2000/53/EC (ELV). Regarding the REACH Regulation, the information TE provides on SVHC in articles for this part number is based on the latest European Chemicals Agency (ECHA) 'Guidance on requirements for substances in articles' posted at this URL: <https://echa.europa.eu/guidance-documents/guidance-on-reach>

## Compatible Parts



TE Part # CAT-AM7-248H8  
IDC D-Sub: Receptacle Assembly, Wire to Wire, Signal, 2.74 mm



TE Part # 747516-7  
09 HDE PMOLD RCPT, LEAD FREE

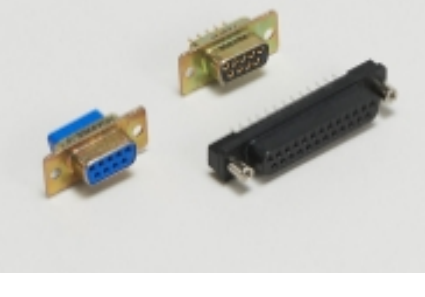


TE Part # 1-747943-5  
KIT,RCPT,9P,HDE,SHLD ENCLSRE



TE Part # CAT-AM7-253  
IDC D-Sub: Receptacle Assembly, Low Profile, Signal, 2.77 mm

## Also in the Series | AMPLIMITE HD-20



D-Shaped Connectors(285)



PCB D-Sub Connectors(285)

## Customers Also Bought



TE Part #144969-1  
MQS0,63 Sn rec LL unseal. 0,2-0,6



TE Part #185879-1  
26W MQS COVER ASSY YELLOW



TE Part #1625854-3  
0603 PROBE PAD



TE Part #185875-1  
26POS MQS REC



TE Part #321045  
TERMINAL,PIDG R 16-14 1/4



TE Part #7-1618387-1  
LEV200A5ANA=RELAY, SPST-NO



TE Part #5745396-2  
HD-20 RCPT 15P RA 318 FFSCRLK



TE Part #1393774-8  
V23026A1002B201

## Documents



### Product Drawings

#### 9P RA MSFL 318 PLUG

English

---

### CAD Files

#### Customer View Model

[ENG\\_CVM\\_CVM\\_7-747840-1\\_AC.2d\\_dxf.zip](#)

English

#### 3D PDF

3D

#### Customer View Model

[ENG\\_CVM\\_CVM\\_7-747840-1\\_AC.3d\\_igs.zip](#)

English

#### Customer View Model

[ENG\\_CVM\\_CVM\\_7-747840-1\\_AC.3d\\_stp.zip](#)

English

By downloading the CAD file I accept and agree to the [Terms and Conditions](#) of use.

---

### Product Specifications

#### Application Specification

English

---

### Agency Approvals

#### UL Report

English