

3VAQ8F x OBSOLETE

[Corcom](#) | [Corcom AQ](#)

TE Internal #: 6609058-1

TE Internal Description: 3VAQ8F D0=F7426

Single Phase Filters, Corcom AQ Series

[View on TE.com >](#)



[EMI & EMC Solutions](#) > [EMI Filters](#) > [Power Line Filters](#) > [Single Phase Filters](#) > [Single Phase Filters, Corcom AQ Series](#)



Current Rating: **3 A**

Input Termination Type: **IEC**

Output Termination Type: **Wire Lead**

Leakage Current (Max) (120VAC, 60Hz): **1.2 mA**

Leakage Current (Max) (250VAC, 50Hz): **2.3 mA**

[All Single Phase Filters, Corcom AQ Series \(0\)](#)

Features

Product Type Features

Filtering Requirements	Filtered
Ground Choke Option	No
Input Termination Type	IEC
Output Termination Type	Wire Lead

Electrical Characteristics

Current Rating	3 A
Leakage Current (Max) (120VAC, 60Hz)	1.2 mA
Leakage Current (Max) (250VAC, 50Hz)	2.3 mA
Operating Voltage	250 VAC

Mechanical Attachment

Product Mount Type	Panel Mount
--------------------	-------------

Product Compliance

[For compliance documentation, visit the product page on TE.com>](#)

EU RoHS Directive 2011/65/EU	Compliant with Exemptions
EU ELV Directive 2000/53/EC	Compliant with Exemptions
China RoHS 2 Directive MIIT Order No 32, 2016	Restricted Materials Above Threshold

EU REACH Regulation (EC) No. 1907/2006

Current ECHA Candidate List: JAN 2025 (247)

Candidate List Declared Against: JAN 2023 (233)

Does not contain REACH SVHC

Halogen Content

Not Low Halogen - contains Br or Cl > 900 ppm.

Solder Process Capability

Not applicable for solder process capability

Product Compliance Disclaimer

This information is provided based on reasonable inquiry of our suppliers and represents our current actual knowledge based on the information they provided. This information is subject to change. The part numbers that TE has identified as EU RoHS compliant have a maximum concentration of 0.1% by weight in homogenous materials for lead, hexavalent chromium, mercury, PBB, PBDE, DBP, BBP, DEHP, DIBP, and 0.01% for cadmium, or qualify for an exemption to these limits as defined in the Annexes of Directive 2011/65/EU (RoHS2). Finished electrical and electronic equipment products will be CE marked as required by Directive 2011/65/EU. Components may not be CE marked. Additionally, the part numbers that TE has identified as EU ELV compliant have a maximum concentration of 0.1% by weight in homogenous materials for lead, hexavalent chromium, and mercury, and 0.01% for cadmium, or qualify for an exemption to these limits as defined in the Annexes of Directive 2000/53/EC (ELV). Regarding the REACH Regulation, the information TE provides on SVHC in articles for this part number is based on the latest European Chemicals Agency (ECHA) 'Guidance on requirements for substances in articles' posted at this URL: <https://echa.europa.eu/guidance-documents/guidance-on-reach>

Also in the Series

Customers Also Bought



TE Part #114017-ZZ
SEALING PLUG, SIZE 12/16, WHT



TE Part #CAT-D48-ST273
DEUTSCH Solid Contacts



TE Part #CAT-D487-W416
Wedgelocks: DEUTSCH DT



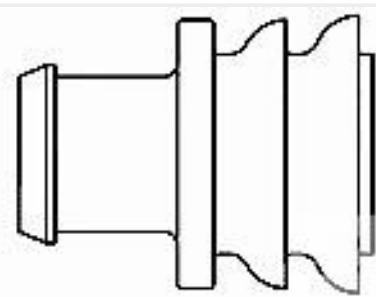
TE Part #DT06-2S
PLG, 2P, GRY, N



TE Part #DT04-2P
REC, 2P, GRY, N



TE Part #CAT-AM71-CH8172
AMP SUPERSEAL 1.5MM,
CONNECTOR HOUSING



TE Part #281934-2
SINGLE WIRE SEAL

Documents

Datasheets & Catalog Pages

[1654001_Corcom_Product_Guide_AQ_Series](#)



English

[Corcom Combined Selector Charts](#)

English

[1-1654250-1_CORCOM_EMI_RFI_QRG](#)

English