

AMPLIMITE

TE Internal #: 5786144-1

TE Internal Description: 15 RCPT ACT PIN/MS SCRLK

[View on TE.com >](#)

Connectors > D-Shaped Connectors



Number of Positions: 15

Connector & Housing Type: Receptacle

Connector System: Board-to-Board

Connector Mounting Type: Board Mount

Connector Shell Size: 2

Features

Product Type Features

Shell Material Configuration	Front Metal Shell
Connector & Housing Type	Receptacle
Connector System	Board-to-Board
Connector Shell Size	2
Connector & Contact Terminates To	Printed Circuit Board

Configuration Features

PCB Mount Orientation	Vertical
Number of Rows	2
Number of Positions	15

Body Features

Shell Plating Material	Tin over Copper
Mating Feature Material	Brass
Primary Product Color	Black
Connector Profile	Standard

Contact Features

Contact Underplating Material	Nickel, Palladium Nickel
	30 µin
Contact Mating Area Plating Material	Gold (Au)
Contact Base Material	Copper Alloy

PCB Contact Termination Area Plating Material	Tin
---	-----

Contact Options	Installed
-----------------	-----------

Termination Features

Rectangular Termination Post & Tail Width	.86 mm[.034 in]
---	-----------------

Rectangular Termination Post & Tail Thickness	.63 mm[.025 in]
---	-----------------

Termination Method to PCB	Through Hole - Press-Fit
---------------------------	--------------------------

Termination Post & Tail Length	5.8 mm[.228 in]
--------------------------------	-----------------

Mechanical Attachment

Mating Retention Type	Female Screwlocks, Fixed
-----------------------	--------------------------

PCB Mount Retention	With
---------------------	------

Mounting Hole Diameter	3.05 mm[.12 in]
------------------------	-----------------

Mating Retention	With
------------------	------

PCB Mount Retention Type	Action/Compliant Tail, Mounting Hole
--------------------------	--------------------------------------

Connector Mounting Type	Board Mount
-------------------------	-------------

Housing Features

Housing Material	Nylon GF, Polyester GF
------------------	------------------------

Shell Material	Carbon Steel
----------------	--------------

Centerline (Pitch)	2.74 mm[.108 in]
--------------------	------------------

Dimensions

Row-to-Row Spacing	2.84 mm[.112 in]
--------------------	------------------

PCB Thickness (Recommended)	1.57 mm, 2.36 mm[.062 in][.093 in]
-----------------------------	------------------------------------

Usage Conditions

Operating Temperature Range	-55 – 105 °C[-67 – 221 °F]
-----------------------------	----------------------------

Operation/Application

Circuit Application	Signal
---------------------	--------

Industry Standards

UL Flammability Rating	UL 94V-0
------------------------	----------

Packaging Features

Packaging Quantity	104
--------------------	-----

Packaging Method	Tray
------------------	------

Product Compliance




[For compliance documentation, visit the product page on TE.com>](#)

EU RoHS Directive 2011/65/EU	Compliant with Exemptions
EU ELV Directive 2000/53/EC	Compliant with Exemptions
China RoHS 2 Directive MIIT Order No 32, 2016	Restricted Materials Above Threshold
EU REACH Regulation (EC) No. 1907/2006	<p>Current ECHA Candidate List: JAN 2025 (247)</p> <p>Candidate List Declared Against: JAN 2024 (240)</p> <p>SVHC > Threshold:</p> <p>Pb (3.7% in Component Part)</p> <p>Article Safe Usage Statements: Do not eat, drink or smoke when using this product. Wash thoroughly after handling. Recycle if possible and dispose of the article by following all applicable governmental regulations relevant to your geographic location.</p>
Halogen Content	Not Low Halogen - contains Br or Cl > 900 ppm.
Solder Process Capability	Not applicable for solder process capability

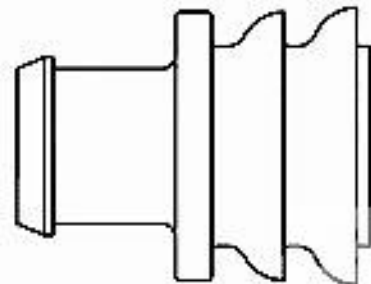
Product Compliance Disclaimer

This information is provided based on reasonable inquiry of our suppliers and represents our current actual knowledge based on the information they provided. This information is subject to change. The part numbers that TE has identified as EU RoHS compliant have a maximum concentration of 0.1% by weight in homogenous materials for lead, hexavalent chromium, mercury, PBB, PBDE, DBP, BBP, DEHP, DIBP, and 0.01% for cadmium, or qualify for an exemption to these limits as defined in the Annexes of Directive 2011/65/EU (RoHS2). Finished electrical and electronic equipment products will be CE marked as required by Directive 2011/65/EU. Components may not be CE marked. Additionally, the part numbers that TE has identified as EU ELV compliant have a maximum concentration of 0.1% by weight in homogenous materials for lead, hexavalent chromium, and mercury, and 0.01% for cadmium, or qualify for an exemption to these limits as defined in the Annexes of Directive 2000/53/EC (ELV). Regarding the REACH Regulation, the information TE provides on SVHC in articles for this part number is based on the latest European Chemicals Agency (ECHA) 'Guidance on requirements for substances in articles' posted at this URL: <https://echa.europa.eu/guidance-documents/guidance-on-reach>

Customers Also Bought



TE Part #CAT-AM71-CH8172
AMP SUPERSEAL 1.5MM, CONNECTOR HOUSING



TE Part #281934-2
SINGLE WIRE SEAL



TE Part #CAT-D48-ST273
DEUTSCH Solid Contacts



TE Part #CAT-D487-W416
Wedgelocks: DEUTSCH DT



Documents

Product Drawings

[15 RCPT ACT PIN/MS SCRLK](#)

English

CAD Files

Customer View Model

[ENG_CVM_CVM_5786144-1_B.2d_dxf.zip](#)

English

[3D PDF](#)

3D

Customer View Model

[ENG_CVM_CVM_5786144-1_B.3d_igs.zip](#)

English

Customer View Model

[ENG_CVM_CVM_5786144-1_B.3d_stp.zip](#)

English

By downloading the CAD file I accept and agree to the [Terms and Conditions](#) of use.

Product Specifications

[Application Specification](#)

English

Agency Approvals

[UL Report](#)

English