

5767171-1 ✓ ACTIVE

MICTOR

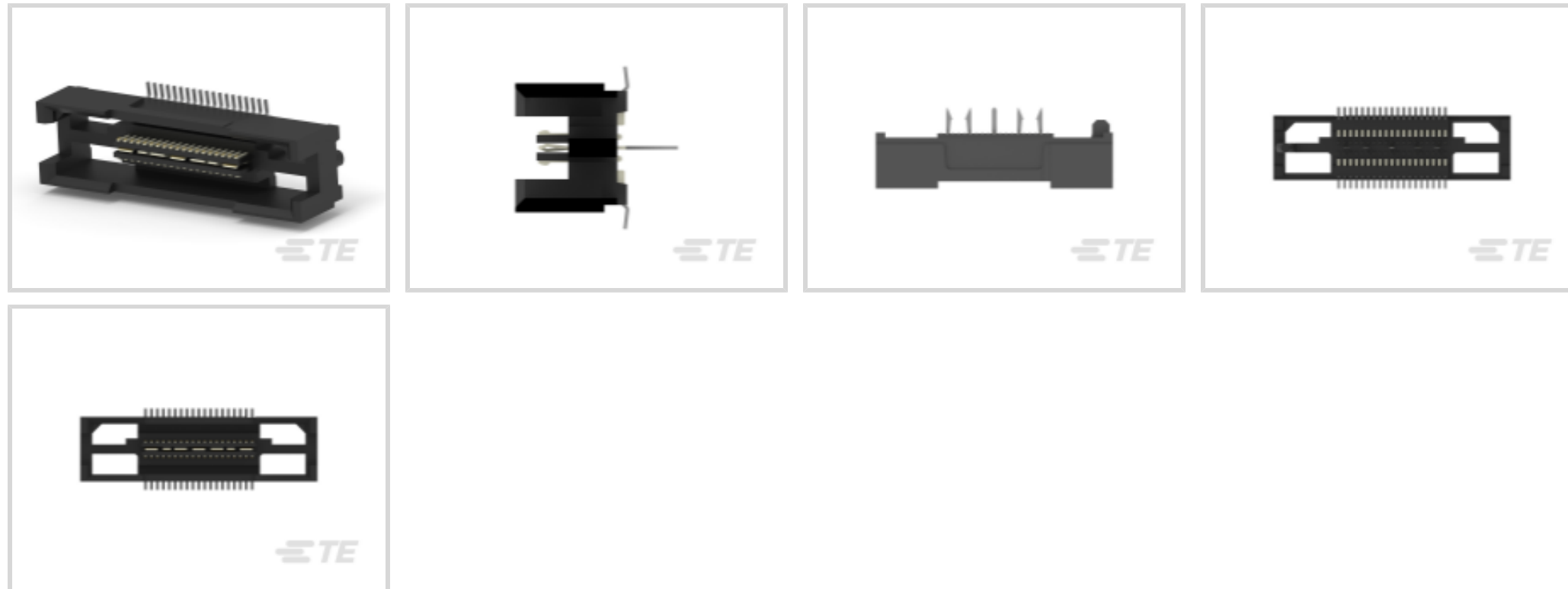
TE Internal #: 5767171-1

PCB Mount Receptacle, Vertical, Board-to-Board, 38 Position, .64 mm / 24 mm [.945 in] Centerline, Fully Shrouded, Gold (Au), Surface Mount, Signal

[View on TE.com >](#)



Connectors > PCB Connectors > PCB Headers & Receptacles



PCB Connector Type: **PCB Mount Receptacle**

PCB Mount Orientation: **Vertical**

Connector System: **Board-to-Board**

Number of Positions: **38**

Centerline (Pitch): **.64 mm, 24 mm [.945 in]**

Features

Product Type Features

Ground Feature Type	Ground Bus
PCB Connector Type	PCB Mount Receptacle
Connector System	Board-to-Board
Header Type	Fully Shrouded
Sealable	No
Connector & Contact Terminates To	Printed Circuit Board
Connector Product Type	Connector Assembly

Configuration Features

Number of Columns	19
Number of Signal Positions	38
Number of Power Positions	1
Board-to-Board Configuration	Parallel
Stackable	No
PCB Mount Orientation	Vertical



Number of Positions	38
---------------------	----

Electrical Characteristics

Operating Voltage	1 VDC
Impedance	50 Ω
Insulation Resistance	2 M Ω
Dielectric Withstanding Voltage (Max)	500 VAC

Signal Characteristics

Data Rate	10 Gb/s
Differential Signaling	Yes

Body Features

Primary Product Color	Black
-----------------------	-------

Contact Features

Contact Underplating Material	Nickel
PCB Contact Termination Area Plating Material Finish	Matte
Contact Mating Area Plating Material Thickness	.76 μm [29.92 μin]
PCB Contact Termination Area Plating Material Thickness	3.81 – 6.35 μm [150 – 250 μin]
Contact Shape & Form	Dual Beam
Contact Layout	Inline
Contact Mating Area Length	1.63 mm[.064 in]
Contact Base Material	Copper Alloy
PCB Contact Termination Area Plating Material	Tin
Contact Mating Area Plating Material Finish	Matte
Contact Mating Area Plating Material	Gold (Au)
Contact Type	Socket
Contact Current Rating (Max)	11.5 A

Termination Features

Rectangular Termination Post & Tail Width	.53 mm[.021 in]
Rectangular Termination Post & Tail Thickness	.2 mm[.008 in]
Termination Method to PCB	Surface Mount

Mechanical Attachment

Mating Retention	With
PCB Mount Alignment Type	Locating Posts



PCB Mount Retention	With
PCB Mount Alignment	With
Connector Mounting Type	Board Mount
Mating Alignment	Without

Housing Features

Mating Entry Location	Top
Housing Material	Matte
Centerline (Pitch)	.64 mm, 24 mm [.945 in]

Dimensions

Stack Height	2.5 mm, 6.6 mm, 9 mm, 10.92 mm, 17.96 mm, 18.75 mm, 20 mm, 22.86 mm [.9 in]
Connector Width	6.9 mm [.272 in]
PCB Thickness (Recommended)	1.57 mm [.8 in]
Connector Height	5.99 mm [.236 in]
Connector Length	25.4 mm [1 in]

Usage Conditions

Operating Temperature Range	-55 – 125 °C [-67 – 257 °F]
-----------------------------	-----------------------------

Operation/Application

Circuit Application	Signal
---------------------	--------

Industry Standards

Compatible With Agency/Standards Products	CSA, UL
UL Rating	Listed
Compatible With Approved Standards Products	CSA 1195944, UL E28476
UL Flammability Rating	UL 94V-0

Packaging Features

Packaging Quantity	252
Packaging Method	Tape

Product Compliance

[For compliance documentation, visit the product page on TE.com>](#)

EU RoHS Directive 2011/65/EU	Compliant
EU ELV Directive 2000/53/EC	Compliant



China RoHS 2 Directive MIIT Order No 32, 2016	No Restricted Materials Above Threshold
EU REACH Regulation (EC) No. 1907/2006	Current ECHA Candidate List: JAN 2025 (247) Candidate List Declared Against: JAN 2025 (247) Does not contain REACH SVHC
Halogen Content	Low Halogen - Br, Cl, F, I < 900 ppm per homogenous material. Also BFR/CFR/PVC Free
Solder Process Capability	Reflow solder capable to 260°C

Product Compliance Disclaimer

This information is provided based on reasonable inquiry of our suppliers and represents our current actual knowledge based on the information they provided. This information is subject to change. The part numbers that TE has identified as EU RoHS compliant have a maximum concentration of 0.1% by weight in homogenous materials for lead, hexavalent chromium, mercury, PBB, PBDE, DBP, BBP, DEHP, DIBP, and 0.01% for cadmium, or qualify for an exemption to these limits as defined in the Annexes of Directive 2011/65/EU (RoHS2). Finished electrical and electronic equipment products will be CE marked as required by Directive 2011/65/EU. Components may not be CE marked. Additionally, the part numbers that TE has identified as EU ELV compliant have a maximum concentration of 0.1% by weight in homogenous materials for lead, hexavalent chromium, and mercury, and 0.01% for cadmium, or qualify for an exemption to these limits as defined in the Annexes of Directive 2000/53/EC (ELV). Regarding the REACH Regulation, the information TE provides on SVHC in articles for this part number is based on the latest European Chemicals Agency (ECHA) 'Guidance on requirements for substances in articles' posted at this URL: <https://echa.europa.eu/guidance-documents/guidance-on-reach>

Compatible Parts



TE Part # 5767118-8
MICT,PLG,038,ASY,.025,TAPE PKG



TE Part # 5767119-1
MICT,PLG,038,ASY,.025,TAPE PKG



TE Part # 5767082-1
MICT,495,PLUG,038,PDNI,BARBLES



TE Part # 5767057-1
MICT,495,PLUG,038,PDNI



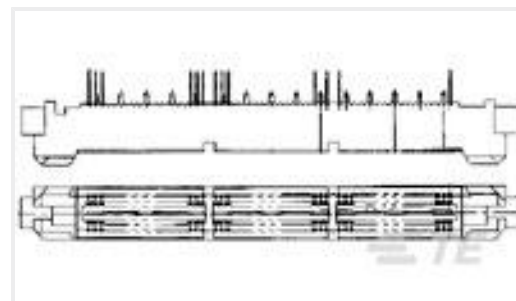
TE Part # 5767149-8
MICTOR PLUG ASSY IN TAPE & REE



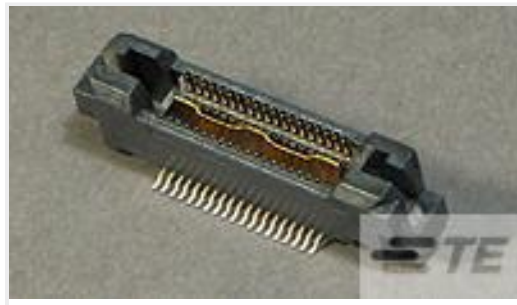
TE Part # 5767042-1
MICT,738PLUG,038,ASSY,.025,EXT



TE Part # 5767121-8
MICT,PLG,038,ASY,.025,TAPE PKG



TE Part # 5767032-1
MICT,788PLUG,38,ASSY,.025,REC



TE Part # 5767119-8
MICT,PLG,038,ASY,.025,TAPE PKG



TE Part # 5767006-1
MICT,R/APLUG,38,ASSY,.025,.062



TE Part # 5767055-1
MICT,R/APLUG,ASSY,38,PDNI



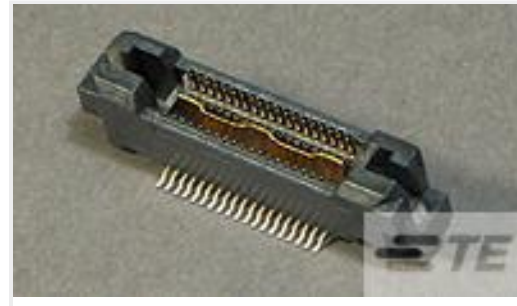
TE Part # 5767005-8
MICT,495PLUG,038,ASSY,.025,REC



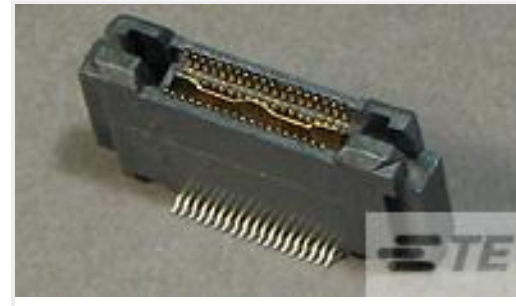
TE Part # 5767017-1
MICT,900PLUG,38,ASSY,.025,REC



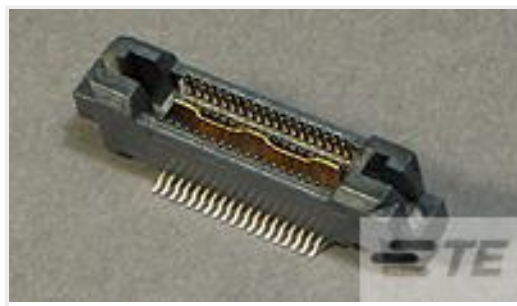
TE Part # 5767025-1
MICTOR .707 PLUG ASSY, 38 POS.



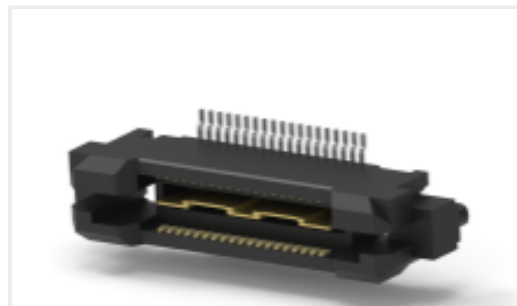
TE Part # 5767111-8
MICT,PLG,038,ASY,.025 TAPE CAP



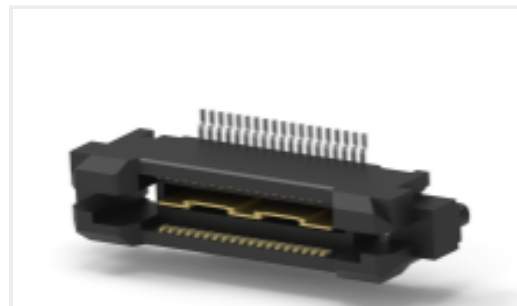
TE Part # 5767149-1
MICTOR PLUG ASSY IN TAPE & REE



TE Part # 5767117-1
MICT,260,PLG,038,ASY,.025,PDNI

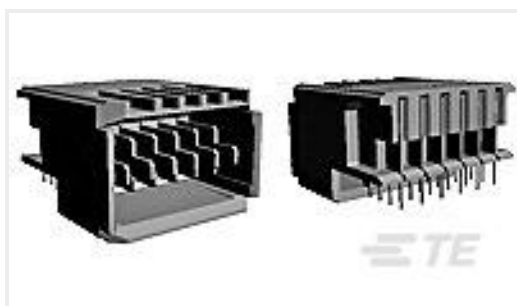


TE Part # 5767056-1
MICT,260,PLUG,38,ASSY,PDNI



TE Part # 5767007-8
MICT,260PLUG,38,ASSY,.025,REC

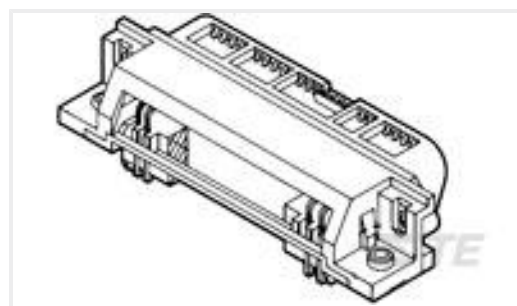
Customers Also Bought



TE Part #120957-1
UPM EXPANDED PIN ASSEMBLY



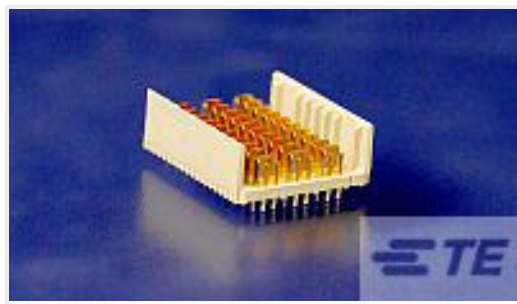
TE Part #2367982-1
2MM HM FEMALE ASSY, COL8



TE Part #5553121-2
ASSY, EMI RCPT, 24 POSN, RTANG



TE Part #2007181-1
SFP+ 1x2 Cage Assy, EMI Gasket



TE Part #2170245-1
HMZD+,3PAIRS,10COLS,VERTICAL, ASSEMBLY



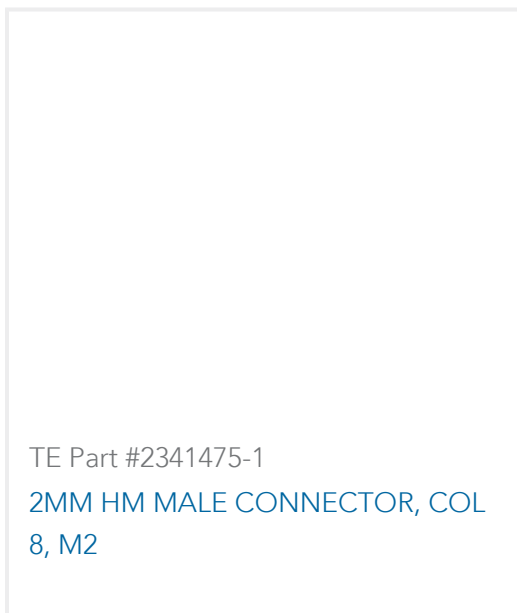
TE Part #2007182-1
SFP Standard 1x2 Light Pipe Assm



TE Part #FX1901-0001-0050-L
FX1901-0001-0050-L



TE Part #6643090-1
CONN,PIN,MINI DRAWER



Documents

Product Drawings

[MICTOR RECEPT ASSY, 38 POS. TA](#)

English

CAD Files

[3D PDF](#)

3D

[Customer View Model](#)

[ENG_CVM_CVM_5767171-1_A.2d_dxf.zip](#)

English

[Customer View Model](#)

[ENG_CVM_CVM_5767171-1_A.3d_igs.zip](#)

English

[Customer View Model](#)

[ENG_CVM_CVM_5767171-1_A.3d_stp.zip](#)

English

By downloading the CAD file I accept and agree to the [Terms and Conditions](#) of use.

Datasheets & Catalog Pages

[MICTOR Interconnection System](#)

English

[Fine Pitch Stacking Connectors - 0.635mm MICTOR Connectors](#)

English

Product Specifications

[Application Specification](#)

English