



AMPLIMITE | AMPLIMITE HD-20

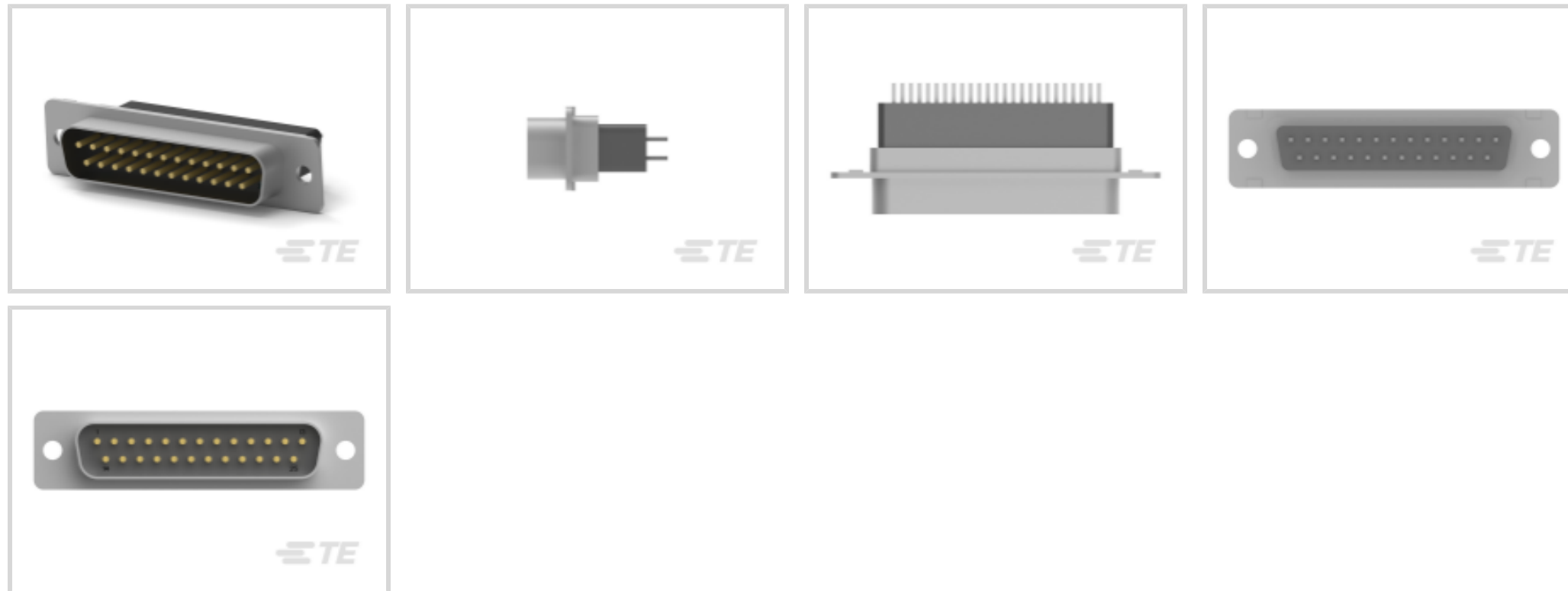
TE Internal #: 5745412-1

TE Internal Description: 25 PLUG SP/MS STD

D-Sub Plug Assembly: Vertical, Shell Size 3, 2.74mm

[View on TE.com >](#)

Connectors > D-Shaped Connectors > D-Sub Plug Assembly: Vertical, Shell Size 3, 2.74mm



Number of Positions: 25

Connector & Housing Type: Plug

Connector System: Board-to-Board

Connector Mounting Type: Board Mount

Connector Shell Size: 3

[All D-Sub Plug Assembly: Vertical, Shell Size 3, 2.74mm \(28\)](#)

Features

Product Type Features

Ground Feature Type	Grounding Indents
Shell Material Configuration	Full Metal Shell
Connector & Housing Type	Plug
Connector System	Board-to-Board
Connector Shell Size	3
Connector & Contact Terminates To	Printed Circuit Board

Configuration Features

PCB Mount Orientation	Vertical
Number of Rows	2
Number of Positions	25

Body Features

Insert Material	Thermoplastic
Shell Plating Material	Tin

Primary Product Color	Black
-----------------------	-------

Connector Profile	Standard
-------------------	----------

Contact Features

Contact Underplating Material	Nickel
-------------------------------	--------

30 µin

Contact Shape & Form	Square
----------------------	--------

Contact Mating Area Plating Material	Gold (Au)
--------------------------------------	-----------

Contact Base Material	Brass
-----------------------	-------

PCB Contact Termination Area Plating Material	Tin
---	-----

Contact Current Rating (Max)	6 A
------------------------------	-----

Contact Options	Installed
-----------------	-----------

Termination Features

Termination Method to PCB	Through Hole - Solder
---------------------------	-----------------------

Termination Post & Tail Length	3.18 mm[.125 in]
--------------------------------	------------------

Square Termination Post & Tail Dimension	.63 mm[.025 in]
--	-----------------

Mechanical Attachment

PCB Mount Retention	Without
---------------------	---------

Mounting Hole Diameter	3.05 mm[.12 in]
------------------------	-----------------

Mating Retention	Without
------------------	---------

Connector Mounting Type	Board Mount
-------------------------	-------------

Housing Features

Housing Material	Thermoplastic
------------------	---------------

Shell Material	Carbon Steel
----------------	--------------

Centerline (Pitch)	2.77 mm[.109 in]
--------------------	------------------

Dimensions

Row-to-Row Spacing	2.84 mm[.112 in]
--------------------	------------------

PCB Thickness (Recommended)	1.57 – 2.36 mm[.062 – .093 in]
-----------------------------	--------------------------------

Usage Conditions

Operating Temperature Range	-55 – 105 °C[-67 – 221 °F]
-----------------------------	----------------------------

Operation/Application

Shielded	No
----------	----

Circuit Application	Signal
---------------------	--------

Industry Standards

UL Flammability Rating	UL 94V-0
------------------------	----------

Packaging Features

Packaging Quantity	10
Packaging Method	Tube

Product Compliance

[For compliance documentation, visit the product page on TE.com>](#)

EU RoHS Directive 2011/65/EU	Compliant
EU ELV Directive 2000/53/EC	Compliant
China RoHS 2 Directive MIIT Order No 32, 2016	No Restricted Materials Above Threshold
EU REACH Regulation (EC) No. 1907/2006	Current ECHA Candidate List: JAN 2025 (247) Candidate List Declared Against: JUNE 2024 (241) Does not contain REACH SVHC
Halogen Content	Not Low Halogen - contains Br or Cl > 900 ppm.
Solder Process Capability	Wave solder capable to 265°C

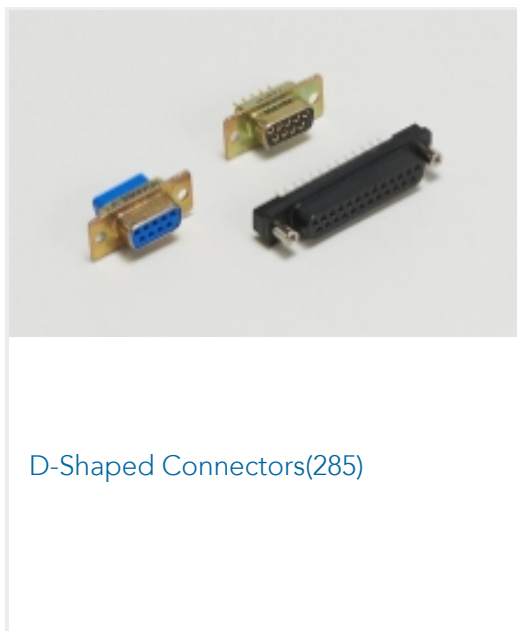
Product Compliance Disclaimer

This information is provided based on reasonable inquiry of our suppliers and represents our current actual knowledge based on the information they provided. This information is subject to change. The part numbers that TE has identified as EU RoHS compliant have a maximum concentration of 0.1% by weight in homogenous materials for lead, hexavalent chromium, mercury, PBB, PBDE, DBP, BBP, DEHP, DIBP, and 0.01% for cadmium, or qualify for an exemption to these limits as defined in the Annexes of Directive 2011/65/EU (RoHS2). Finished electrical and electronic equipment products will be CE marked as required by Directive 2011/65/EU. Components may not be CE marked. Additionally, the part numbers that TE has identified as EU ELV compliant have a maximum concentration of 0.1% by weight in homogenous materials for lead, hexavalent chromium, and mercury, and 0.01% for cadmium, or qualify for an exemption to these limits as defined in the Annexes of Directive 2000/53/EC (ELV). Regarding the REACH Regulation, the information TE provides on SVHC in articles for this part number is based on the latest European Chemicals Agency (ECHA) 'Guidance on requirements for substances in articles' posted at this URL: <https://echa.europa.eu/guidance-documents/guidance-on-reach>

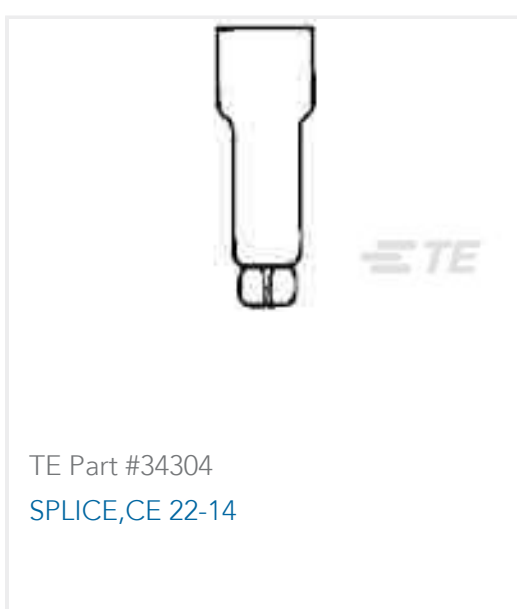
Compatible Parts



Also in the Series | AMPLIMITE HD-20



Customers Also Bought





Documents

Product Drawings

[25 PLUG SP/MS STD](#)

English

CAD Files

Customer View Model

[ENG_CVM_CVM_5745412-1_B.2d_dxf.zip](#)

English

[3D PDF](#)

3D

Customer View Model

[ENG_CVM_CVM_5745412-1_B.3d_igs.zip](#)

English

Customer View Model

[ENG_CVM_CVM_5745412-1_B.3d_stp.zip](#)

English

By downloading the CAD file I accept and agree to the [Terms and Conditions](#) of use.

Datasheets & Catalog Pages

[AMPLIMITE Subminiature D Connectors - Straight Posted Connectors](#)

English

Product Specifications

[Application Specification](#)

English

Agency Approvals

[UL Report](#)

English
