

5745115-2 ✓ ACTIVE

AMPLIMITE | AMPLIMITE HDP

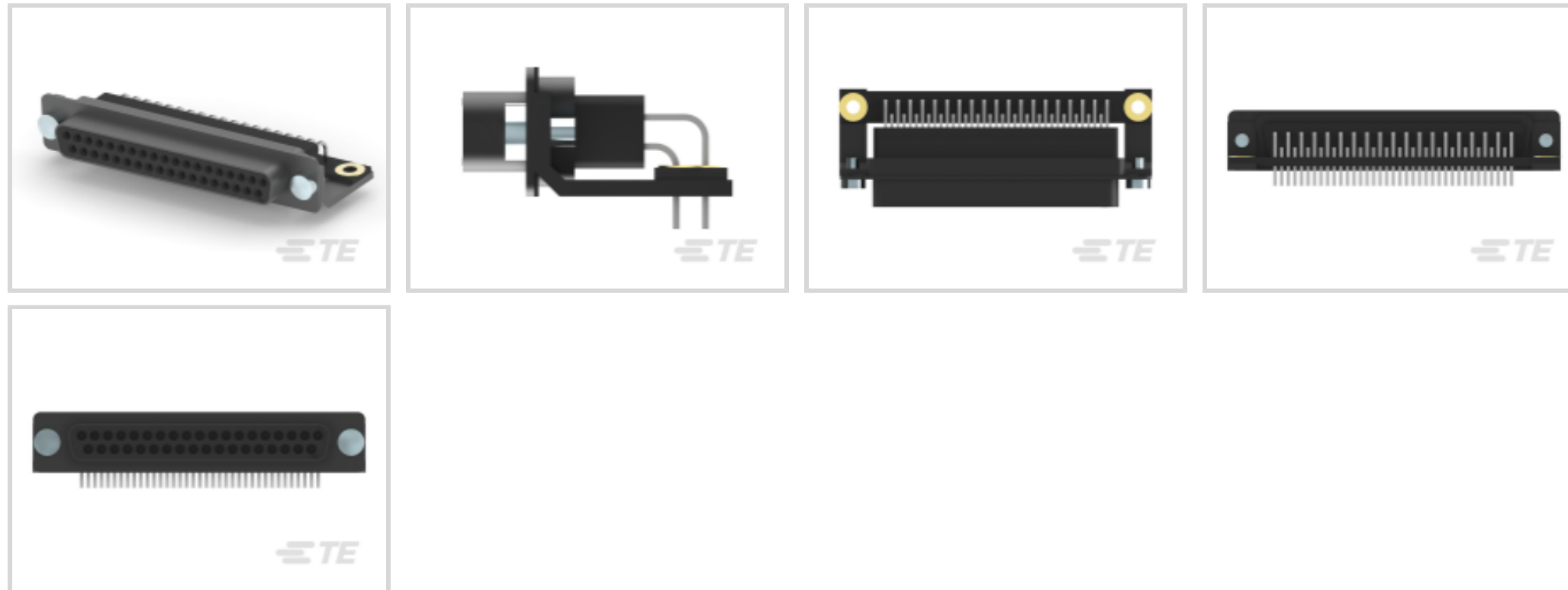
TE Internal #: 5745115-2

37 Position D-Shaped Connector, Receptacle, Board-to-Board,
Board Mount, 4 Shell Size, 2.74 mm [.108 in] Centerline, AMPLIMITE
HDP

[View on TE.com >](#)



Connectors > D-Shaped Connectors > D-Sub Receptacle Assembly: Right Angle, Shell Size 4, 2.77mm



Number of Positions: **37**

Connector & Housing Type: **Receptacle**

Connector System: **Board-to-Board**

Connector Mounting Type: **Board Mount**

Connector Shell Size: **4**

[All D-Sub Receptacle Assembly: Right Angle, Shell Size 4, 2.77mm \(13\)](#)

Features

Product Type Features

Shell Material Configuration	Full Metal Shell
Connector & Housing Type	Receptacle
Connector System	Board-to-Board
Connector Shell Size	4
Connector & Contact Terminates To	Printed Circuit Board

Configuration Features

PCB Mount Orientation	Right Angle
Number of Rows	2
Number of Positions	37

Body Features

Insert Material	Thermoplastic
Shell Plating Material	Tin



Connector Profile	Standard
-------------------	----------

Contact Features

Contact Underplating Material	Nickel
Contact Mating Area Plating Material Thickness	.76 μm [30 μin]
Contact Shape & Form	Square
Contact Mating Area Plating Material	Gold (Au)
Contact Base Material	Phosphor Bronze
PCB Contact Termination Area Plating Material	Tin
Contact Current Rating (Max)	6 A
Contact Options	Installed

Termination Features

Termination Method to PCB	Through Hole - Solder
Termination Post & Tail Length	3.18 mm[.125 in]
Square Termination Post & Tail Dimension	.63 mm[.025 in]

Mechanical Attachment

Mating Retention Type	Mounting Screws
PCB Mount Retention	With
Mounting Hole Diameter	3.05 mm[.12 in]
Mating Retention	With
PCB Mount Retention Type	Mounting Hole
Connector Mounting Type	Board Mount

Housing Features

Shell Material	Steel
Centerline (Pitch)	2.74 mm[.108 in]

Dimensions

Row-to-Row Spacing	2.84 mm[.112 in]
PCB Thickness (Recommended)	2.36 mm[.093 in]

Usage Conditions

Operating Temperature Range	-55 – 105 °C[-67 – 221 °F]
-----------------------------	----------------------------

Operation/Application

Circuit Application	Signal
---------------------	--------

Industry Standards



UL Flammability Rating	UL 94V-0
------------------------	----------

Packaging Features

Packaging Quantity	56
Packaging Method	Package

Product Compliance

[For compliance documentation, visit the product page on TE.com>](#)

EU RoHS Directive 2011/65/EU	Compliant
EU ELV Directive 2000/53/EC	Compliant
China RoHS 2 Directive MIIT Order No 32, 2016	No Restricted Materials Above Threshold
EU REACH Regulation (EC) No. 1907/2006	Current ECHA Candidate List: JAN 2025 (247) Candidate List Declared Against: JUNE 2024 (241) Does not contain REACH SVHC
Halogen Content	Not Low Halogen - contains Br or Cl > 900 ppm.
Solder Process Capability	Wave solder capable to 265°C

Product Compliance Disclaimer

This information is provided based on reasonable inquiry of our suppliers and represents our current actual knowledge based on the information they provided. This information is subject to change. The part numbers that TE has identified as EU RoHS compliant have a maximum concentration of 0.1% by weight in homogenous materials for lead, hexavalent chromium, mercury, PBB, PBDE, DBP, BBP, DEHP, DIBP, and 0.01% for cadmium, or qualify for an exemption to these limits as defined in the Annexes of Directive 2011/65/EU (RoHS2). Finished electrical and electronic equipment products will be CE marked as required by Directive 2011/65/EU. Components may not be CE marked. Additionally, the part numbers that TE has identified as EU ELV compliant have a maximum concentration of 0.1% by weight in homogenous materials for lead, hexavalent chromium, and mercury, and 0.01% for cadmium, or qualify for an exemption to these limits as defined in the Annexes of Directive 2000/53/EC (ELV). Regarding the REACH Regulation, the information TE provides on SVHC in articles for this part number is based on the latest European Chemicals Agency (ECHA) 'Guidance on requirements for substances in articles' posted at this URL: <https://echa.europa.eu/guidance-documents/guidance-on-reach>

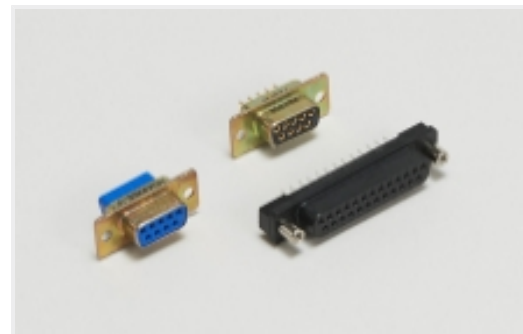
Compatible Parts



Also in the Series | **AMPLIMITE HDP**



Connector Contacts(6)



D-Shaped Connectors(65)



PCB D-Sub Connectors(65)

Customers Also Bought



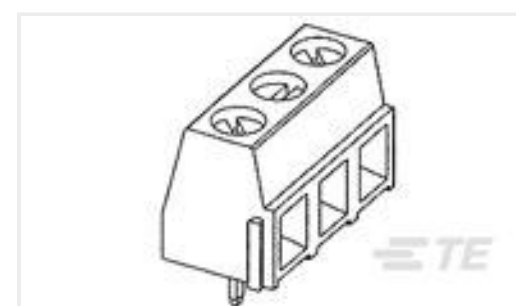
TE Part #2-323758-1
PIDG R 22-16 COMM 22-18 MIL 4



TE Part #5-146278-3
03 MODII HDR SRST B/A .100CL



TE Part #5-146254-8
16 MODII HDR DRST B/A .100CL



TE Part #282836-4
TERMI-BLOK PCB MOUNT 90 4P.



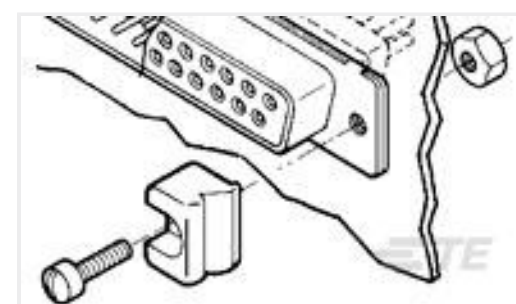
TE Part #2-5747706-0
09 RCPT SP/FMS BRDLK



TE Part #5-103330-5
10 MODII HDR DRRA B/A .100 CL LF



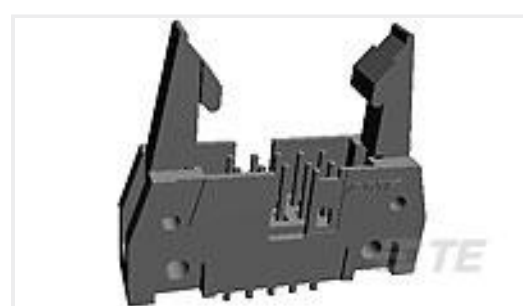
TE Part #5-146254-3
06 MODII HDR DRST B/A .100CL



TE Part #745286-2
LATCHING BLOCK



TE Part #6609042-3
10VS1=F7248 S0



TE Part #5499922-5
A/L UNIV HDR 24P VERT LAT

Documents

Product Drawings
37 RCPT RA/MS STD

English

CAD Files
3D PDF

English



Customer View Model

[ENG_CVM_5745115-2_A.2d_dxf.zip](#)

English

Customer View Model

[ENG_CVM_5745115-2_A.3d_igs.zip](#)

English

Customer View Model

[ENG_CVM_5745115-2_A.3d_stp.zip](#)

English

By downloading the CAD file I accept and agree to the [Terms and Conditions](#) of use.

Datasheets & Catalog Pages

[AMPLIMITE Subminiature D Connectors - Right-Angle Posted Connectors](#)

English

Product Specifications

[Application Specification](#)

English

Instruction Sheets

[Instruction Sheet \(U.S.\)](#)

English

Agency Approvals

[UL Report](#)

English