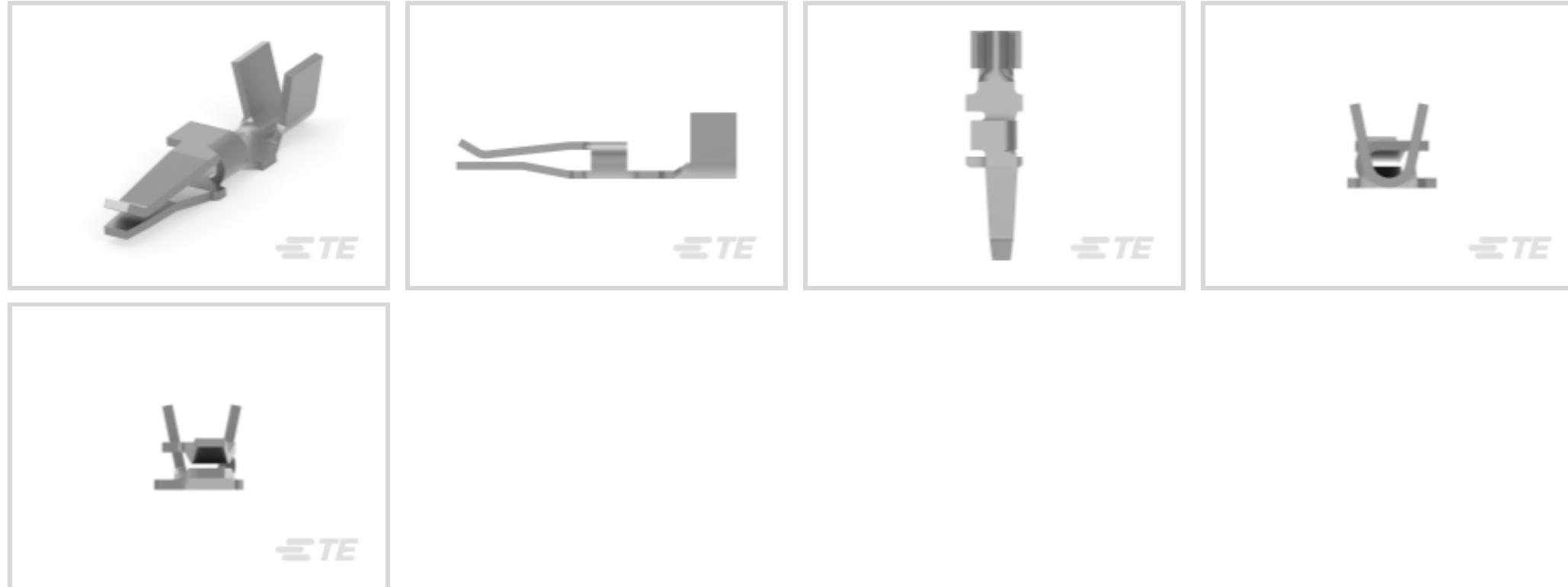




Connectors > Contacts > Connector Contacts



Contact Type: **Receptacle**

Contact Mating Area Plating Material: **Tin (Sn)**

Wire Contact Termination Area Plating Material: **Tin**

Operating Voltage: **600 VDC**

Features

Product Type Features

Discrete Wire Type	Stranded
Sealable	No

Configuration Features

Compatible With Wire & Cable Type	Discrete Wire
-----------------------------------	---------------

Electrical Characteristics

Operating Voltage	600 VDC
-------------------	---------

Contact Features

Contact Orientation	Straight
Wire Contact Termination Area Plating Thickness	2.54 μm[100 μin]
Barrel Type	Open
Contact Mating Area Plating Material Thickness	2.54 μm[100 μin]
Contact Length	27 mm[1.063 in]
Contact Type	Receptacle
Contact Mating Area Plating Material	Tin (Sn)



Wire Contact Termination Area Plating Material	Tin
Contact Retention Within Housing	Without
Contact Base Material	Copper Alloy
Contact Current Rating (Max)	55 A

Termination Features

Termination Method to Wire & Cable	Crimp
Product Terminates To	Wire & Cable

Mechanical Attachment

Wire Insulation Support	Without
-------------------------	---------

Dimensions

Wire Size	6530 – 10383 CMA
-----------	------------------

Usage Conditions

Operating Temperature Range	0 – 105 °C[32 – 221 °F]
-----------------------------	-------------------------

Operation/Application

Circuit Application	Power
---------------------	-------

Industry Standards

Compatible With Agency/Standards Products	UL
UL Flammability Rating	UL 94V-0

Packaging Features

Packaging Method	Reel
Packaging Quantity	2000

Product Compliance

[For compliance documentation, visit the product page on TE.com>](#)

EU RoHS Directive 2011/65/EU	Compliant
EU ELV Directive 2000/53/EC	Compliant
China RoHS 2 Directive MIIT Order No 32, 2016	No Restricted Materials Above Threshold
EU REACH Regulation (EC) No. 1907/2006	Current ECHA Candidate List: JAN 2025 (247) Candidate List Declared Against: JAN 2025 (247) Does not contain REACH SVHC
Halogen Content	Low Halogen - Br, Cl, F, I < 900 ppm per homogenous material. Also BFR/CFR/PVC

Free

Solder Process Capability

Not applicable for solder process capability

Product Compliance Disclaimer

This information is provided based on reasonable inquiry of our suppliers and represents our current actual knowledge based on the information they provided. This information is subject to change. The part numbers that TE has identified as EU RoHS compliant have a maximum concentration of 0.1% by weight in homogenous materials for lead, hexavalent chromium, mercury, PBB, PBDE, DBP, BBP, DEHP, DIBP, and 0.01% for cadmium, or qualify for an exemption to these limits as defined in the Annexes of Directive 2011/65/EU (RoHS2). Finished electrical and electronic equipment products will be CE marked as required by Directive 2011/65/EU. Components may not be CE marked. Additionally, the part numbers that TE has identified as EU ELV compliant have a maximum concentration of 0.1% by weight in homogenous materials for lead, hexavalent chromium, and mercury, and 0.01% for cadmium, or qualify for an exemption to these limits as defined in the Annexes of Directive 2000/53/EC (ELV). Regarding the REACH Regulation, the information TE provides on SVHC in articles for this part number is based on the latest European Chemicals Agency (ECHA) 'Guidance on requirements for substances in articles' posted at this URL: <https://echa.europa.eu/guidance-documents/guidance-on-reach>

Compatible Parts




KIT
REPRESENTATION ONLY

TE Part # 7-2151317-7
OCEAN_2.0_SPARE_PART_KIT-180F



TE Part # 556136-2
CONT,AMPINRGY WTW,LS PC,10-12



TE Part # 91308-1
EXT TOOL AMP INNERGY WIRE BRD



TE Part # 2151317-2
OCEAN_2.0_Applicator-S-180F-RSA

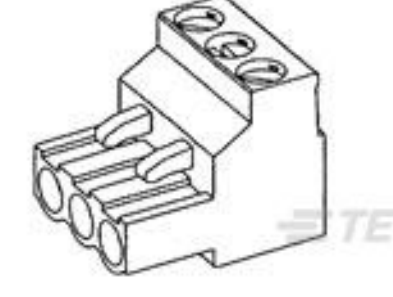
Customers Also Bought



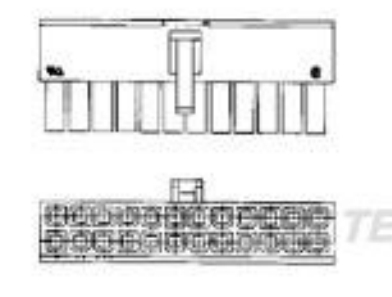
TE Part #1-770007-0
UMNL II PIN AUSN/NI/BR



TE Part #6-1393127-0
PRD-11DY0-110=PRD



TE Part #796640-4
4 POS 5.0 MM R/A PLUG,TRM BLK



TE Part #1-794954-2
12P RCPT VAL-U-LOK V2



TE Part #1-770008-0
UMNLII SOK SN/AU/PHBZ LF



TE Part #2-292138-4
CT DOUBLE ROW ASSY H 24P HDR N



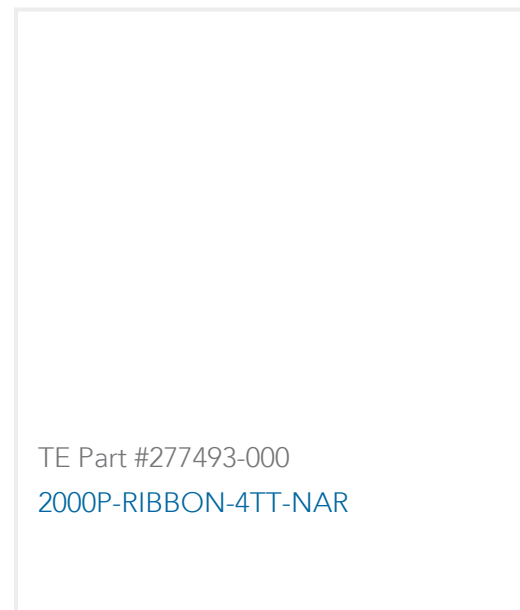
TE Part #499252-6
034 STRAIN RELIEF A-L RCPT



TE Part #1SNA115201R2500
M6/9.EE



TE Part #770016-1
05P UMNLI IN-LNE PLUG HSG KIT



TE Part #277493-000
2000P-RIBBON-4TT-NAR

Documents

Product Drawings

[CONT,AMPINRGY WTW,STRIP,10-12](#)

English

CAD Files

Customer View Model

[ENG_CVM_556136-1_A.3d_igs.zip](#)

English

Customer View Model

[ENG_CVM_556136-1_A.3d_stp.zip](#)

English

Customer View Model

[ENG_CVM_556136-1_A.2d_dxf.zip](#)

English

3D PDF

English

By downloading the CAD file I accept and agree to the [Terms and Conditions](#) of use.

Datasheets & Catalog Pages

[POWER_CONNECTORS_CATALOG_SEC02_CABLE_MOUNTED](#)

English

[1654742_HOUSEHOLD_APPLIANCES_RAST5](#)

English

Product Specifications

[Application Specification](#)

English

Instruction Sheets

[Instruction Sheet \(U.S.\)](#)

English

[Inspection of AMPINNERGY System Power Contacts](#)

English