

493581-1 ✓ ACTIVE

AMP

TE Internal #: 493581-1

Black, Elastomer, Boot, -40 – 125 °C [-40 – 257 °F]

[View on TE.com >](#)



Connectors > Automotive Connectors > Automotive Connector Accessories > Other Automotive Connector Accessories



Primary Product Color: **Black**

Primary Product Material: **Elastomer**

Automotive Connector Accessory Type: **Boot**

Operating Temperature Range: **-40 – 125 °C [-40 – 257 °F]**

Features

Product Type Features

Automotive Connector Accessory Type	Boot
-------------------------------------	------

Body Features

Primary Product Color	Black
Primary Product Material	Elastomer

Usage Conditions

Operating Temperature Range	-40 – 125 °C[-40 – 257 °F]
-----------------------------	----------------------------

Packaging Features

Packaging Method	Package
------------------	---------

Product Compliance

[For compliance documentation, visit the product page on TE.com>](#)

EU RoHS Directive 2011/65/EU	Compliant
EU ELV Directive 2000/53/EC	Compliant
China RoHS 2 Directive MIIT Order No 32, 2016	No Restricted Materials Above Threshold
EU REACH Regulation (EC) No. 1907/2006	Current ECHA Candidate List: JAN 2025 (247) Candidate List Declared Against: JAN 2025 (247) Does not contain REACH SVHC
Halogen Content	Low Halogen - Br, Cl, F, I < 900 ppm per homogenous material. Also BFR/CFR/PVC Free

Solder Process Capability

Not applicable for solder process capability

Product Compliance Disclaimer

This information is provided based on reasonable inquiry of our suppliers and represents our current actual knowledge based on the information they provided. This information is subject to change. The part numbers that TE has identified as EU RoHS compliant have a maximum concentration of 0.1% by weight in homogenous materials for lead, hexavalent chromium, mercury, PBB, PBDE, DBP, BBP, DEHP, DIBP, and 0.01% for cadmium, or qualify for an exemption to these limits as defined in the Annexes of Directive 2011/65/EU (RoHS2). Finished electrical and electronic equipment products will be CE marked as required by Directive 2011/65/EU. Components may not be CE marked. Additionally, the part numbers that TE has identified as EU ELV compliant have a maximum concentration of 0.1% by weight in homogenous materials for lead, hexavalent chromium, and mercury, and 0.01% for cadmium, or qualify for an exemption to these limits as defined in the Annexes of Directive 2000/53/EC (ELV). Regarding the REACH Regulation, the information TE provides on SVHC in articles for this part number is based on the latest European Chemicals Agency (ECHA) 'Guidance on requirements for substances in articles' posted at this URL: <https://echa.europa.eu/guidance-documents/guidance-on-reach>

Compatible Parts



TE Part # 2316589-1
HYB 69P BOTTOM RETAINER



TE Part # 2316579-1
HYB 69P RIGHT RETAINER



TE Part # 282106-1
AMP SUPERSEAL 1.5 SERIES 4P CA

Customers Also Bought



TE Part #1-2176415-4
8W STD M/OX 5% 100R



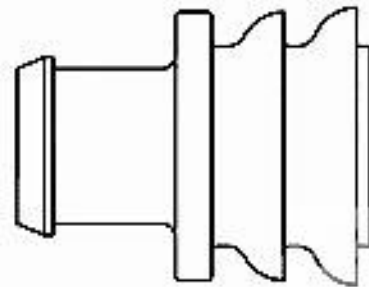
TE Part #5-2176599-4
RLC73PD 2H R20 1% 1K RL



TE Part #CAT-AM71-CH8172
AMP SUPERSEAL 1.5MM,
CONNECTOR HOUSING



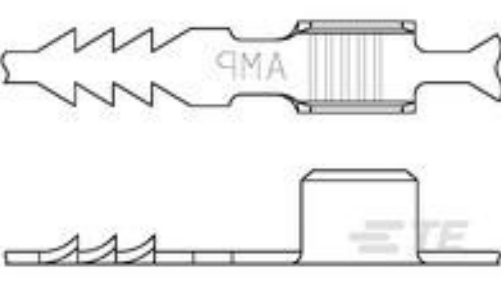
TE Part #281934-2
SINGLE WIRE SEAL



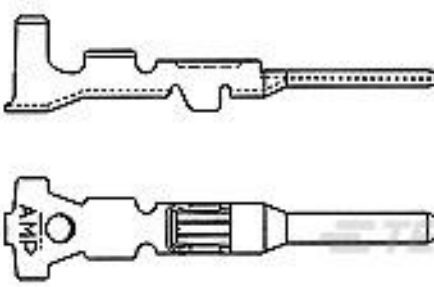
TE Part #281934-4
SINGLE WIRE SEAL



TE Part #8-1879269-2
RP 2A 42R2 0.1% 15PPM CUT LENGTH



TE Part #62192-1
BOBBIN TAB .016TPBR



TE Part #183036-1
MINI MIC TAB CONTACT L.P.



Documents

Product Drawings

[BOOT 4 POSN HSG](#)

English

CAD Files

Customer View Model

[ENG_CVM_493581-1_A.3d_igs.zip](#)

English

Customer View Model

[ENG_CVM_493581-1_A.3d_stp.zip](#)

English

Customer View Model

[ENG_CVM_493581-1_A.2d_dxf.zip](#)

English

3D PDF

English

By downloading the CAD file I accept and agree to the [Terms and Conditions](#) of use.