

4-284932-3 x OBSOLETE

TE Internal #: 4-284932-3

TE Internal Description: DUOPLUG MKI STD,13 POS, KEYED

[View on TE.com >](#)



Product Compliance

[For compliance documentation, visit the product page on TE.com>](#)

EU RoHS Directive 2011/65/EU	Compliant
EU ELV Directive 2000/53/EC	Compliant
China RoHS 2 Directive MIIT Order No 32, 2016	No Restricted Materials Above Threshold
EU REACH Regulation (EC) No. 1907/2006	Current ECHA Candidate List: JAN 2025 (247) Candidate List Declared Against: JUNE 2022 (224) Does not contain REACH SVHC
Halogen Content	Not Low Halogen - contains Br or Cl > 900 ppm.
Solder Process Capability	Not reviewed for solder process capability

Product Compliance Disclaimer

This information is provided based on reasonable inquiry of our suppliers and represents our current actual knowledge based on the information they provided. This information is subject to change. The part numbers that TE has identified as EU RoHS compliant have a maximum concentration of 0.1% by weight in homogenous materials for lead, hexavalent chromium, mercury, PBB, PBDE, DBP, BBP, DEHP, DIBP, and 0.01% for cadmium, or qualify for an exemption to these limits as defined in the Annexes of Directive 2011/65/EU (RoHS2). Finished electrical and electronic equipment products will be CE marked as required by Directive 2011/65/EU. Components may not be CE marked. Additionally, the part numbers that TE has identified as EU ELV compliant have a maximum concentration of 0.1% by weight in homogenous materials for lead, hexavalent chromium, and mercury, and 0.01% for cadmium, or qualify for an exemption to these limits as defined in the Annexes of Directive 2000/53/EC (ELV). Regarding the REACH Regulation, the information TE provides on SVHC in articles for this part number is based on the latest European Chemicals Agency (ECHA) 'Guidance on requirements for substances in articles' posted at this URL: <https://echa.europa.eu/guidance-documents/guidance-on-reach>

Customers Also Bought



TE Part #175020-2
250 POSITIVE REC EX MK-2



TE Part #2-293491-2
AMP MONO-SHAPE TAB CONN assy 2



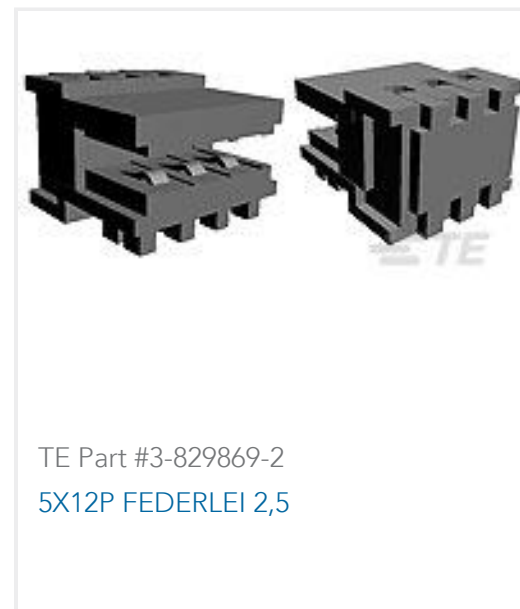
TE Part #2-1971895-4
4P, RAST 5 Tab Header, THV



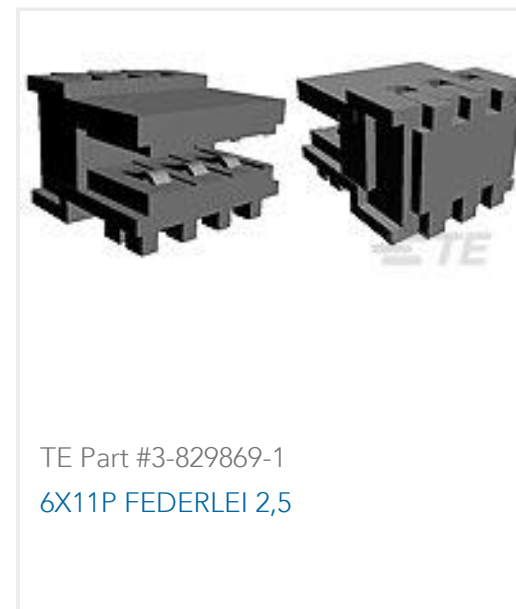
TE Part #7-1703060-6
STANDARD TIMER SPECIAL HOUSING UL94_V0



TE Part #293267-1
7 POS. FASTIN-FASTON+ TAB HOUSING RAST 5



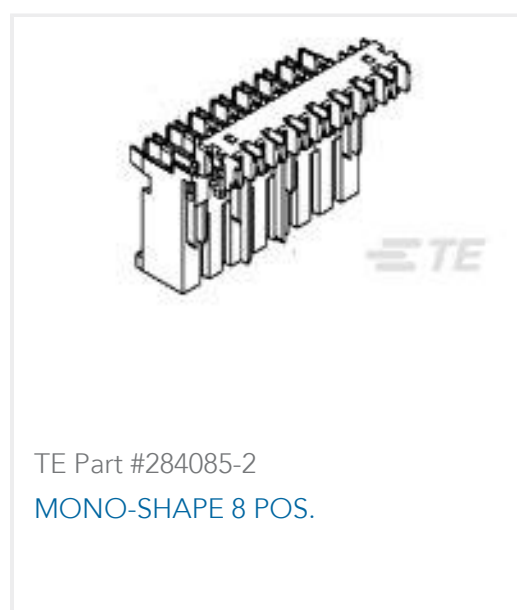
TE Part #3-829869-2
5X12P FEDERLEI 2,5



TE Part #3-829869-1
6X11P FEDERLEI 2,5



TE Part #2293392-7
AMP MONO-SHAPE TAB CONN 7P. LIF UP 10A



TE Part #284085-2
MONO-SHAPE 8 POS.



TE Part #3-284931-5
DUOPLUG std, 5 pos., select.

Documents

CAD Files

3D PDF

3D

Customer View Model

[ENG_CVM_CVM_4-284932-3_B_c-4-284932-3-b.2d_dxf.zip](#)

English

Customer View Model

[ENG_CVM_CVM_4-284932-3_B_c-4-284932-3-b.3d_igs.zip](#)

English

Customer View Model

[ENG_CVM_CVM_4-284932-3_B_c-4-284932-3-b.3d_stp.zip](#)

English

By downloading the CAD file I accept and agree to the [Terms and Conditions](#) of use.

Datasheets & Catalog Pages

RAST Connector System Catalog

English

Product Specifications



[Application Specification](#)

English

[Agency Approvals](#)

[Agency Approval Document](#)

English