

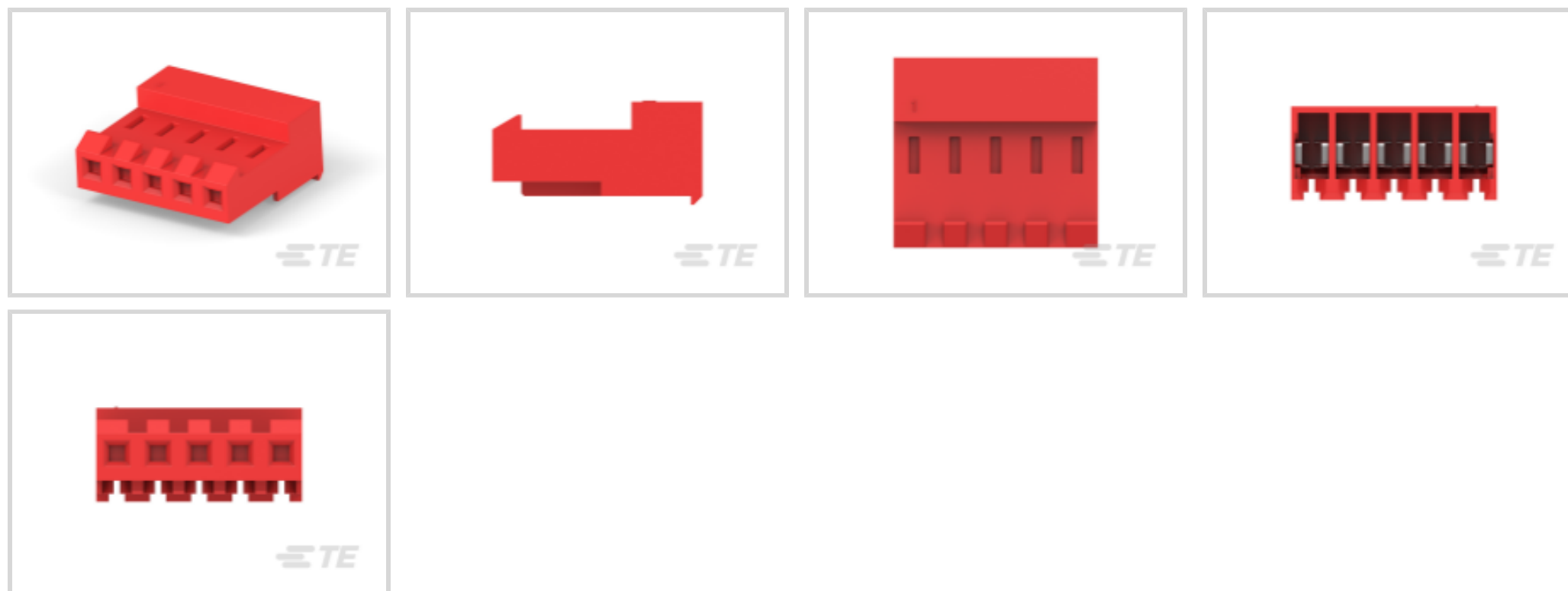
3-643193-5 x OBSOLETE

MTA 156

TE Internal #: 3-643193-5

TE Internal Description: 05P MTA156 CONN ASSY H/F 22AWG

[View on TE.com >](#)



## Product Compliance

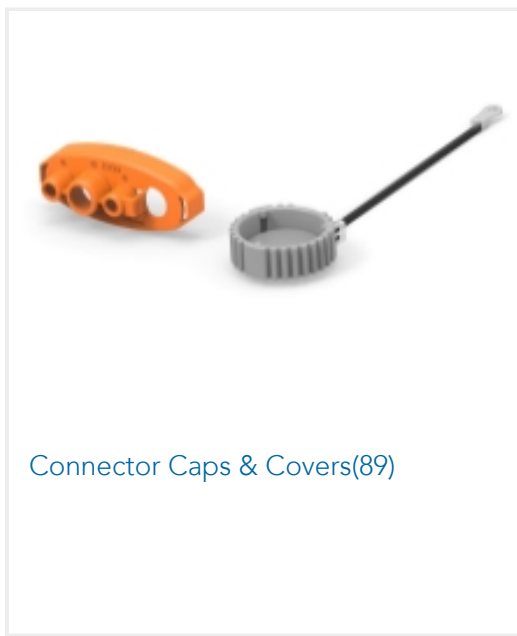
[For compliance documentation, visit the product page on TE.com>](#)

EU RoHS Directive 2011/65/EU	Compliant
EU ELV Directive 2000/53/EC	Compliant
China RoHS 2 Directive MIIT Order No 32, 2016	No Restricted Materials Above Threshold
EU REACH Regulation (EC) No. 1907/2006	Current ECHA Candidate List: JAN 2025 (247) Candidate List Declared Against: JAN 2023 (233) Does not contain REACH SVHC
Halogen Content	Low Halogen - Br, Cl, F, I < 900 ppm per homogenous material. Also BFR/CFR/PVC Free
Solder Process Capability	Not applicable for solder process capability

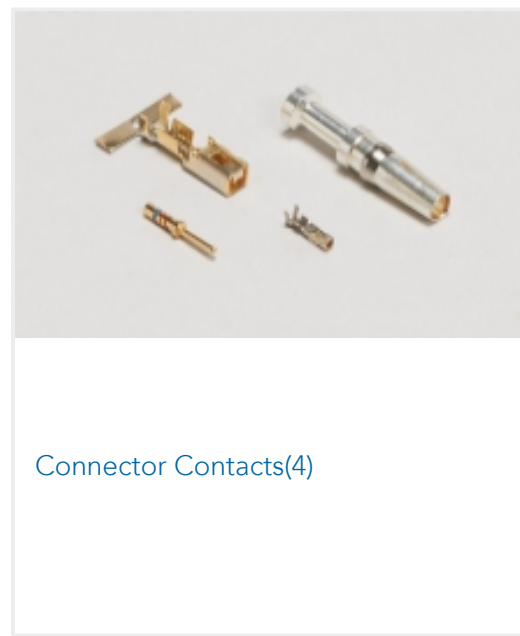
### Product Compliance Disclaimer

This information is provided based on reasonable inquiry of our suppliers and represents our current actual knowledge based on the information they provided. This information is subject to change. The part numbers that TE has identified as EU RoHS compliant have a maximum concentration of 0.1% by weight in homogenous materials for lead, hexavalent chromium, mercury, PBB, PBDE, DBP, BBP, DEHP, DIBP, and 0.01% for cadmium, or qualify for an exemption to these limits as defined in the Annexes of Directive 2011/65/EU (RoHS2). Finished electrical and electronic equipment products will be CE marked as required by Directive 2011/65/EU. Components may not be CE marked. Additionally, the part numbers that TE has identified as EU ELV compliant have a maximum concentration of 0.1% by weight in homogenous materials for lead, hexavalent chromium, and mercury, and 0.01% for cadmium, or qualify for an exemption to these limits as defined in the Annexes of Directive 2000/53/EC (ELV). Regarding the REACH Regulation, the information TE provides on SVHC in articles for this part number is based on the latest European Chemicals Agency (ECHA) 'Guidance on requirements for substances in articles' posted at this URL: <https://echa.europa.eu/guidance-documents/guidance-on-reach>

Also in the Series | [MTA 156](#)



Connector Caps & Covers(89)



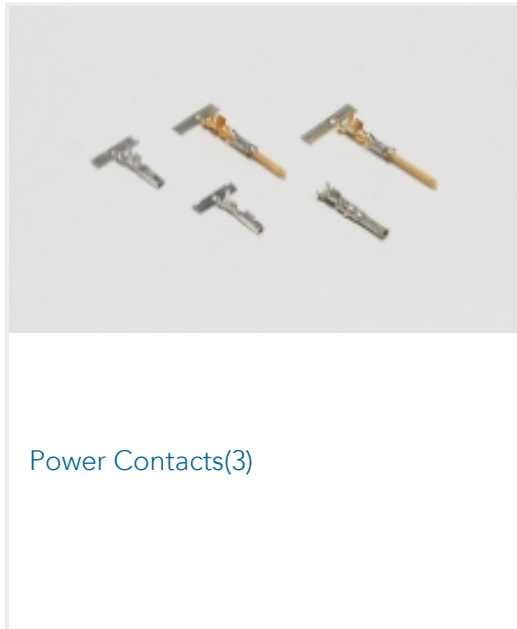
Connector Contacts(4)



Connector Hardware(2)



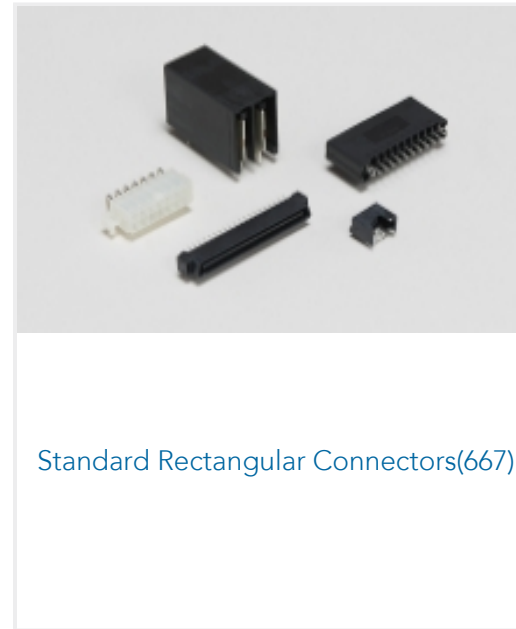
PCB Headers & Receptacles(677)



Power Contacts(3)



Rectangular Power Connectors(1178)



Standard Rectangular Connectors(667)

### Customers Also Bought



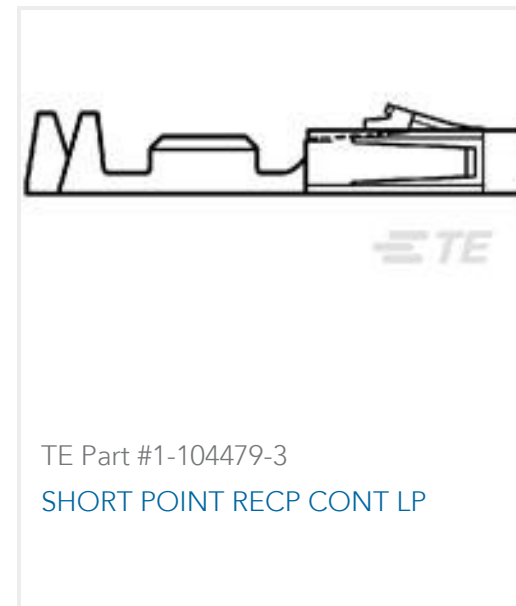
TE Part #104257-1  
02 MTE RCPT HSG SR LATCH .100



TE Part #440129-6  
2.0MM,HSG,6POS



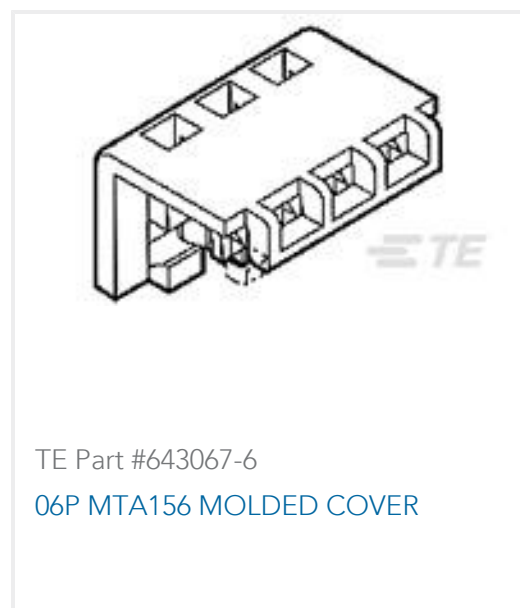
TE Part #GA10K3MCD1  
MCD PROBE, 10K OHMS,+/- 0.2C @ 25C



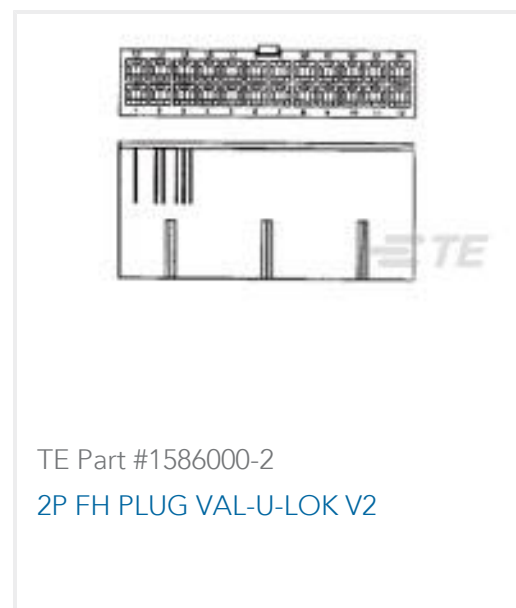
TE Part #1-104479-3  
SHORT POINT RECP CONT LP



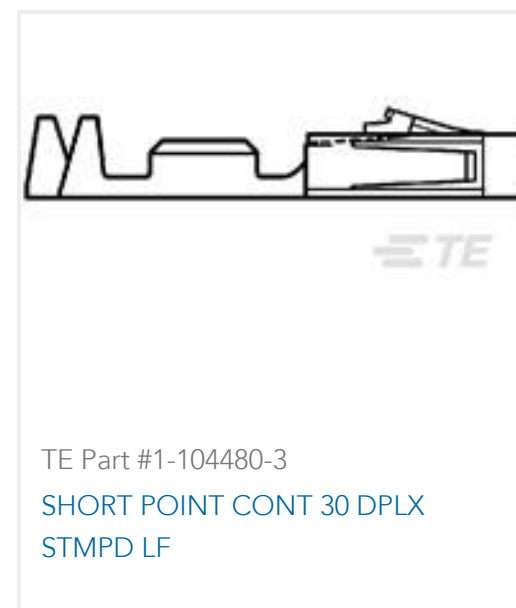
TE Part #6-104074-0  
08 SYSTEM 50 HDR SRRA SHRD SN



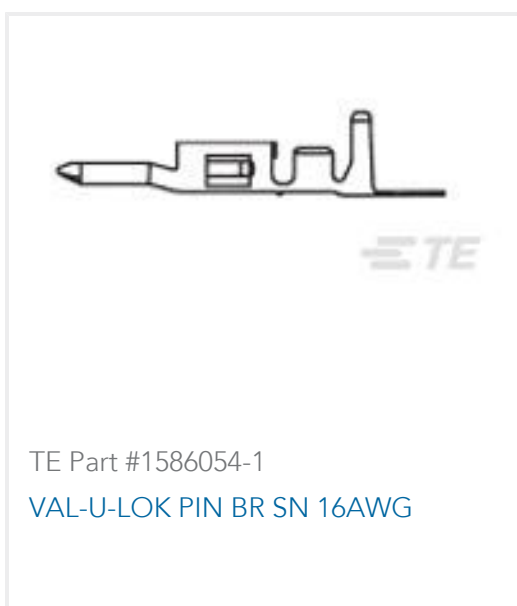
TE Part #643067-6  
06P MTA156 MOLDED COVER



TE Part #1586000-2  
2P FH PLUG VAL-U-LOK V2



TE Part #1-104480-3  
SHORT POINT CONT 30 DPLX STMPD LF



TE Part #1586054-1  
VAL-U-LOK PIN BR SN 16AWG



TE Part #5104340-1  
A/L LOW PRO HDR 10P RA HT

### Documents



**CAD Files**

Customer View Model

[ENG\\_CVM\\_3-643193-5\\_C.3d\\_igs.zip](#)

English

Customer View Model

[ENG\\_CVM\\_3-643193-5\\_C.3d\\_stp.zip](#)

English

Customer View Model

[ENG\\_CVM\\_3-643193-5\\_C.2d\\_dxf.zip](#)

English

**3D PDF**

English

**3D PDF**

3D

Customer View Model

[ENG\\_CVM\\_CVM\\_3-643193-5\\_D.2d\\_dxf.zip](#)

English

Customer View Model

[ENG\\_CVM\\_CVM\\_3-643193-5\\_D.3d\\_igs.zip](#)

English

Customer View Model

[ENG\\_CVM\\_CVM\\_3-643193-5\\_D.3d\\_stp.zip](#)

English

By downloading the CAD file I accept and agree to the [Terms and Conditions](#) of use.

---

**Product Specifications**

Application Specification

Japanese

Application Specification

English

MTA 156 Ribbon Cable Connector Assemblies (English And Spanish)

English

MTA 156 Ribbon Cable Connector Assemblies (English And Spanish)

Japanese

---

**Agency Approvals**

Agency Approval Document

English