



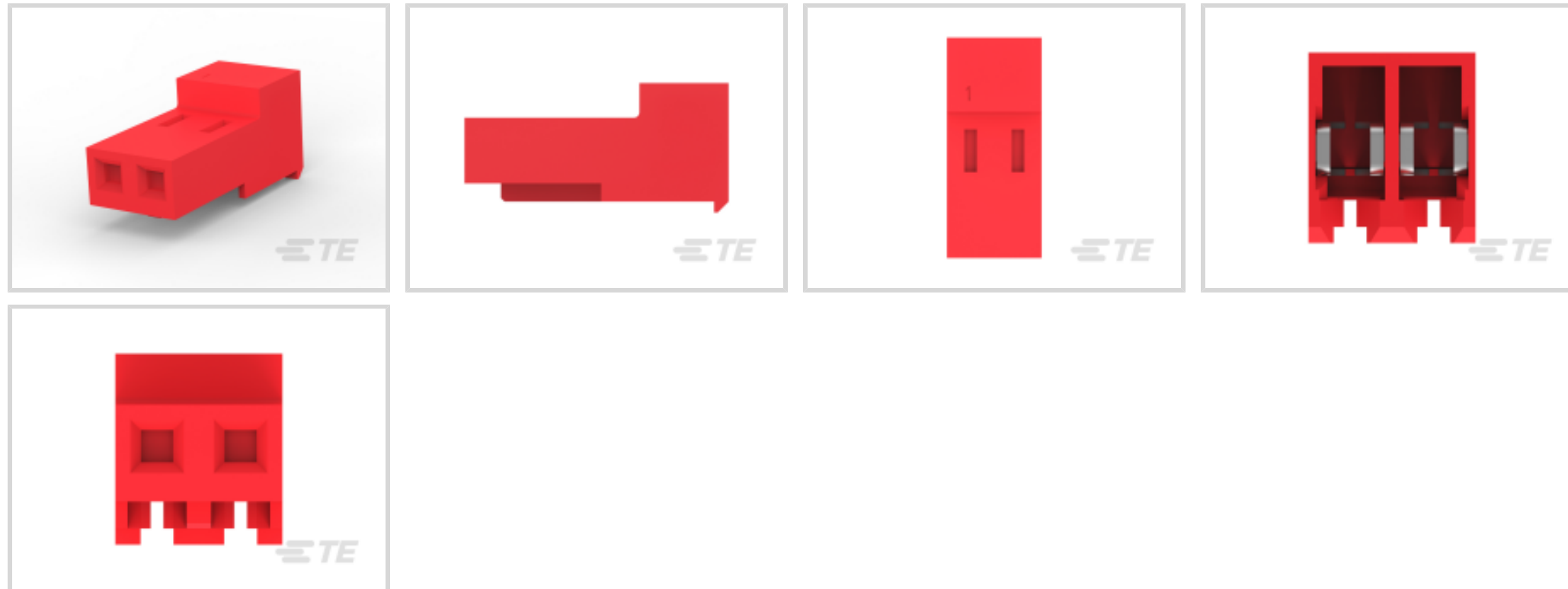
MTA 156

TE Internal #: 3-640433-2

Connector Assembly, Receptacle, Insulation Displacement (IDC),
Wire-to-Board, Tin (Sn), MTA 156, Rectangular Wire & Cable
Connectors & Housings

[View on TE.com >](#)

Connectors > Rectangular Connectors > Standard Rectangular Connectors



Connector Product Type: **Connector Assembly**

Connector & Housing Type: **Receptacle**

Mating Alignment: **Without**

Mating Retention: **Without**

Termination Method to Wire & Cable: **Insulation Displacement (IDC)**

Features

Product Type Features

Compatible With Discrete Wire Type	Stranded
Connector Product Type	Connector Assembly
Connector & Housing Type	Receptacle
Connector System	Wire-to-Board
Sealable	No
Connector & Contact Terminates To	Wire & Cable

Configuration Features

Number of Power Positions	2
Number of Positions	2
Number of Rows	1

Electrical Characteristics

Operating Voltage	600 VAC
-------------------	---------

Body Features

Cable Exit Angle	90°
------------------	-----



Primary Product Color	Red
-----------------------	-----

Contact Features

Contact Underplating Material	Nickel
Contact Underplating Material Thickness	30 μm [.762 μin]
Wire Contact Termination Area Plating Material	Tin
Contact Mating Area Plating Material Thickness	2.03 μm [80 μin]
Contact Layout	Inline
Contact Base Material	Copper Alloy
Wire Contact Termination Area Plating Thickness	2.03 – 5.08 μm [80 – 200 μin]
Contact Type	Receptacle
Contact Mating Area Plating Material	Tin (Sn)
Contact Retention Within Housing	With
Contact Current Rating (Max)	7 A

Termination Features

Termination Method to Wire & Cable	Insulation Displacement (IDC)
------------------------------------	-------------------------------

Mechanical Attachment

Strain Relief	With
Panel Mount Feature	Without
Contact Retention Type Within Housing	Locking Lance
Mating Alignment	Without
Mating Retention	Without
Connector Mounting Type	Cable Mount (Free-Hanging)

Housing Features

Housing Material	Nylon
Wire & Cable IDC Installation Type	Closed End
Centerline (Pitch)	3.96 mm[.156 in]

Dimensions

Compatible Insulation Diameter Range	2.41 mm[.095 in]
Connector Height	9.02 mm[.355 in]
Wire Size	22 AWG
Connector Length	7.92 mm[.312 in]

Usage Conditions

Operating Temperature Range	-55 – 105 °C[-67 – 221 °F]
-----------------------------	----------------------------

Operation/Application

Circuit Application	Power
---------------------	-------

Industry Standards

Compatible With Agency/Standards Products	CSA, UL
UL Rating	Recognized
Compatible With Approved Standards Products	UL E28476
CSA Rating	Certified, LR 7189
Glow Wire Rating	Standard Part - Not Glow Wire
UL Flammability Rating	UL 94V-2

Packaging Features

Packaging Quantity	500
Packaging Method	Bag & Box

Product Compliance

[For compliance documentation, visit the product page on TE.com>](#)

EU RoHS Directive 2011/65/EU	Compliant
EU ELV Directive 2000/53/EC	Compliant
China RoHS 2 Directive MIIT Order No 32, 2016	No Restricted Materials Above Threshold
EU REACH Regulation (EC) No. 1907/2006	Current ECHA Candidate List: JAN 2025 (247) Candidate List Declared Against: JAN 2025 (247) Does not contain REACH SVHC
Halogen Content	BFR/CFR/PVC Free, but Br/Cl >900 ppm in other sources.
Solder Process Capability	Not applicable for solder process capability

Product Compliance Disclaimer

This information is provided based on reasonable inquiry of our suppliers and represents our current actual knowledge based on the information they provided. This information is subject to change. The part numbers that TE has identified as EU RoHS compliant have a maximum concentration of 0.1% by weight in homogenous materials for lead, hexavalent chromium, mercury, PBB, PBDE, DBP, BBP, DEHP, DIBP, and 0.01% for cadmium, or qualify for an exemption to these limits as defined in the Annexes of Directive 2011/65/EU (RoHS2). Finished electrical and electronic equipment products will be CE marked as required by Directive 2011/65/EU. Components may not be CE marked. Additionally, the part numbers that TE has identified as EU ELV compliant have a maximum concentration of 0.1% by weight in homogenous materials for lead, hexavalent chromium, and mercury, and 0.01% for cadmium, or qualify for an exemption to these limits as defined in the Annexes of Directive 2000/53/EC (ELV). Regarding the REACH Regulation, the information TE provides on SVHC in articles for this part number is based on the latest European Chemicals Agency (ECHA) 'Guidance on requirements for substances in articles' posted at this URL: <https://echa.europa.eu/guidance-documents/guidance-on-reach>

Compatible Parts



TE Part # 640389-2
02P MTA156 HDR ASSY SQ R/A F/L



TE Part # 2-647123-2
02P MTA156 SHRD HDR ASSY SQ SN



TE Part # 58247-2
MTA 156 CRIMP HEAD PRODUCTION DISCRETE



TE Part # 640643-2
02P MTA156 COVER F/T



TE Part # 640384-2
02P MTA156 HDR ASSY STR RND SN



TE Part # 640385-2
02P MTA156 HDR ASSY SQ R/A



TE Part # 3-644611-2
02P MTA156 HDR POL WO PEGS LF



TE Part # 644749-2
02P MTA156 HDR ASSY STR SQ SN



TE Part # 640551-2
02P MTA156 COVER



TE Part # 640387-2
02P MTA156 HDR ASSY SQ R/A



TE Part # 640445-2
02P MTA156 HDR ASSY FL/STR SN



TE Part # 640388-2
02P MTA156 HDR ASSY RN STR F/L



TE Part # 644753-2
02P MTA156 HDR ASSY RN STR F/L



TE Part # 641533-1
02P MTA156 CONN HSG, END CAP



TE Part # 58247-1
MTA 156 CRIMP HEAD REPAIR DISCRETE



TE Part # 2-647125-2
02P MTA156 SHRD HDR ASSY LF



TE Part # 643071-2
02P MTA156 FD-THRU COVER



TE Part # 640633-3
MTA .156 CONTACT BRSNBR



TE Part # 3-644613-2
02P MTA156 HDR RA PO WO PEG LF

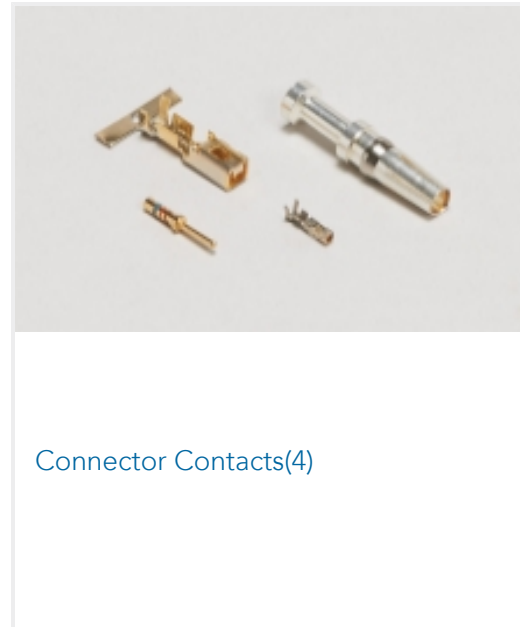


TE Part # 3-644615-2
02P MTA156 POL HDR ASSY LF

Also in the Series | MTA 156



Connector Caps & Covers(89)



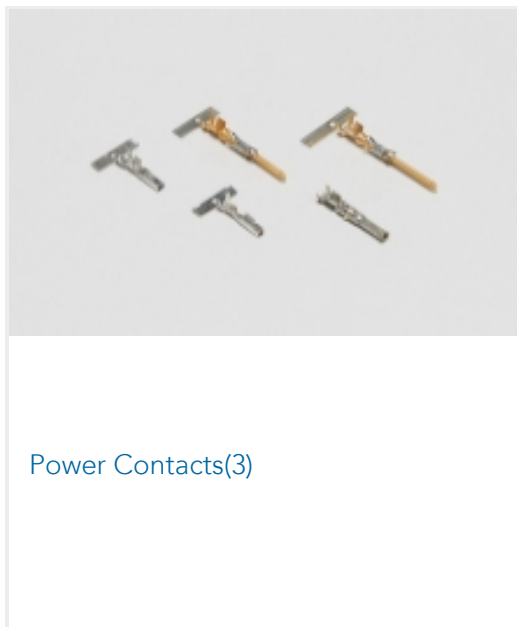
Connector Contacts(4)



Connector Hardware(2)



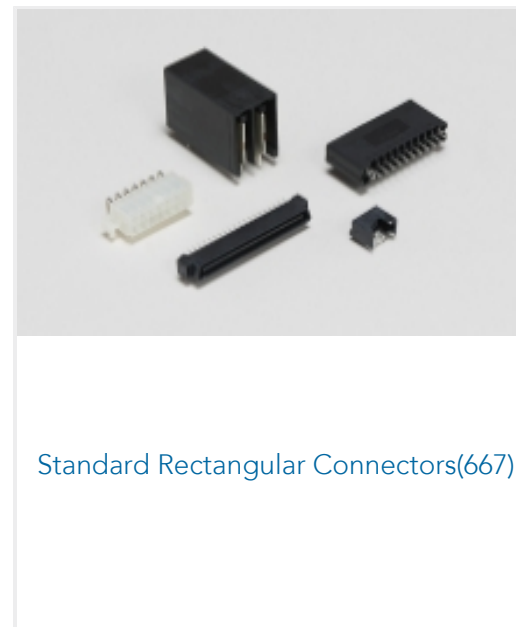
PCB Headers & Receptacles(677)



Power Contacts(3)



Rectangular Power Connectors(1178)



Standard Rectangular Connectors(667)

Customers Also Bought



TE Part #1703061-1
PLUG, 2 CIRCUIT , UNIVERSAL MATE-N-LOK



TE Part #5-826629-0
50P AMPMODU II PIN HDR.



TE Part #CAT-AM7053-H8172
Mini Common Termination (CT)
Housings



TE Part #925369-2
MOD 4 REC.HSG 1X02P



TE Part #4-640440-4
14P MTA100 CONN ASSY 22AWG RED



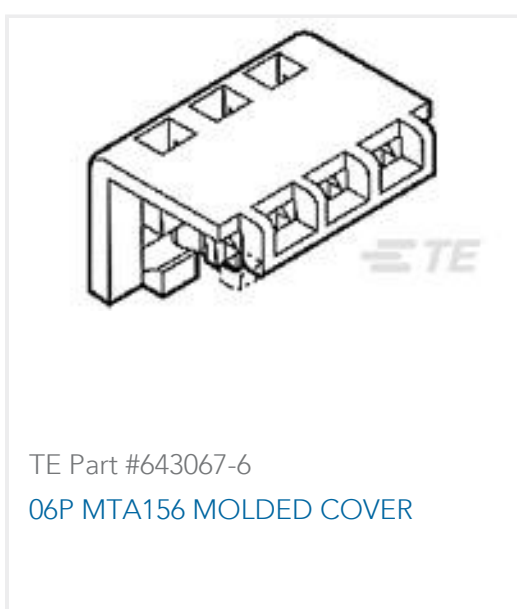
TE Part #3-640433-4
04P MTA156 CONN ASSY 22AWG RED



TE Part #5749266-1
Mini DIN, 6 pos, R/A, Shield



TE Part #392611-000
55A1841-24-0/2/5/9-3



TE Part #643067-6
06P MTA156 MOLDED COVER



Documents

Product Drawings

[02P MTA156 CONN ASSY 22AWG RED](#)

English

CAD Files

[3D PDF](#)

3D

Customer View Model

[ENG_CVM_CVM_3-640433-2_N.2d_dxf.zip](#)

English

Customer View Model

[ENG_CVM_CVM_3-640433-2_N.3d_igs.zip](#)

English

Customer View Model

[ENG_CVM_CVM_3-640433-2_N.3d_stp.zip](#)

English

By downloading the CAD file I accept and agree to the [Terms and Conditions](#) of use.

Product Specifications

[Application Specification](#)

Japanese

[Application Specification](#)

English

[MTA 156 Ribbon Cable Connector Assemblies \(English And Spanish\)](#)

English

[MTA 156 Ribbon Cable Connector Assemblies \(English And Spanish\)](#)

Japanese

[Application Specification](#)

English

Agency Approvals

[UL](#)

English