



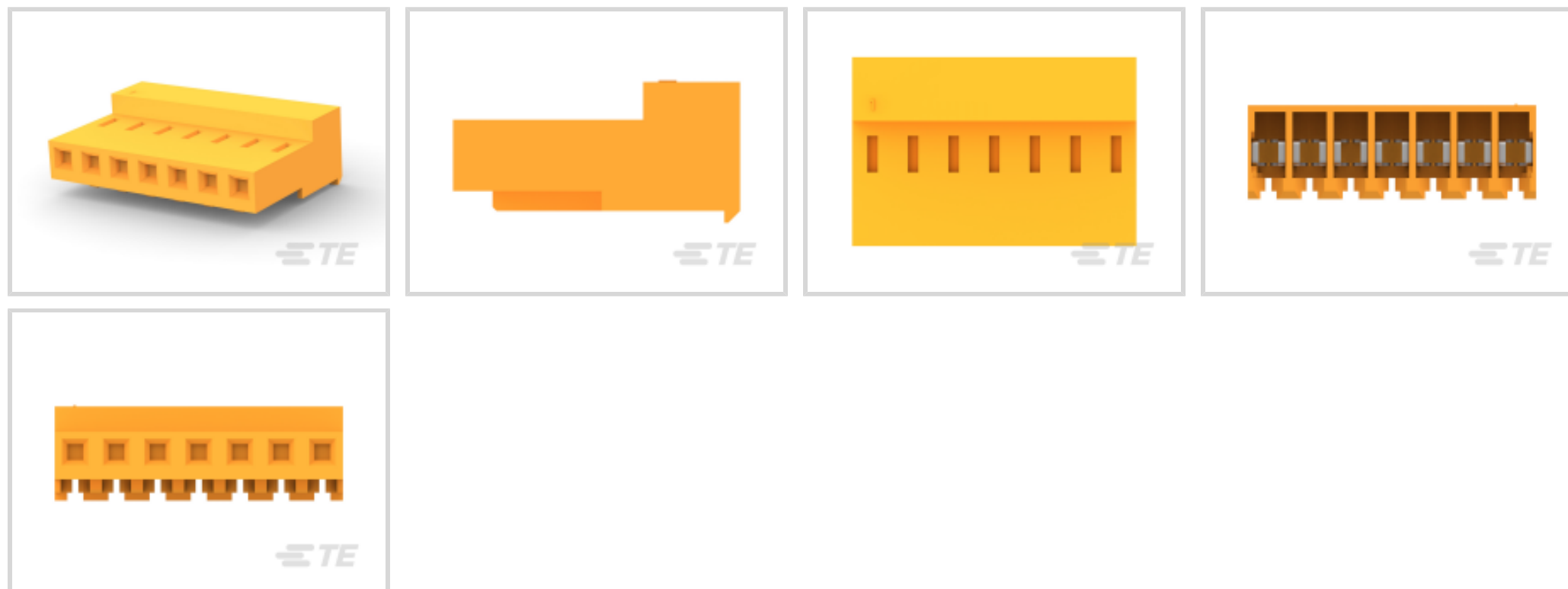
MTA 156

TE Internal #: 3-640431-7

Connector Assembly, Receptacle, Insulation Displacement (IDC),
Wire-to-Board, Tin (Sn), MTA 156, Rectangular Wire & Cable
Connectors & Housings

[View on TE.com >](#)

Connectors > Rectangular Connectors > Standard Rectangular Connectors



Connector Product Type: **Connector Assembly**

Connector & Housing Type: **Receptacle**

Mating Alignment: **Without**

Mating Retention: **Without**

Termination Method to Wire & Cable: **Insulation Displacement (IDC)**

Features

Product Type Features

| | |
|------------------------------------|--------------------|
| Compatible With Discrete Wire Type | Stranded |
| Connector Product Type | Connector Assembly |
| Connector & Housing Type | Receptacle |
| Connector System | Wire-to-Board |
| Sealable | No |
| Connector & Contact Terminates To | Wire & Cable |

Configuration Features

| | |
|---------------------------|---|
| Number of Power Positions | 7 |
| Number of Positions | 7 |
| Number of Rows | 1 |

Electrical Characteristics

| | |
|-------------------|---------|
| Operating Voltage | 600 VAC |
|-------------------|---------|

Body Features

| | |
|------------------|-----|
| Cable Exit Angle | 90° |
|------------------|-----|



| | |
|-----------------------|--------|
| Primary Product Color | Orange |
|-----------------------|--------|

Contact Features

| | |
|---|--|
| Wire Contact Termination Area Plating Material | Tin |
| Contact Mating Area Plating Material Thickness | 2.03 – 5.08 μm [80 – 200 μin] |
| Contact Layout | Inline |
| Contact Base Material | Copper Alloy |
| Wire Contact Termination Area Plating Thickness | 2.03 – 5.08 μm [80 – 200 μin] |
| Contact Type | Receptacle |
| Contact Mating Area Plating Material | Tin (Sn) |
| Contact Retention Within Housing | With |
| Contact Current Rating (Max) | 7 A |

Termination Features

| | |
|------------------------------------|-------------------------------|
| Termination Method to Wire & Cable | Insulation Displacement (IDC) |
|------------------------------------|-------------------------------|

Mechanical Attachment

| | |
|---------------------------------------|----------------------------|
| Strain Relief | With |
| Panel Mount Feature | Without |
| Contact Retention Type Within Housing | Locking Lance |
| Mating Alignment | Without |
| Mating Retention | Without |
| Connector Mounting Type | Cable Mount (Free-Hanging) |

Housing Features

| | |
|------------------------------------|------------------|
| Housing Material | Nylon |
| Wire & Cable IDC Installation Type | Closed End |
| Centerline (Pitch) | 3.96 mm[.156 in] |

Dimensions

| | |
|--------------------------------------|--------------------|
| Compatible Insulation Diameter Range | 2.41 mm[.095 in] |
| Connector Height | 9.02 mm[.355 in] |
| Wire Size | 18 AWG |
| Connector Length | 27.74 mm[1.092 in] |

Usage Conditions

| | |
|-----------------------------|--|
| Operating Temperature Range | -55 – 105 $^{\circ}\text{C}$ [-67 – 221 $^{\circ}\text{F}$] |
|-----------------------------|--|

Operation/Application



| | |
|---------------------|-------|
| Circuit Application | Power |
|---------------------|-------|

Industry Standards

| | |
|---|-------------------------------|
| Compatible With Agency/Standards Products | CSA, UL |
| UL Rating | Recognized |
| Compatible With Approved Standards Products | UL E28476 |
| CSA Rating | Certified, LR 7189 |
| Glow Wire Rating | Standard Part - Not Glow Wire |
| UL Flammability Rating | UL 94V-2 |

Packaging Features

| | |
|--------------------|-----------|
| Packaging Quantity | 250 |
| Packaging Method | Bag & Box |

Product Compliance

[For compliance documentation, visit the product page on TE.com>](#)

| | |
|---|---|
| EU RoHS Directive 2011/65/EU | Compliant |
| EU ELV Directive 2000/53/EC | Compliant |
| China RoHS 2 Directive MIIT Order No 32, 2016 | No Restricted Materials Above Threshold |
| EU REACH Regulation (EC) No. 1907/2006 | Current ECHA Candidate List: JAN 2025 (247) Candidate List Declared Against: JAN 2025 (247) Does not contain REACH SVHC |
| Halogen Content | Low Halogen - Br, Cl, F, I < 900 ppm per homogenous material. Also BFR/CFR/PVC Free |
| Solder Process Capability | Not applicable for solder process capability |

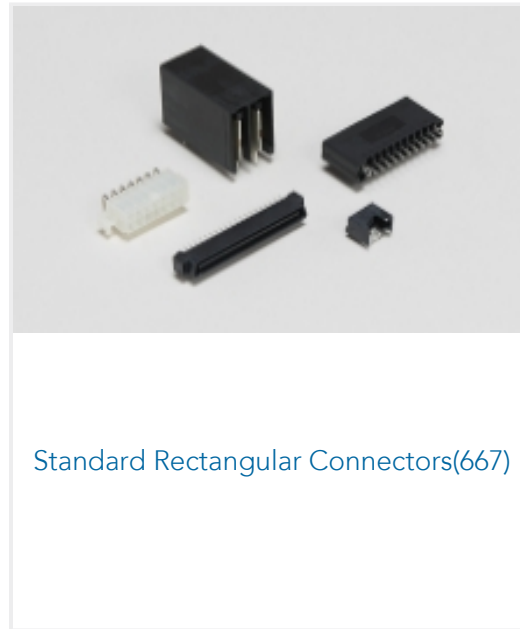
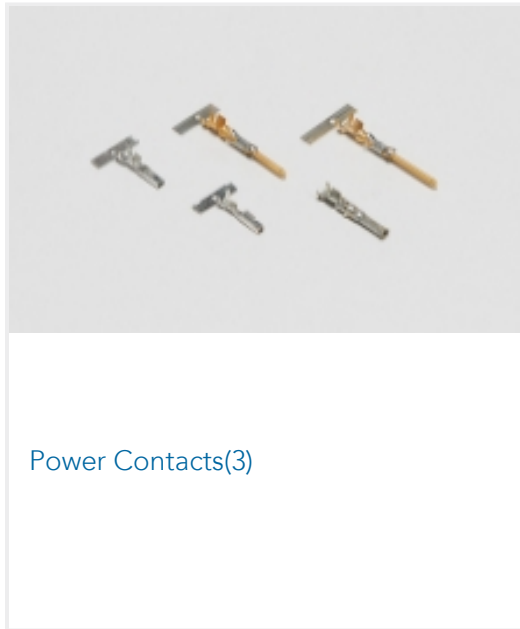
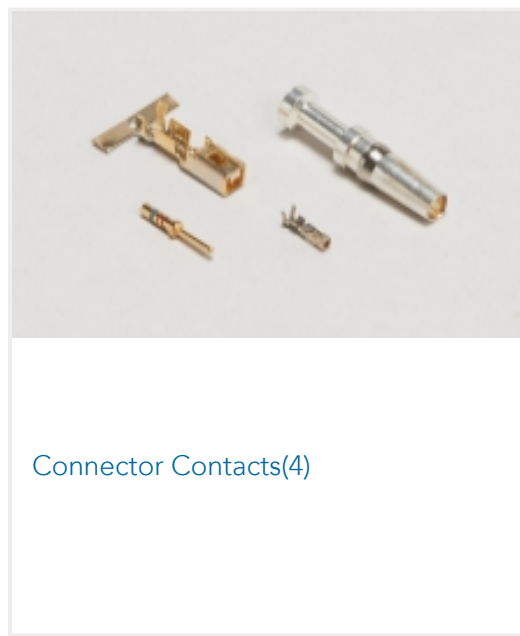
Product Compliance Disclaimer

This information is provided based on reasonable inquiry of our suppliers and represents our current actual knowledge based on the information they provided. This information is subject to change. The part numbers that TE has identified as EU RoHS compliant have a maximum concentration of 0.1% by weight in homogenous materials for lead, hexavalent chromium, mercury, PBB, PBDE, DBP, BBP, DEHP, DIBP, and 0.01% for cadmium, or qualify for an exemption to these limits as defined in the Annexes of Directive 2011/65/EU (RoHS2). Finished electrical and electronic equipment products will be CE marked as required by Directive 2011/65/EU. Components may not be CE marked. Additionally, the part numbers that TE has identified as EU ELV compliant have a maximum concentration of 0.1% by weight in homogenous materials for lead, hexavalent chromium, and mercury, and 0.01% for cadmium, or qualify for an exemption to these limits as defined in the Annexes of Directive 2000/53/EC (ELV). Regarding the REACH Regulation, the information TE provides on SVHC in articles for this part number is based on the latest European Chemicals Agency (ECHA) 'Guidance on requirements for substances in articles' posted at this URL: <https://echa.europa.eu/guidance-documents/guidance-on-reach>

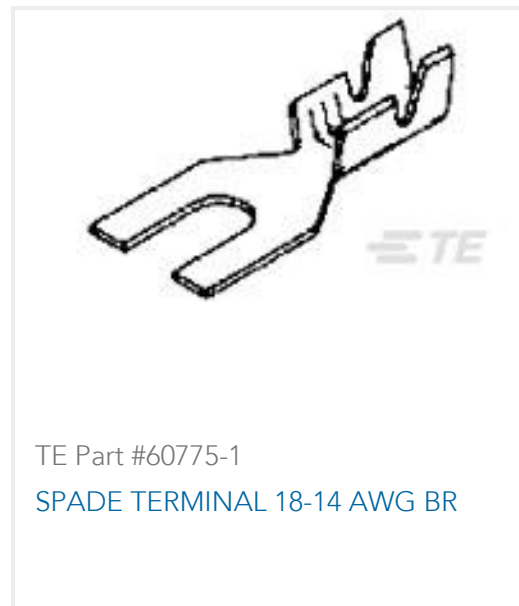
Compatible Parts



Also in the Series | [MTA 156](#)



Customers Also Bought



Documents



Product Drawings

[07P MTA156 CONN ASSY 18AWG ORA](#)

English

CAD Files

[3D PDF](#)

3D

Customer View Model

[ENG_CVM_CVM_3-640431-7_L.2d_dxf.zip](#)

English

Customer View Model

[ENG_CVM_CVM_3-640431-7_L.3d_igs.zip](#)

English

Customer View Model

[ENG_CVM_CVM_3-640431-7_L.3d_stp.zip](#)

English

By downloading the CAD file I accept and agree to the [Terms and Conditions](#) of use.

Product Specifications

[Application Specification](#)

Japanese

[Application Specification](#)

English

[MTA 156 Ribbon Cable Connector Assemblies \(English And Spanish\)](#)

English

[MTA 156 Ribbon Cable Connector Assemblies \(English And Spanish\)](#)

Japanese

[Application Specification](#)

English

Agency Approvals

[Agency Approval Document](#)

English