



Connectors > Connector Accessories > Connector Backshells > AMPSEAL 16 Connectors Backshell



Connector Backshell Product Type: **Backshell**

Primary Product Material: **PA 66**

Body Orientation: **Straight**

Number of Positions: **4**

Compatible With Connector Shape: **Rectangular**

[All AMPSEAL 16 Connectors Backshell \(81\)](#)

## Features

### Product Type Features

Connector Backshell Product Type	Backshell
----------------------------------	-----------

### Configuration Features

Number of Positions	4
---------------------	---

### Body Features

Cable Exit Angle	180°
Primary Product Color	Black
Primary Product Material	PA 66

### Housing Features

Body Orientation	Straight
Compatible With Connector Shape	Rectangular

### Usage Conditions

Operating Temperature (Max)	125 °C[212 °F]
Operating Temperature Range	-40 – 125 °C[-40 – 257 °F]



### Industry Standards

UL Flammability Rating	UL 94V-0
------------------------	----------

### Other

Serviceable	Yes
-------------	-----

### Product Compliance

[For compliance documentation, visit the product page on TE.com>](#)

EU RoHS Directive 2011/65/EU	Compliant
EU ELV Directive 2000/53/EC	Compliant
China RoHS 2 Directive MIIT Order No 32, 2016	No Restricted Materials Above Threshold
EU REACH Regulation (EC) No. 1907/2006	Current ECHA Candidate List: JAN 2025 (247) Candidate List Declared Against: JAN 2025 (247) Does not contain REACH SVHC
Halogen Content	Low Halogen - Br, Cl, F, I < 900 ppm per homogenous material. Also BFR/CFR/PVC Free
Solder Process Capability	Not applicable for solder process capability

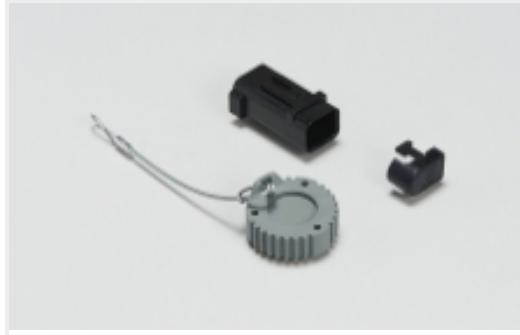
#### Product Compliance Disclaimer

This information is provided based on reasonable inquiry of our suppliers and represents our current actual knowledge based on the information they provided. This information is subject to change. The part numbers that TE has identified as EU RoHS compliant have a maximum concentration of 0.1% by weight in homogenous materials for lead, hexavalent chromium, mercury, PBB, PBDE, DBP, BBP, DEHP, DIBP, and 0.01% for cadmium, or qualify for an exemption to these limits as defined in the Annexes of Directive 2011/65/EU (RoHS2). Finished electrical and electronic equipment products will be CE marked as required by Directive 2011/65/EU. Components may not be CE marked. Additionally, the part numbers that TE has identified as EU ELV compliant have a maximum concentration of 0.1% by weight in homogenous materials for lead, hexavalent chromium, and mercury, and 0.01% for cadmium, or qualify for an exemption to these limits as defined in the Annexes of Directive 2000/53/EC (ELV). Regarding the REACH Regulation, the information TE provides on SVHC in articles for this part number is based on the latest European Chemicals Agency (ECHA) 'Guidance on requirements for substances in articles' posted at this URL: <https://echa.europa.eu/guidance-documents/guidance-on-reach>

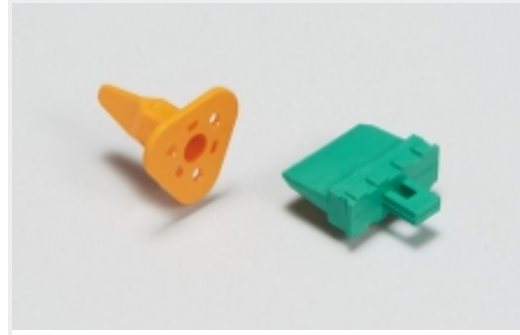
### Compatible Parts



### Also in the Series | AMPSEAL 16



Automotive Connector Caps & Covers (5)



Automotive Connector Locks & Position Assurance(6)



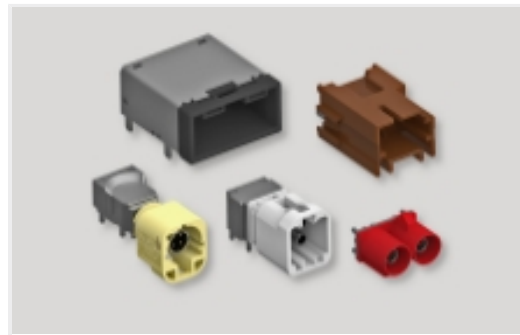
Automotive Housings(239)



Connector Backshells(84)



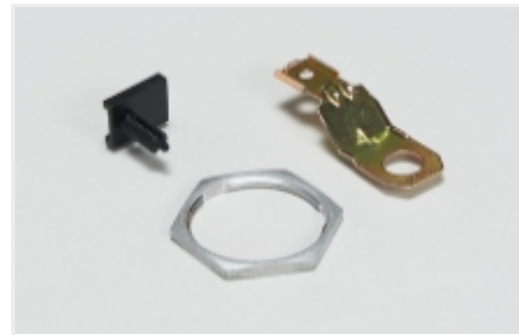
Connector Seals & Cavity Plugs(10)



Data Connectivity Headers(2)



Data Connectivity Housings(3)



Other Automotive Connector Accessories(8)

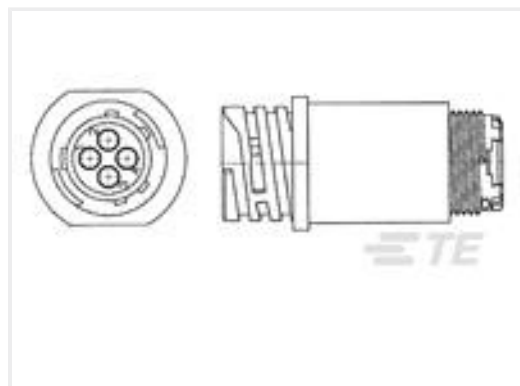


Rectangular Backshells & Clamps(74)

### Customers Also Bought



TE Part #2292801-2  
AS16, PLUG BACKSHELL KIT, ST, 08P, NC20



TE Part #796287-1  
RCPT. ASSY, 23-37 STD SEX FREE HG



TE Part #CAT-D799-CH8172  
DEUTSCH DRC Housings



TE Part #2138839-2  
PLUG ASSY, 28 POS, KEY B, AMPSEAL 16 HL



TE Part #CAT-H396-CH8172  
DEUTSCH HDP20 Housings



## Documents

### Product Drawings

[AS16,CAP BACKSHELL KIT,ST,04P,NC16](#)

English

---

### CAD Files

[3D PDF](#)

3D

Customer View Model

[ENG\\_CVM\\_CVM\\_2292862-2\\_A.2d\\_dxf.zip](#)

English

Customer View Model

[ENG\\_CVM\\_CVM\\_2292862-2\\_A.3d\\_igs.zip](#)

English

Customer View Model

[ENG\\_CVM\\_CVM\\_2292862-2\\_A.3d\\_stp.zip](#)

English

By downloading the CAD file I accept and agree to the [Terms and Conditions](#) of use.

---

### Datasheets & Catalog Pages

[AMPSEAL 16 CONNECTOR SERIES](#)

English

[ICT Terminals and Connectors Catalogue](#)

English

[CONNECTOR SELECTOR](#)

English

---

### Product Specifications

[Application Specification](#)

English

---

### Instruction Sheets

[Instruction Sheet \(U.S.\)](#)

English