

2-745492-0 ✓ ACTIVE

AMPLIMITE | AMPLIMITE HDE

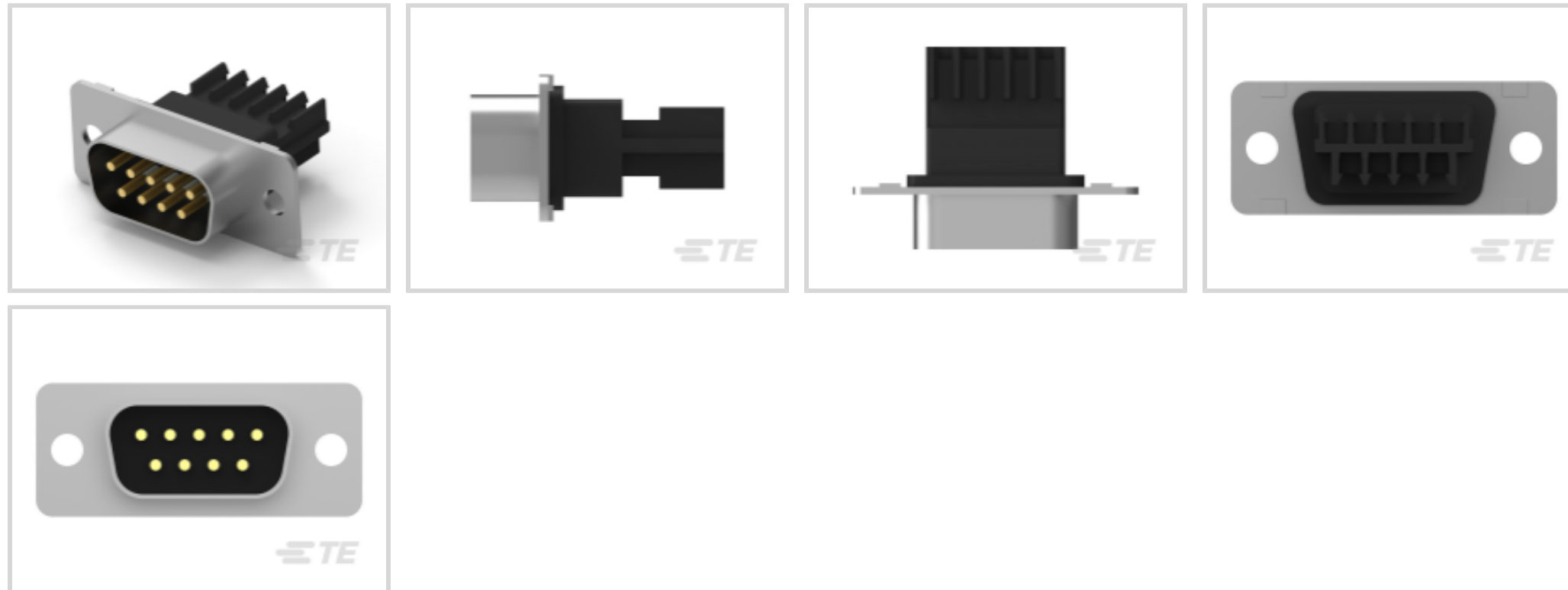
TE Internal #: 2-745492-0

9 Position D-Shaped Connector, Plug, Wire-to-Wire, Cable Mount (Free-Hanging), 1 Shell Size, 1.38 mm [.054 in] Centerline, Wire & Cable, AMPLIMITE HDE

[View on TE.com >](#)



Connectors > D-Shaped Connectors > IDC D-Sub: Plug Assembly, Wire to Wire, Signal, 2.77 mm



Number of Positions: 9

Connector & Housing Type: Plug

Connector System: Wire-to-Wire

Connector Mounting Type: Cable Mount (Free-Hanging)

Connector Shell Size: 1

[All IDC D-Sub: Plug Assembly, Wire to Wire, Signal, 2.77 mm \(20\)](#)

Features

Product Type Features

| | |
|-----------------------------------|--------------------|
| Shell Material Configuration | Full Metal Shell |
| Ground Feature Type | Grounding Indents |
| Connector Product Type | Connector Assembly |
| Connector & Housing Type | Plug |
| Connector System | Wire-to-Wire |
| Connector Shell Size | 1 |
| Connector & Contact Terminates To | Wire & Cable |

Configuration Features

| | |
|-----------------------------------|-------------------------------------|
| Compatible With Wire & Cable Type | Discrete Wire, Round Jacketed Cable |
| Number of Rows | 2 |
| Number of Positions | 9 |

Body Features



| | |
|------------------------|---------------|
| Shell Plating Material | Tin |
| Cable Exit Angle | 180° |
| Insert Material | Thermoplastic |

Contact Features

| | |
|---|-----------|
| Contact Size | Size 20 |
| | 30 μin |
| Contact Type | Pin |
| Wire Contact Termination Area Plating Material Finish | Matte |
| Contact Current Rating (Max) | 2.4 A |
| Contact Options | Installed |

Termination Features

| | |
|------------------------------------|-------------------------------|
| Termination Method to Wire & Cable | Insulation Displacement (IDC) |
|------------------------------------|-------------------------------|

Mechanical Attachment

| | |
|-------------------------|----------------------------|
| Mating Retention | With |
| Mating Retention Type | Mounting Holes |
| Connector Mounting Type | Cable Mount (Free-Hanging) |

Housing Features

| | |
|--------------------|-------------------|
| Shell Material | Steel |
| Centerline (Pitch) | 1.38 mm [.054 in] |

Dimensions

| | |
|-----------------|-------------|
| Solid Wire Size | 26 – 22 AWG |
| Wire Size | 26 – 22 AWG |

Usage Conditions

| | |
|-----------------------------|-----------------------------|
| Operating Temperature Range | -55 – 105 °C [-67 – 221 °F] |
|-----------------------------|-----------------------------|

Operation/Application

| | |
|---------------------|--------|
| Shielded | No |
| Circuit Application | Signal |

Industry Standards

| | |
|------------------------|----------|
| UL Flammability Rating | UL 94V-0 |
|------------------------|----------|

Packaging Features

| | |
|------------------|---------|
| Packaging Method | Package |
|------------------|---------|



Packaging Quantity

140

Product Compliance

[For compliance documentation, visit the product page on TE.com>](#)

| | |
|---|---|
| EU RoHS Directive 2011/65/EU | Compliant |
| EU ELV Directive 2000/53/EC | Compliant |
| China RoHS 2 Directive MIIT Order No 32, 2016 | No Restricted Materials Above Threshold |
| EU REACH Regulation (EC) No. 1907/2006 | Current ECHA Candidate List: JAN 2025 (247) Candidate List Declared Against: JAN 2025 (247) Does not contain REACH SVHC |
| Halogen Content | Not Low Halogen - contains Br or Cl > 900 ppm. |
| Solder Process Capability | Not applicable for solder process capability |

Product Compliance Disclaimer

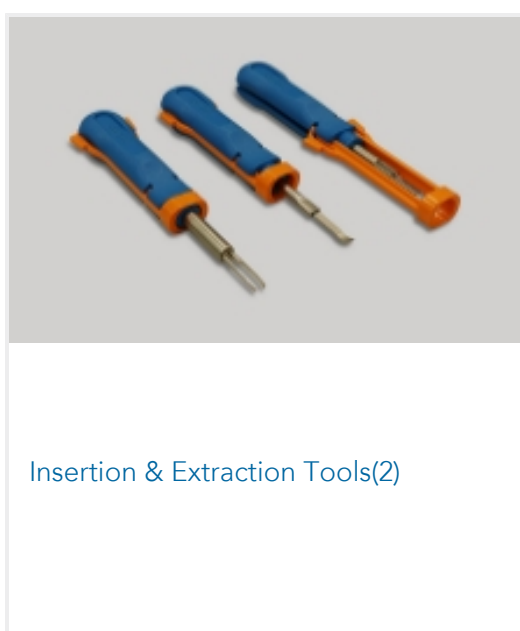
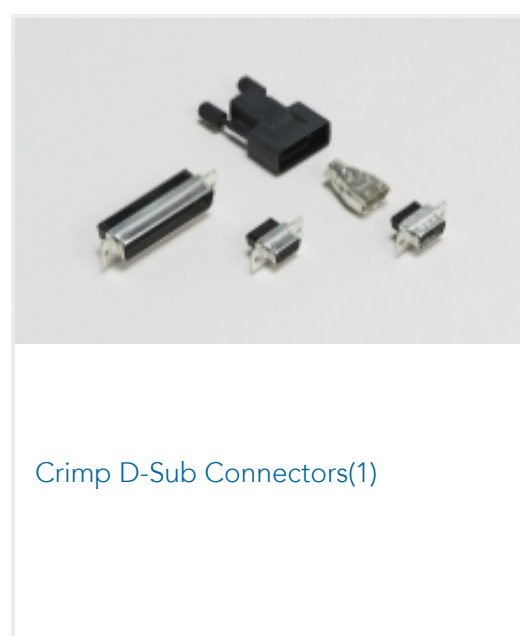
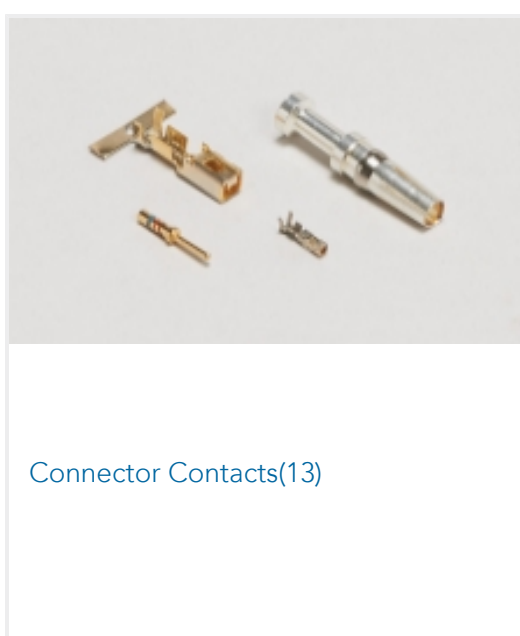
This information is provided based on reasonable inquiry of our suppliers and represents our current actual knowledge based on the information they provided. This information is subject to change. The part numbers that TE has identified as EU RoHS compliant have a maximum concentration of 0.1% by weight in homogenous materials for lead, hexavalent chromium, mercury, PBB, PBDE, DBP, BBP, DEHP, DIBP, and 0.01% for cadmium, or qualify for an exemption to these limits as defined in the Annexes of Directive 2011/65/EU (RoHS2). Finished electrical and electronic equipment products will be CE marked as required by Directive 2011/65/EU. Components may not be CE marked. Additionally, the part numbers that TE has identified as EU ELV compliant have a maximum concentration of 0.1% by weight in homogenous materials for lead, hexavalent chromium, and mercury, and 0.01% for cadmium, or qualify for an exemption to these limits as defined in the Annexes of Directive 2000/53/EC (ELV). Regarding the REACH Regulation, the information TE provides on SVHC in articles for this part number is based on the latest European Chemicals Agency (ECHA) 'Guidance on requirements for substances in articles' posted at this URL: <https://echa.europa.eu/guidance-documents/guidance-on-reach>

Compatible Parts

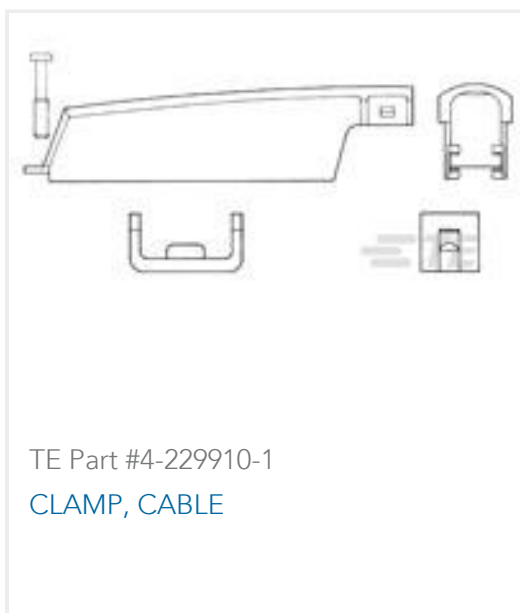




Also in the Series | **AMPLIMITE HDE**



Customers Also Bought



Documents

Product Drawings

[PLUG ASSY, 9P, HDE, MS](#)

English

CAD Files

Customer View Model

[ENG_CVM_2-745492-0_R.2d_dxf.zip](#)

English

Customer View Model

[ENG_CVM_2-745492-0_R.3d_igs.zip](#)

English

Customer View Model

[ENG_CVM_2-745492-0_R.3d_stp.zip](#)

English

[3D PDF](#)

English

By downloading the CAD file I accept and agree to the [Terms and Conditions](#) of use.

Datasheets & Catalog Pages



[AMPLIMITE Subminiature D Connectors - Cable Connectors](#)

English

[AMPLIMITE Cable Connectors and Shielding Hardware Kits QRG](#)

English

[Product Specifications](#)

[Application Specification](#)

English

[Instruction Sheets](#)

[Instruction Sheet \(U.S.\)](#)

English