

2-179694-6 ✓ ACTIVE

AMP CT

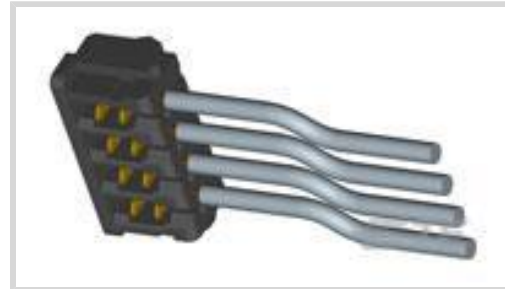
TE Internal #: 2-179694-6

Connector Assembly, Receptacle, Insulation Displacement (IDC),
Wire-to-Board, 6 Position, AMP CT, Rectangular Wire & Cable
Connectors & Housings

[View on TE.com >](#)



Connectors > Rectangular Connectors > Standard Rectangular Connectors > AMP COMMON TERMINATION HOUSINGS



Connector Product Type: **Connector Assembly**

Connector & Housing Type: **Receptacle**

Mating Retention: **With**

Mating Retention Type: **Locking**

Termination Method to Wire & Cable: **Insulation Displacement (IDC)**

[All AMP COMMON TERMINATION HOUSINGS \(176\)](#)

Features

Product Type Features

Connector Product Type	Connector Assembly
Connector & Housing Type	Receptacle
Connector System	Wire-to-Board
Sealable	No
Connector & Contact Terminates To	Wire & Cable

Configuration Features

Number of Positions	6
Number of Rows	1

Body Features

Primary Product Color	Gray
-----------------------	------

Contact Features

Contact Current Rating (Max)	3 A
------------------------------	-----

Termination Features

Termination Method to Wire & Cable	Insulation Displacement (IDC)
------------------------------------	-------------------------------

Mechanical Attachment

Mating Retention	With
------------------	------



Mating Retention Type	Locking
Connector Mounting Type	Cable Mount (Free-Hanging)

Housing Features

Housing Material	PBT GF
Centerline (Pitch)	2 mm[.079 in]

Usage Conditions

Operating Temperature Range	-30 – 105 °C[-22 – 221 °F]
-----------------------------	----------------------------

Operation/Application

Circuit Application	Power & Signal
---------------------	----------------

Product Compliance

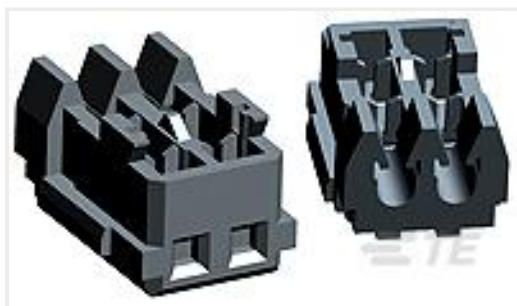
For compliance documentation, visit the product page on [TE.com](https://www.te.com)>

EU RoHS Directive 2011/65/EU	Compliant
EU ELV Directive 2000/53/EC	Compliant
China RoHS 2 Directive MIIT Order No 32, 2016	No Restricted Materials Above Threshold
EU REACH Regulation (EC) No. 1907/2006	Current ECHA Candidate List: JAN 2025 (247) Candidate List Declared Against: JAN 2025 (247) Does not contain REACH SVHC
Halogen Content	Not Low Halogen - contains Br or Cl > 900 ppm.
Solder Process Capability	Not applicable for solder process capability

Product Compliance Disclaimer

This information is provided based on reasonable inquiry of our suppliers and represents our current actual knowledge based on the information they provided. This information is subject to change. The part numbers that TE has identified as EU RoHS compliant have a maximum concentration of 0.1% by weight in homogenous materials for lead, hexavalent chromium, mercury, PBB, PBDE, DBP, BBP, DEHP, DIBP, and 0.01% for cadmium, or qualify for an exemption to these limits as defined in the Annexes of Directive 2011/65/EU (RoHS2). Finished electrical and electronic equipment products will be CE marked as required by Directive 2011/65/EU. Components may not be CE marked. Additionally, the part numbers that TE has identified as EU ELV compliant have a maximum concentration of 0.1% by weight in homogenous materials for lead, hexavalent chromium, and mercury, and 0.01% for cadmium, or qualify for an exemption to these limits as defined in the Annexes of Directive 2000/53/EC (ELV). Regarding the REACH Regulation, the information TE provides on SVHC in articles for this part number is based on the latest European Chemicals Agency (ECHA) 'Guidance on requirements for substances in articles' posted at this URL: <https://echa.europa.eu/guidance-documents/guidance-on-reach>

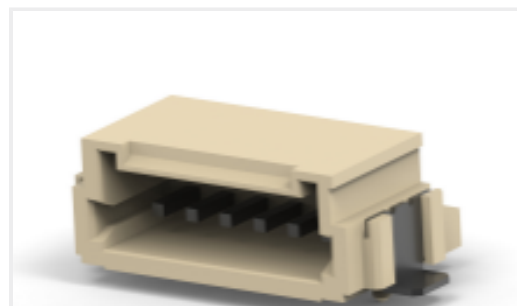
Compatible Parts



TE Part # 5-292271-6
MT REC ASSY AU-PL. 6P BLUE



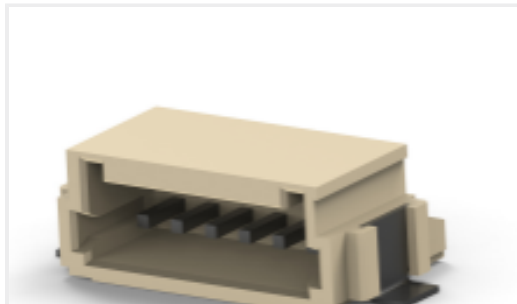
TE Part # 292164-6
CT P/HDR BOX H ASSY 6P T/P NAT



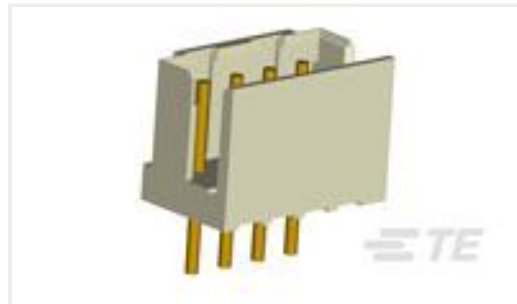
TE Part # 292227-6
1.5 MINI CT SGL H SMT W BOSS 6



TE Part # 292250-6
CT P/HDR BOX H ASSY 6P W/KINK



TE Part # 292228-6
1.5 MINI CT SGL H SMT W/O BOSS



TE Part # 292165-6
CT P/HDR BOX V 6P T/P NAT



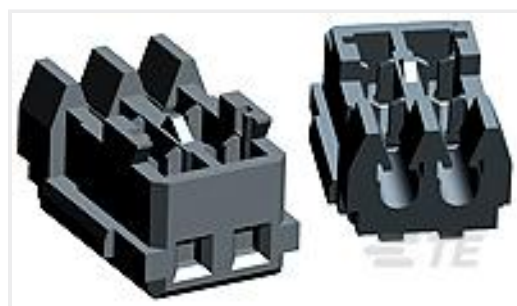
TE Part # 292215-6
MINI CT SGL RELAY 6P NAT



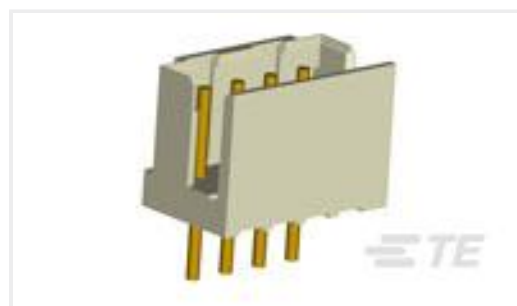
TE Part # CAT-AM7017-H342
AMP COMMON TERMINATION HEADERS



TE Part # CAT-3980407-RHDRRA
CT 2mm Header Assembly: Right Angle



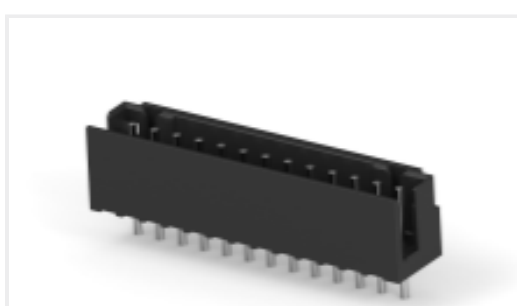
TE Part # 292271-6
MT REC ASSY AU-PL. 6P GRAY



TE Part # 292134-6
CT BOX HDR ASSY V 6P AU W/KINK



TE Part # CAT-3980655-RHAFH
CT Relay Header Assembly: Free Hanging



TE Part # CAT-3983178-PHBXVD
CT 2mm Post Header Asmbly: Box V DIP



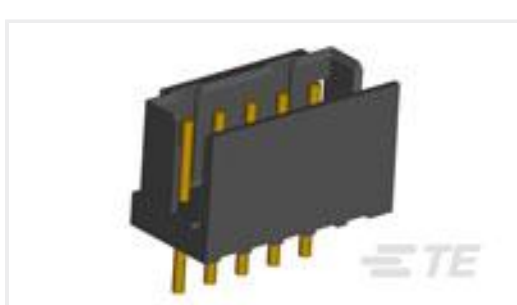
TE Part # CAT-3984552-PHITPS
CT Post Header Assembly: Part. Shrouded



TE Part # CAT-3984552-BHTHVS
CT Box Header SMT: Vert, Shrouded



TE Part # 58372-1
HEAD (IDC) 2MM C.T. W/O TL



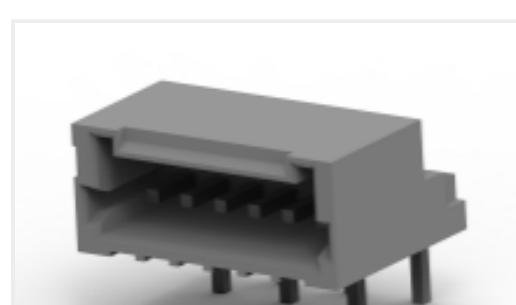
TE Part # 292166-6
CT P/HDR BOX V 6P T/P NAT W/O



TE Part # CAT-3980408-PHDWKV
CT 2mm Post Header Assembly with Kink - Vertical



TE Part # 292207-6
MINI CT SGL DIP V 6P NAT



TE Part # 292206-6
MINI CT SGL DIP H 6P NAT

Also in the Series | **AMP CT**



Connector Contacts(8)



Connector Hardware(46)



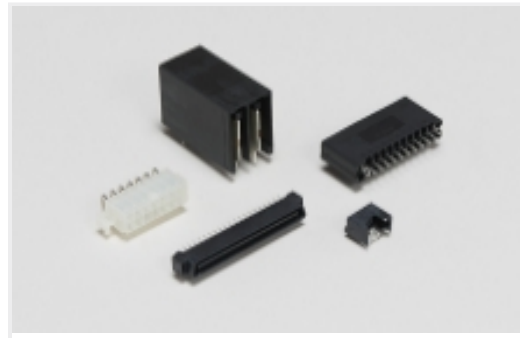
PCB Headers & Receptacles(756)



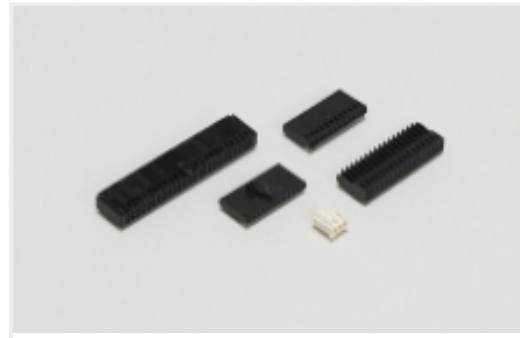
Rectangular Connector Housings(90)



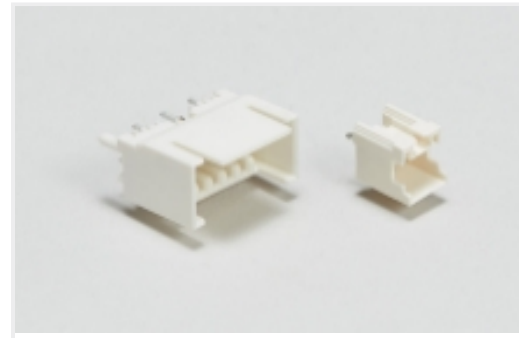
Rectangular Power Connectors(924)



Standard Rectangular Connectors(176)



Wire-to-Board Connector Assemblies & Housings(79)



Wire-to-Board Headers & Receptacles (756)

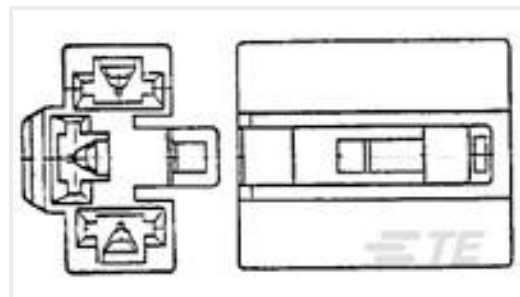
Customers Also Bought



TE Part #7-353908-0
CT REC HSG 10P CRIMP TYPE BLU



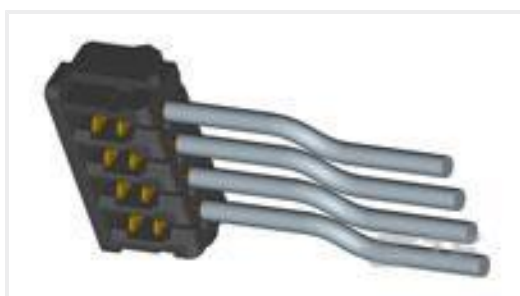
TE Part #4-292254-2
CT RELAY HDR ASSY 2P YELLOW



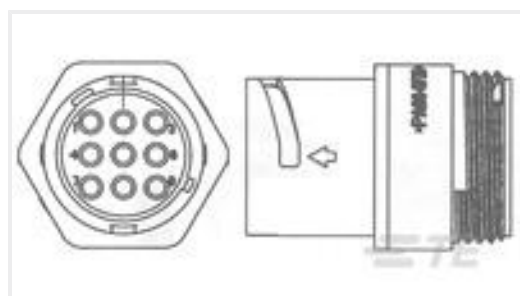
TE Part #176774-1
FF 250 PLUG HSG 3P NYLON NAT



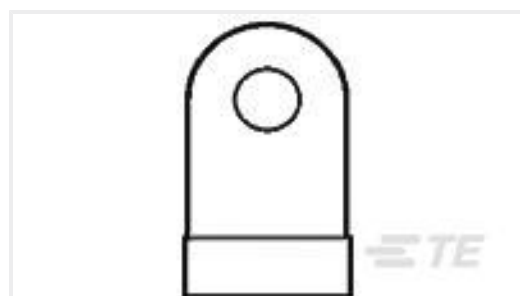
TE Part #1-770193-0
UMNLI GRND PIN DUPL AU/BR



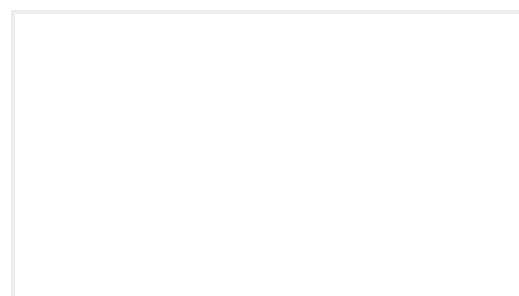
TE Part #2-179694-3
2MM CT MT REC ASSY 3P GRAY



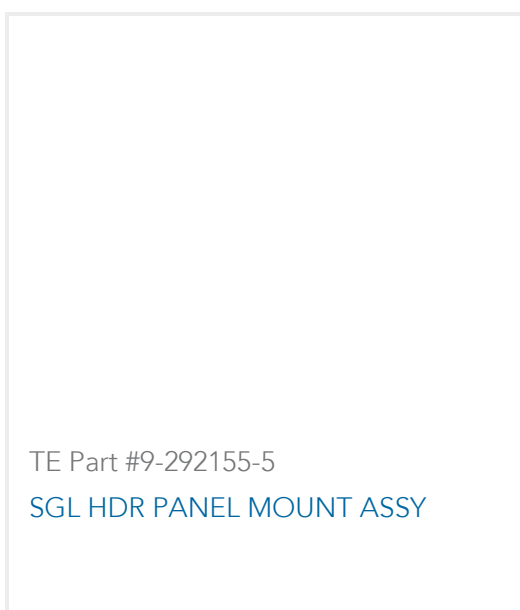
TE Part #1445828-3
REC,11-6,FRE HNG,LG INS,STD KE



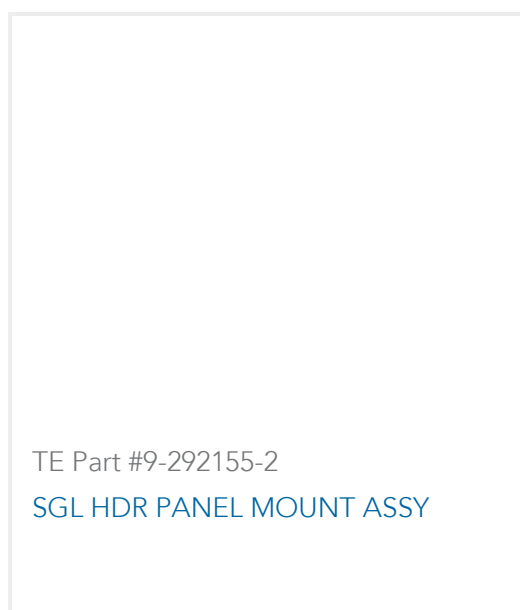
TE Part #321277-1
TERMINAL,SOLIS FLAG R 4/0 3/8



TE Part #9-292155-4
SGL HDR PANEL MOUNT ASSY



TE Part #9-292155-5
SGL HDR PANEL MOUNT ASSY



TE Part #9-292155-2
SGL HDR PANEL MOUNT ASSY

Documents



CAD Files

3D PDF

3D

Customer View Model

[ENG_CVM_CVM_2-179694-6_F.2d_dxf.zip](#)

English

Customer View Model

[ENG_CVM_CVM_2-179694-6_F.3d_igs.zip](#)

English

Customer View Model

[ENG_CVM_CVM_2-179694-6_F.3d_stp.zip](#)

English

By downloading the CAD file I accept and agree to the [Terms and Conditions](#) of use.

Datasheets & Catalog Pages

[POWER_CONNECTORS_CATALOG_SEC02_CABLE_MOUNTED](#)

English

Product Specifications

Application Specification

English

[Crimping of AMP 2.0mm Pitch, CT Crimp Typell Rec Contact](#)

English

Application Specification

English