

2-111494-4 ✓ ACTIVE

AMP-LATCH

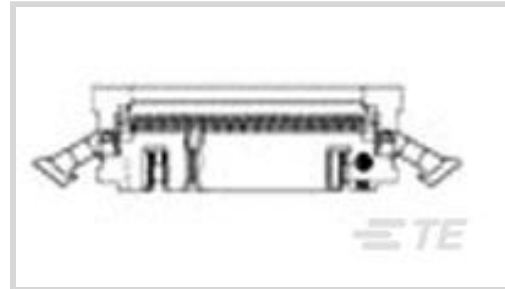
TE Internal #: 2-111494-4

Wire-to-Wire, 50 Position, 2.54 mm [.1 in] Centerline, 2 Row, Plug,
Low Profile, Wire & Cable, Signal, Panel Mount, Ribbon Cable
Connectors

[View on TE.com >](#)



Connectors > PCB Connectors > Wire-to-Board Connectors > FFC, FPC & Ribbon Connectors > Ribbon Cable Connectors



Connector System: **Wire-to-Wire**

Number of Positions: **50**

Centerline (Pitch): **2.54 mm [.1 in]**

PCB Mount Retention: **Without**

Row-to-Row Spacing: **2 mm [.1 in]**

Features

Product Type Features

Connector Product Type	Connector Assembly
Ribbon Cable Connector Header Type	Shrouded
Connector System	Wire-to-Wire
Connector & Housing Type	Plug
Connector & Contact Terminates To	Wire & Cable

Configuration Features

Number of Positions	50
Number of Rows	2

Electrical Characteristics

Operating Voltage	250 VAC
Insulation Resistance	5000 MΩ

Body Features

Daisy Chain	Without
Primary Product Color	Black
Connector Profile	Low

Contact Features

PCB Contact Termination Area Plating Material Finish	Matte
Contact Mating Area Plating Material Thickness	.76 μm[29.92 μin][30 μin]



Wire Contact Termination Area Plating Material	Tin
Mating Square Post Dimension	.64 mm[.025 in]
Contact Shape & Form	Dual Beam
Contact Mating Area Length	6.1 mm[.24 in]
Contact Base Material	Phosphor Bronze
PCB Contact Termination Area Plating Material	Tin
Wire Contact Termination Area Plating Thickness	2.54 μ m[100 μ in]
Contact Type	Pin
Contact Current Rating (Max)	1 A

Termination Features

Termination Method to Wire & Cable	Insulation Displacement (IDC)
Termination Post & Tail Length	3.3 mm[.13 in]

Mechanical Attachment

Panel Mount Feature	With
Panel Mount Feature Type	Mounting Ears
Mating Alignment	With
PCB Mount Retention	Without
Mating Alignment Type	Keyed
Mating Retention	With
Mating Retention Type	Ejection Latch
Connector Mounting Type	Panel Mount

Housing Features

Housing Material	Thermoplastic
Centerline (Pitch)	2.54 mm[.1 in]

Dimensions

Compatible Insulation Diameter Range	.81 – .97 mm[.032 – .038 in]
Shrouded End Dimension	3.81 mm[.15 in]
Connector Width	8.38 mm[.33 in]
Wire Size	28 – 26 AWG
Connector Height	23.75 mm[.935 in]
Connector Length	88.29 mm[3.476 in]
Row-to-Row Spacing	2 mm[.1 in]



Usage Conditions

Operating Temperature Range	-65 – 105 °C[-85 – 221 °F]
-----------------------------	----------------------------

Operation/Application

Circuit Application	Signal
---------------------	--------

Industry Standards

Compatible With Agency/Standards Products	CSA, UL
UL Rating	Recognized
UL Flammability Rating	UL 94V-0
Compatible With Approved Standards Products	CSA LR7189, UL E28476

Packaging Features

Packaging Quantity	30
Packaging Method	Box & Tray, Tray

Product Compliance

[For compliance documentation, visit the product page on TE.com>](#)

EU RoHS Directive 2011/65/EU	Compliant
EU ELV Directive 2000/53/EC	Compliant
China RoHS 2 Directive MIIT Order No 32, 2016	No Restricted Materials Above Threshold
EU REACH Regulation (EC) No. 1907/2006	Current ECHA Candidate List: JAN 2025 (247) Candidate List Declared Against: JAN 2025 (247) Does not contain REACH SVHC
Halogen Content	Not Low Halogen - contains Br or Cl > 900 ppm.
Solder Process Capability	Not applicable for solder process capability

Product Compliance Disclaimer

This information is provided based on reasonable inquiry of our suppliers and represents our current actual knowledge based on the information they provided. This information is subject to change. The part numbers that TE has identified as EU RoHS compliant have a maximum concentration of 0.1% by weight in homogenous materials for lead, hexavalent chromium, mercury, PBB, PBDE, DBP, BBP, DEHP, DIBP, and 0.01% for cadmium, or qualify for an exemption to these limits as defined in the Annexes of Directive 2011/65/EU (RoHS2). Finished electrical and electronic equipment products will be CE marked as required by Directive 2011/65/EU. Components may not be CE marked. Additionally, the part numbers that TE has identified as EU ELV compliant have a maximum concentration of 0.1% by weight in homogenous materials for lead, hexavalent chromium, and mercury, and 0.01% for cadmium, or qualify for an exemption to these limits as defined in the Annexes of Directive 2000/53/EC (ELV). Regarding the REACH Regulation, the information TE provides on SVHC in articles for this part number is based on the latest European Chemicals Agency (ECHA) 'Guidance on requirements for substances in articles' posted at this URL: <https://echa.europa.eu/guidance-documents/guidance-on-reach>



Compatible Parts



TE Part # 2-1658528-0
636-5030LF=FEM SKT BLADE POL 1



TE Part # 1-1658620-0
50 NOVO MIL 15DP, LEAD FREE



TE Part # 1-1658527-4
622-5030LF FEM SOCKT,LEAD FREE



TE Part # 1-1658624-0
050 NOVO DUAL 30DP FT



TE Part # 1-1658623-0
50 NOVO MIL 30DP, LEAD FREE



TE Part # 1-1658621-0
50 NOVO MIL/CTR 15DP,LEAD FREE



TE Part # 2-1658526-3
609-5030LF FEM SOCKT,LEAD FREE



TE Part # 1-1658622-0
50 NOVO MIL/CTR 30DP,LEAD FREE

Customers Also Bought



TE Part #1658622-8
34 NOVO MIL/CTR 30DP,LEAD FREE



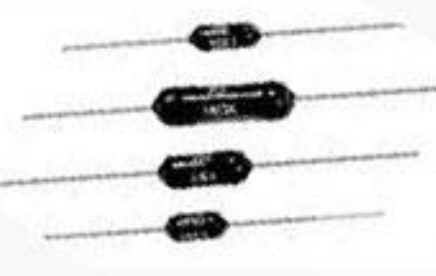
TE Part #1-1658621-0
50 NOVO MIL/CTR 15DP,LEAD FREE



TE Part #5103308-3
A/L LOW PRO HDR 16P VERT BLACK



TE Part #494495-000
202D132-4/180-0



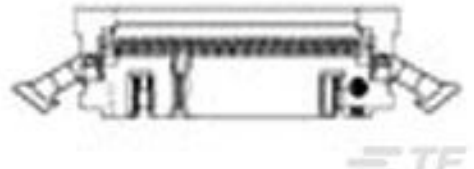
TE Part #7-1879621-2
H4P 9K1 1% 50PPM



TE Part #YDTS20W15-18SAV001
RECP ASSY



TE Part #1-1658621-2
64 NOVO MIL/CTR 15DP,LEAD FREE



TE Part #2-111494-6
064 UNIV I/O 30DP SLOT LTCH



TE Part #1658622-3
16 NOVO MIL/CTR 30DP,LEAD FREE



TE Part #YDTS26W11-98PBV001
PLUG ASSY



Documents

Product Drawings

[050 UNIV I/O 30DP SLOT LTCH](#)

English

CAD Files

[3D PDF](#)

3D

Customer View Model

[ENG_CVM_CVM_2-111494-4_K.2d_dxf.zip](#)

English

Customer View Model

[ENG_CVM_CVM_2-111494-4_K.3d_igs.zip](#)

English

Customer View Model

[ENG_CVM_CVM_2-111494-4_K.3d_stp.zip](#)

English

By downloading the CAD file I accept and agree to the [Terms and Conditions](#) of use.

Datasheets & Catalog Pages

[Ribbon Cable Interconnect Solutions](#)

English

Product Specifications

[Application Specification](#)

English

Instruction Sheets

[Removal Tool for Universal Header Latches](#)

English

[Instruction Sheet \(U.S.\)](#)

English

Agency Approvals

[Agency Approval Document](#)

English