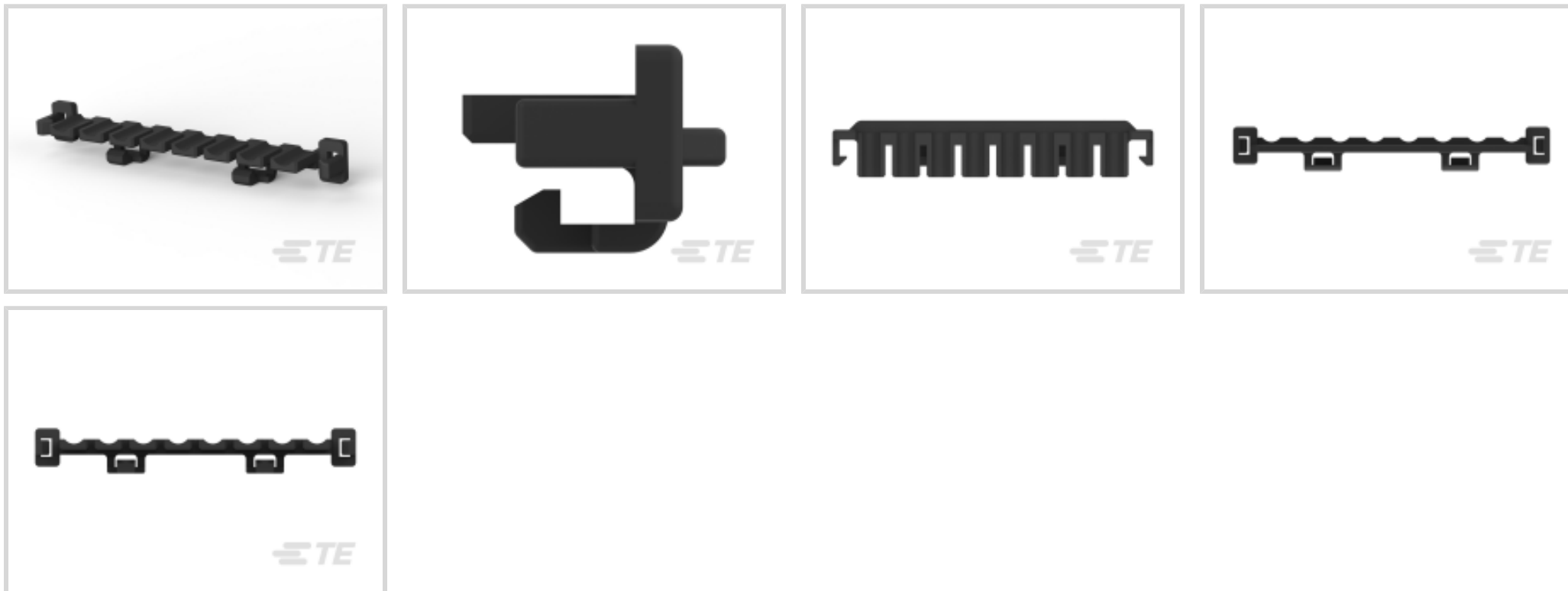




Connectors > Connector Accessories > Connector Hardware



Connector Hardware Accessory Type: **TPA (Terminal Position Assurance)**

Number of Positions: **8**

Operating Temperature (Max): **105 °C [221 °F]**

Operating Temperature Range: **-40 – 105 °C [-40 – 221 °F]**

Hardware Accessory Function: **Position Assurance**

Features

Product Type Features

Connector Hardware Accessory Type	TPA (Terminal Position Assurance)
Hardware Accessory Function	Position Assurance

Configuration Features

Number of Positions	8
---------------------	---

Dimensions

Product Width	5.4 mm [.213 in]
Product Length	38.8 mm [1.528 in]
Product Height	4.35 mm [.171 in]

Usage Conditions

Operating Temperature (Max)	105 °C [221 °F]
Operating Temperature Range	-40 – 105 °C [-40 – 221 °F]

Industry Standards

UL Flammability Rating	UL 94V-0
Glow Wire Rating	Standard Part - Not Glow Wire

Packaging Features



Packaging Method	Bag/Box
Packaging Quantity	7000

Product Compliance

[For compliance documentation, visit the product page on TE.com>](#)

EU RoHS Directive 2011/65/EU	Compliant
EU ELV Directive 2000/53/EC	Compliant
China RoHS 2 Directive MIIT Order No 32, 2016	No Restricted Materials Above Threshold
EU REACH Regulation (EC) No. 1907/2006	Current ECHA Candidate List: JAN 2025 (247) Candidate List Declared Against: JAN 2025 (247) Does not contain REACH SVHC
Halogen Content	Low Halogen - Br, Cl, F, I < 900 ppm per homogenous material. Also BFR/CFR/PVC Free
Solder Process Capability	Not reviewed for solder process capability

Product Compliance Disclaimer

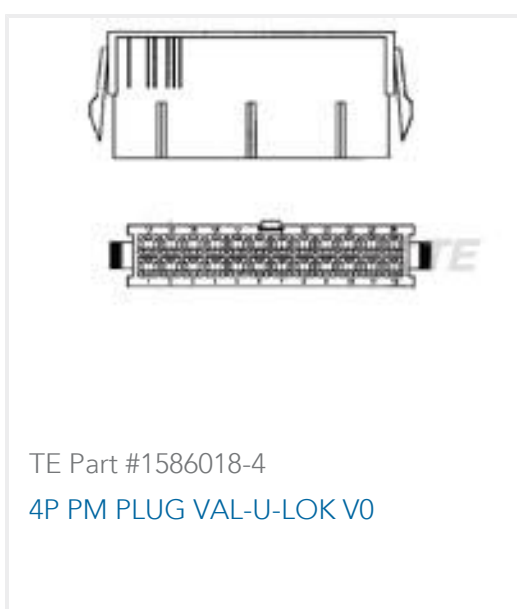
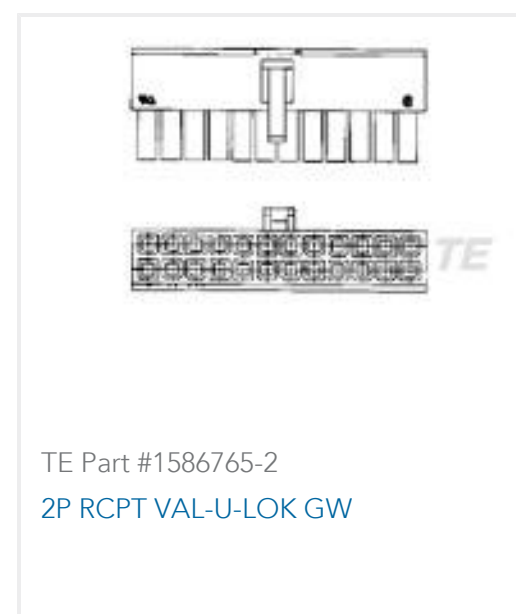
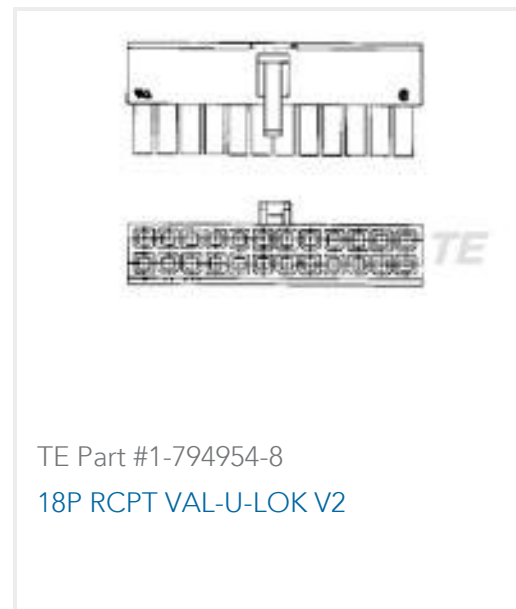
This information is provided based on reasonable inquiry of our suppliers and represents our current actual knowledge based on the information they provided. This information is subject to change. The part numbers that TE has identified as EU RoHS compliant have a maximum concentration of 0.1% by weight in homogenous materials for lead, hexavalent chromium, mercury, PBB, PBDE, DBP, BBP, DEHP, DIBP, and 0.01% for cadmium, or qualify for an exemption to these limits as defined in the Annexes of Directive 2011/65/EU (RoHS2). Finished electrical and electronic equipment products will be CE marked as required by Directive 2011/65/EU. Components may not be CE marked. Additionally, the part numbers that TE has identified as EU ELV compliant have a maximum concentration of 0.1% by weight in homogenous materials for lead, hexavalent chromium, and mercury, and 0.01% for cadmium, or qualify for an exemption to these limits as defined in the Annexes of Directive 2000/53/EC (ELV). Regarding the REACH Regulation, the information TE provides on SVHC in articles for this part number is based on the latest European Chemicals Agency (ECHA) 'Guidance on requirements for substances in articles' posted at this URL: <https://echa.europa.eu/guidance-documents/guidance-on-reach>

Compatible Parts





Customers Also Bought



Documents



Product Drawings

[8P VAL-U-LOK TPA 22-18 AWG](#)

English

CAD Files

[3D PDF](#)

3D

Customer View Model

[ENG_CVM_CVM_1969608-8_C.2d_dxf.zip](#)

English

Customer View Model

[ENG_CVM_CVM_1969608-8_C.3d_igs.zip](#)

English

Customer View Model

[ENG_CVM_CVM_1969608-8_C.3d_stp.zip](#)

English

By downloading the CAD file I accept and agree to the [Terms and Conditions](#) of use.

Datasheets & Catalog Pages

[1-1773730-3 VAL-U-LOK Connectors with TPA Flyer](#)

English

Product Specifications

[Application Specification](#)

English