

1903977-1 ✓ ACTIVE

Z-PACK | Z-PACK 2mm HM

TE Internal #: 1903977-1

PCB Mount Header, Right Angle, Board-to-Board, 4 Position, 3 mm [.118 in] Centerline, Fully Shrouded, Gold (Au), Z-PACK 2mm HM

[View on TE.com >](#)



Connectors > PCB Connectors > PCB Headers & Receptacles



PCB Connector Type: **PCB Mount Header**

PCB Mount Orientation: **Right Angle**

Connector System: **Board-to-Board**

Number of Positions: **4**

Number of Rows: **1**

Features

Product Type Features

Connector Shape	Rectangular
PCB Connector Type	PCB Mount Header
Connector System	Board-to-Board
Header Type	Fully Shrouded
Sealable	No
Connector & Contact Terminates To	Printed Circuit Board
Connector Product Type	Connector Assembly

Configuration Features

Number of Loaded Positions	4
Number of Power Positions	4
PCB Mount Orientation	Right Angle
Number of Positions	4
Number of Rows	1

Electrical Characteristics

Operating Voltage	250 VAC
-------------------	---------

Body Features

Primary Product Color	Natural
-----------------------	---------

Contact Features

--	--



Contact Underplating Material	Nickel
Contact Underplating Material Thickness	1.27 μm [50 μin]
Contact Mating Area Plating Material Thickness	.76 μm [30 μin]
PCB Contact Termination Area Plating Material Thickness	.5 – 1.25 μm [19.68 – 49.21 μin]
Contact Layout	Inline
Contact Base Material	Copper Alloy
PCB Contact Termination Area Plating Material	Tin
Contact Mating Area Plating Material	Gold (Au)
Contact Type	Blade
Contact Current Rating (Max)	8 A

Termination Features

Termination Post & Tail Length	2.4 mm[.094 in]
Termination Method to PCB	Through Hole - Press-Fit

Mechanical Attachment

PCB Mount Retention	Without
PCB Mount Alignment	Without
Connector Mounting Type	Board Mount
Mating Alignment	Without

Housing Features

Housing Material	Thermoplastic
Centerline (Pitch)	3 mm[.118 in]

Dimensions

Connector Width	8.5 mm[.334 in]
PCB Thickness (Recommended)	1.4 mm[.055 in]
Connector Height	15 mm[.59 in]
Connector Length	29.34 mm[1.15 in]

Usage Conditions

Operating Temperature (Max)	125 $^{\circ}\text{C}$ [257 $^{\circ}\text{F}$]
Operating Temperature Range	-55 – 125 $^{\circ}\text{C}$ [-67 – 257 $^{\circ}\text{F}$]

Operation/Application

Circuit Application	Power
---------------------	-------

Industry Standards



Glow Wire Rating	Standard Part - Not Glow Wire
------------------	-------------------------------

UL Flammability Rating	UL 94V-0
------------------------	----------

Packaging Features

Packaging Quantity	56
--------------------	----

Packaging Method	Tube
------------------	------

Product Compliance

[For compliance documentation, visit the product page on TE.com>](#)

EU RoHS Directive 2011/65/EU	Compliant
------------------------------	-----------

EU ELV Directive 2000/53/EC	Compliant
-----------------------------	-----------

China RoHS 2 Directive MIIT Order No 32, 2016	No Restricted Materials Above Threshold
---	---

EU REACH Regulation (EC) No. 1907/2006	Current ECHA Candidate List: JAN 2025 (247) Candidate List Declared Against: JAN 2025 (247) Does not contain REACH SVHC
--	---

Halogen Content	Not Low Halogen - contains Br or Cl > 900 ppm.
-----------------	--

Solder Process Capability	Not applicable for solder process capability
---------------------------	--

Product Compliance Disclaimer

This information is provided based on reasonable inquiry of our suppliers and represents our current actual knowledge based on the information they provided. This information is subject to change. The part numbers that TE has identified as EU RoHS compliant have a maximum concentration of 0.1% by weight in homogenous materials for lead, hexavalent chromium, mercury, PBB, PBDE, DBP, BBP, DEHP, DIBP, and 0.01% for cadmium, or qualify for an exemption to these limits as defined in the Annexes of Directive 2011/65/EU (RoHS2). Finished electrical and electronic equipment products will be CE marked as required by Directive 2011/65/EU. Components may not be CE marked. Additionally, the part numbers that TE has identified as EU ELV compliant have a maximum concentration of 0.1% by weight in homogenous materials for lead, hexavalent chromium, and mercury, and 0.01% for cadmium, or qualify for an exemption to these limits as defined in the Annexes of Directive 2000/53/EC (ELV). Regarding the REACH Regulation, the information TE provides on SVHC in articles for this part number is based on the latest European Chemicals Agency (ECHA) 'Guidance on requirements for substances in articles' posted at this URL: <https://echa.europa.eu/guidance-documents/guidance-on-reach>

Compatible Parts



TE Part # 1903978-1
POWER MODULE 4POS. REC. ASSY,

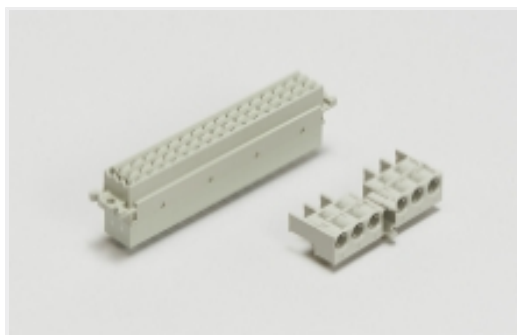


TE Part # 2-1903978-1
POWER MODULE 4POS.REC. ASSY,

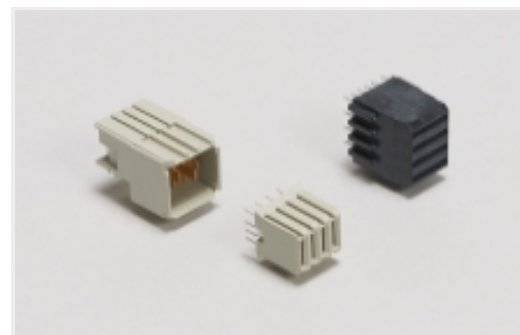


TE Part # 2-1903977-2
SLIM UPM 4POS. R/A HDR ASSEMBLY,
SnPb

Also in the Series | Z-PACK 2mm HM



Backplane Connector Housings(4)



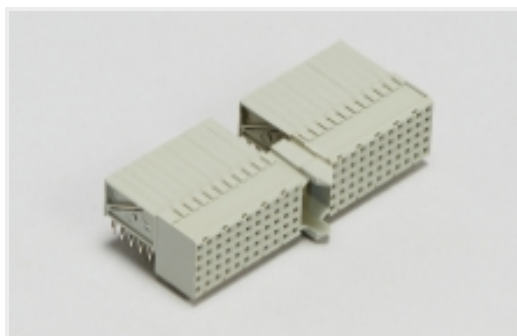
Backplane Power Connectors(1)



Connector Caps & Covers(62)



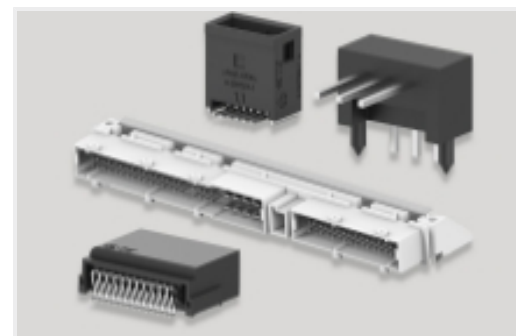
Connector Hardware(91)



Hard Metric Backplane Connectors
(266)



Insertion & Extraction Tools(2)



PCB Headers & Receptacles(46)



Rectangular Power Connectors(46)

Customers Also Bought



TE Part #2-2267465-5
SCL 1.0 RCPT DR VT 050 SMT G1 TBK



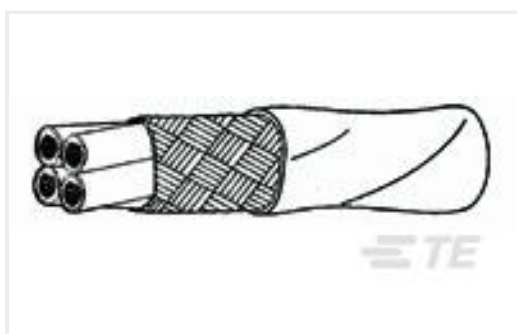
TE Part #CAT-COAX-RECEPT
NANONICS Connectors: Coaxial
Cable, Receptacle Assembly



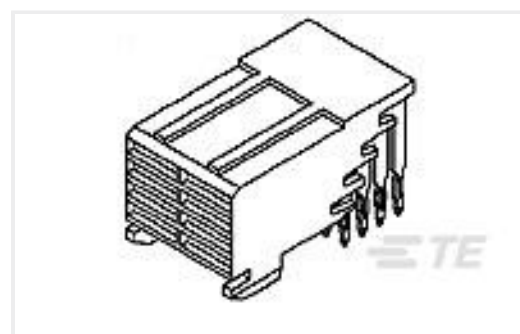
TE Part #6469081-2
HMZD 3PR, RECEPTACLE ASSEMBLY



TE Part #2354935-1
CAGE ASSEMBLY, 1X4, QSFP28, TB



TE Part #617061-000
55FB1541-22-FLT4-0



TE Part #5536613-1
2MM FB,ASY,008,PWR,REC,SL,3.53



TE Part #BSA896N0085202A000
917 PLUG



TE Part #60-0197-011-P00
CONTACT SOCKET 1,5 MM



Documents

Product Drawings

[SLIM UPM 4POS. R/A HDR ASSEMBL](#)

English

CAD Files

[Customer View Model](#)

[ENG_CVM_CVM_1903977-1_E.2d_dxf.zip](#)

English

[3D PDF](#)

3D

[Customer View Model](#)

[ENG_CVM_CVM_1903977-1_E.3d_igs.zip](#)

English

[Customer View Model](#)

[ENG_CVM_CVM_1903977-1_E.3d_stp.zip](#)

English

By downloading the CAD file I accept and agree to the [Terms and Conditions](#) of use.

Datasheets & Catalog Pages

[POWER_CONNECTORS_CATALOG_SEC01_BOARD_TO_BOARD](#)

English

[1-1773718-4_POWER_CONNECTORS_QRG_CN](#)

[1-1773718-5_POWER_CONNECTORS_QRG_TCN](#)

[1-1773718-6_POWER_CONNECTORS_QRG_JA](#)

Japanese

[2_PIECE_POWER_CONNECTORS_qrg_4-1773458-1](#)

English

Product Specifications

[Application Specification](#)

Japanese

Agency Approvals

[Agency Approval Document](#)

English

1903977-1

PCB Mount Header, Right Angle, Board-to-Board, 4 Position, 3 mm [.118 in]
Centerline, Fully Shrouded, Gold (Au), Z-PACK 2mm HM

