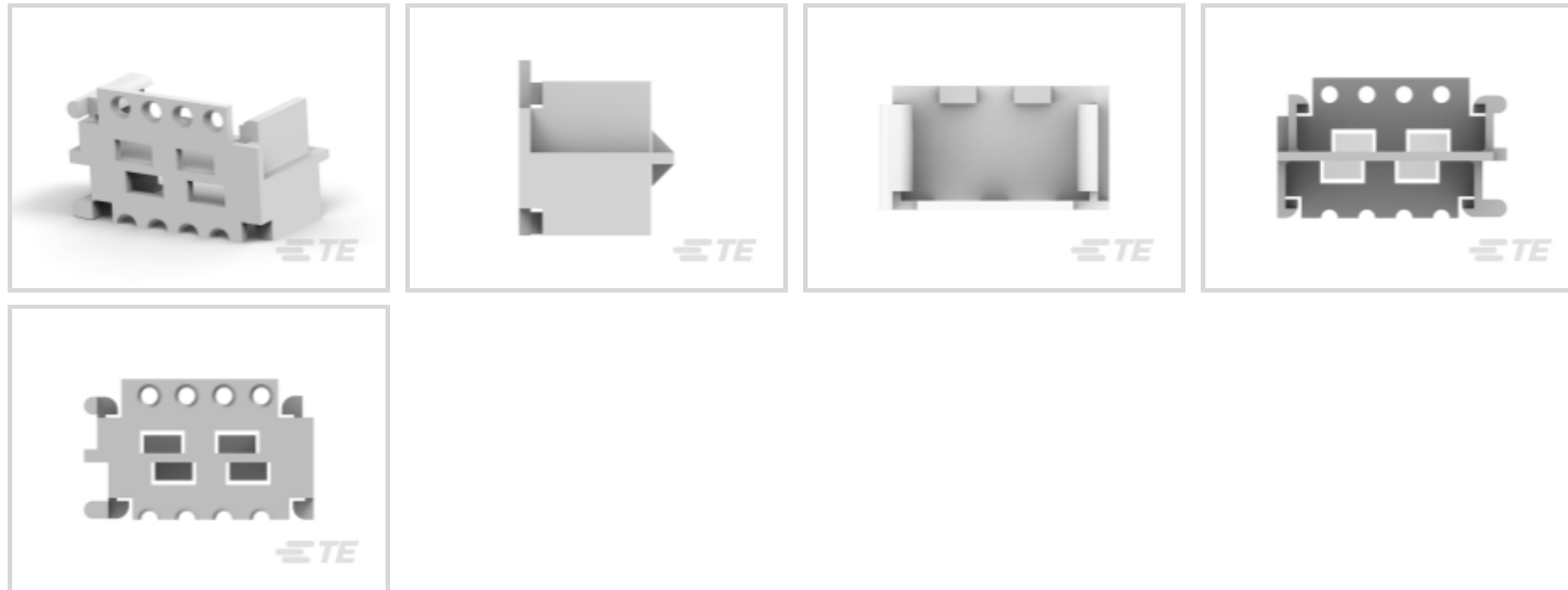




Connectors > Connector Accessories > Connector Hardware



Connector Hardware Accessory Type: **Holder**

Primary Product Color: **Natural**

Number of Positions: **8**

Operating Temperature (Max): **105 °C [221 °F]**

Operating Temperature Range: **-30 – 105 °C [-22 – 221 °F]**

Features

Product Type Features

Connector Hardware Accessory Type	Holder
Hardware Accessory Function	Mounting

Configuration Features

Number of Positions	8
---------------------	---

Body Features

Primary Product Color	Natural
-----------------------	---------

Housing Features

Centerline (Pitch)	2 mm [.079 in]
--------------------	----------------

Dimensions

Product Width	7.55 mm [.297 in]
Product Length	12.29 mm [.484 in]
Product Height	6.65 mm [.261 in]
Wire Size	28 – 24 AWG

Usage Conditions

Operating Temperature (Max)	105 °C [221 °F]
-----------------------------	-----------------



Operating Temperature Range -30 – 105 °C[-22 – 221 °F]

Packaging Features

Packaging Method	Bag
Packaging Quantity	1000

Product Compliance

[For compliance documentation, visit the product page on TE.com>](#)

EU RoHS Directive 2011/65/EU	Compliant
EU ELV Directive 2000/53/EC	Compliant
China RoHS 2 Directive MIIT Order No 32, 2016	No Restricted Materials Above Threshold
EU REACH Regulation (EC) No. 1907/2006	Current ECHA Candidate List: JAN 2025 (247) Candidate List Declared Against: JAN 2025 (247) Does not contain REACH SVHC
Halogen Content	Low Halogen - Br, Cl, F, I < 900 ppm per homogenous material. Also BFR/CFR/PVC Free
Solder Process Capability	Not applicable for solder process capability

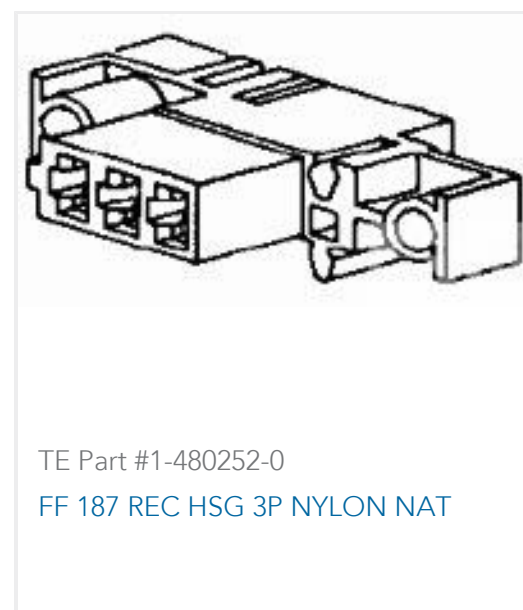
Product Compliance Disclaimer

This information is provided based on reasonable inquiry of our suppliers and represents our current actual knowledge based on the information they provided. This information is subject to change. The part numbers that TE has identified as EU RoHS compliant have a maximum concentration of 0.1% by weight in homogenous materials for lead, hexavalent chromium, mercury, PBB, PBDE, DBP, BBP, DEHP, DIBP, and 0.01% for cadmium, or qualify for an exemption to these limits as defined in the Annexes of Directive 2011/65/EU (RoHS2). Finished electrical and electronic equipment products will be CE marked as required by Directive 2011/65/EU. Components may not be CE marked. Additionally, the part numbers that TE has identified as EU ELV compliant have a maximum concentration of 0.1% by weight in homogenous materials for lead, hexavalent chromium, and mercury, and 0.01% for cadmium, or qualify for an exemption to these limits as defined in the Annexes of Directive 2000/53/EC (ELV). Regarding the REACH Regulation, the information TE provides on SVHC in articles for this part number is based on the latest European Chemicals Agency (ECHA) 'Guidance on requirements for substances in articles' posted at this URL: <https://echa.europa.eu/guidance-documents/guidance-on-reach>

Compatible Parts



Customers Also Bought



Documents

Product Drawings

[CT DBL ROW 8P HOLDER 8P NATURA](#)

English

CAD Files

[3D PDF](#)

3D

Customer View Model

[ENG_CVM_CVM_175133-8_E.2d_dxf.zip](#)

English

Customer View Model

[ENG_CVM_CVM_175133-8_E.3d_igs.zip](#)

English

Customer View Model

[ENG_CVM_CVM_175133-8_E.3d_stp.zip](#)

English

By downloading the CAD file I accept and agree to the [Terms and Conditions](#) of use.



Product Specifications

Application Specification

English

Agency Approvals

CSA Certificate

English

CSA Certificate

English