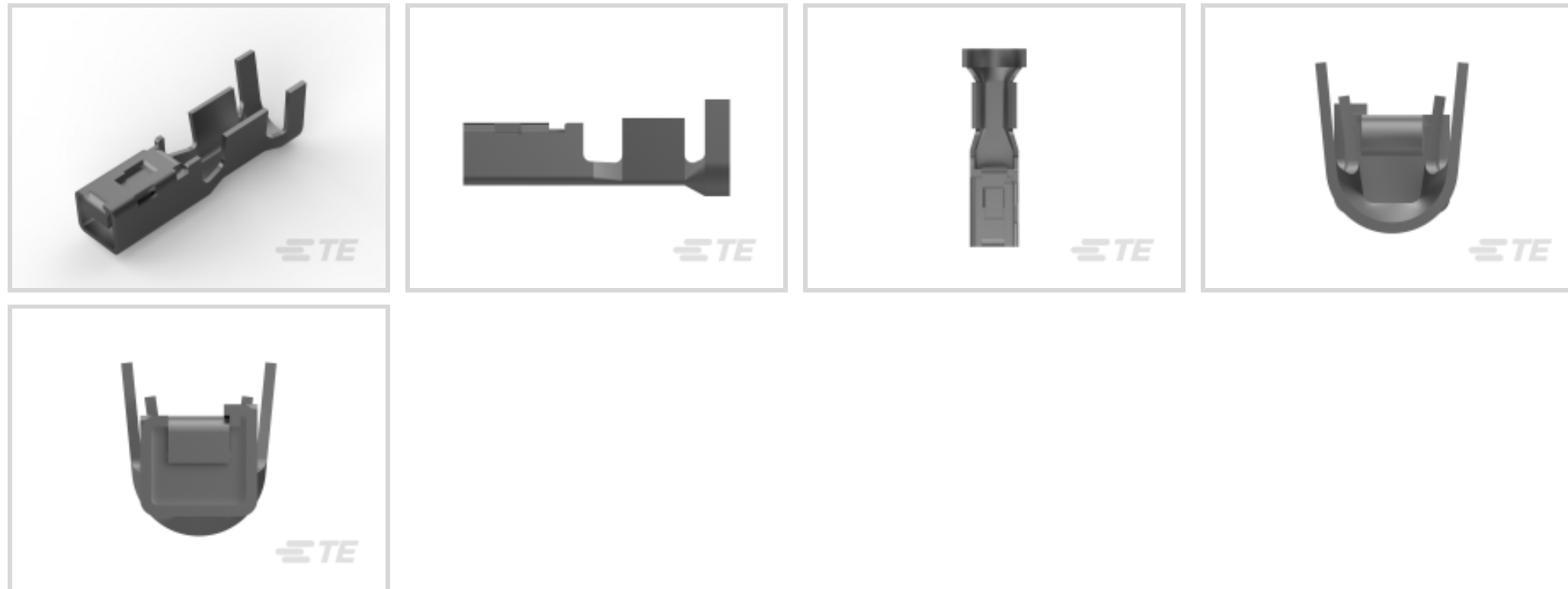




Connectors > Contacts > Connector Contacts > GRACE INERTIA Receptacle



Contact Type: **Receptacle**

Contact Mating Area Plating Material: **Tin (Sn)**

Wire Contact Termination Area Plating Material: **Pre-Tin**

Operating Voltage: **600 VDC**

[All GRACE INERTIA Receptacle \(5\)](#)

## Features

### Product Type Features

Discrete Wire Type	Stranded
--------------------	----------

### Electrical Characteristics

Operating Voltage	600 VDC
-------------------	---------

### Contact Features

Contact Orientation	Straight
Wire Contact Termination Area Plating Material Finish	Bright
Mating Tab Width	3.1 mm[.122 in]
Mating Tab Thickness	.8 mm[.3 in]
Wire Contact Termination Area Plating Thickness	.8 μm[31.49 μin]
Contact Type	Receptacle
Contact Mating Area Plating Material	Tin (Sn)
Wire Contact Termination Area Plating Material	Pre-Tin
Contact Retention Within Housing	With



Contact Base Material	Copper Alloy
-----------------------	--------------

Contact Current Rating (Max)	20 A
------------------------------	------

### Termination Features

Termination Method to Wire & Cable	Crimp
------------------------------------	-------

Product Terminates To	Wire & Cable
-----------------------	--------------

### Mechanical Attachment

Wire Insulation Support	Without
-------------------------	---------

Contact Retention Type Within Housing	Locking Lance
---------------------------------------	---------------

### Dimensions

Compatible Insulation Diameter Range	2.9 – 4.1 mm [.114 – .161 in]
--------------------------------------	-------------------------------

Wire Size	2.08 – 3.31 mm <sup>2</sup>
-----------	-----------------------------

### Usage Conditions

Operating Temperature Range	-40 – 105 °C [-40 – 221 °F]
-----------------------------	-----------------------------

### Operation/Application

Circuit Application	Power
---------------------	-------

### Packaging Features

Packaging Quantity	2000
--------------------	------

Packaging Method	Reel
------------------	------

### Product Compliance

[For compliance documentation, visit the product page on TE.com>](#)

EU RoHS Directive 2011/65/EU	Compliant
------------------------------	-----------

EU ELV Directive 2000/53/EC	Compliant
-----------------------------	-----------

China RoHS 2 Directive MIIT Order No 32, 2016	No Restricted Materials Above Threshold
---	---

EU REACH Regulation (EC) No. 1907/2006	Current ECHA Candidate List: JAN 2025 (247) Candidate List Declared Against: JAN 2025 (247) Does not contain REACH SVHC
--	---

Halogen Content	Low Halogen - Br, Cl, F, I < 900 ppm per homogenous material. Also BFR/CFR/PVC Free
-----------------	---

Solder Process Capability	Not applicable for solder process capability
---------------------------	--

This information is provided based on reasonable inquiry of our suppliers and represents our current actual knowledge based on the information they provided. This information is subject to change. The part numbers that TE has identified as EU RoHS compliant have a maximum concentration of 0.1% by weight in homogenous materials for lead, hexavalent chromium, mercury, PBB, PBDE, DBP, BBP, DEHP, DIBP, and 0.01% for cadmium, or qualify for an exemption to these limits as defined in the Annexes of Directive 2011/65/EU (RoHS2). Finished electrical and electronic equipment products will be CE marked as required by Directive 2011/65/EU. Components may not be CE marked. Additionally, the part numbers that TE has identified as EU ELV compliant have a maximum concentration of 0.1% by weight in homogenous materials for lead, hexavalent chromium, and mercury, and 0.01% for cadmium, or qualify for an exemption to these limits as defined in the Annexes of Directive 2000/53/EC (ELV). Regarding the REACH Regulation, the information TE provides on SVHC in articles for this part number is based on the latest European Chemicals Agency (ECHA) 'Guidance on requirements for substances in articles' posted at this URL: <https://echa.europa.eu/guidance-documents/guidance-on-reach>

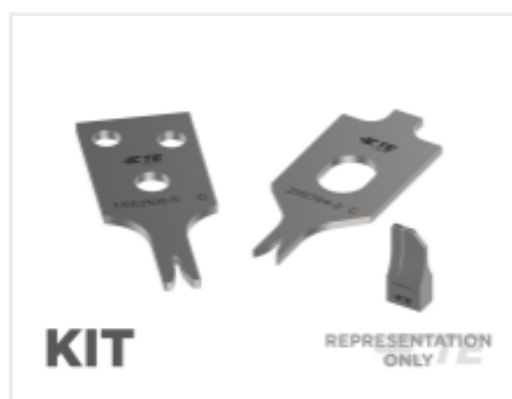
## Compatible Parts



TE Part # 1747995-2  
GHC EYELET 6.2 3POS PLUG  
HOUSING RED



TE Part # 4-1871867-1  
GRACE INERTIA 6.2mm PITCH PLUG  
3POS



TE Part # 7-2836047-7  
OCEAN\_2.0\_SPARE\_PART\_KIT-  
120F190F



TE Part # 1747995-4  
GHC EYELET 6.2 3POS PLUG  
HOUSING YELLOW



TE Part # 1729674-1  
SAHT GIC 6.2MM PITCH 14-12 ASSY



TE Part # CAT-G7534-P729  
STD Temp GRACE INERTIA Plug



TE Part # 2836047-1  
OCEAN\_2.0\_Applicator-S-120F190F-  
RSM



TE Part # 1747995-1  
GHC EYELET 6.2 3POS PLUG  
HOUSING NATURAL



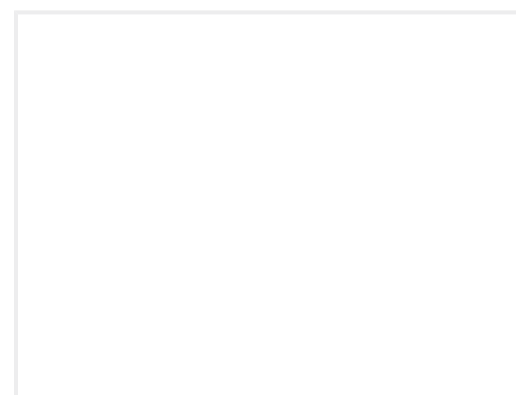
TE Part # 1746978-1  
GRACE INERTIA 6.2mm PITCH CAP  
3POS



TE Part # 2305570-1  
Strip Terminal Cutter-Side Feed-No  
Crimp



TE Part # 2836047-2  
OCEAN\_2.0\_Applicator-S-120F190F-  
RSA



TE Part # 4-1903414-2  
GHC 9.0 3POS PLUG HSG BLACK  
RSA



TE Part # CAT-G7534-P729A  
Glow Wire GRACE INERTIA Plug



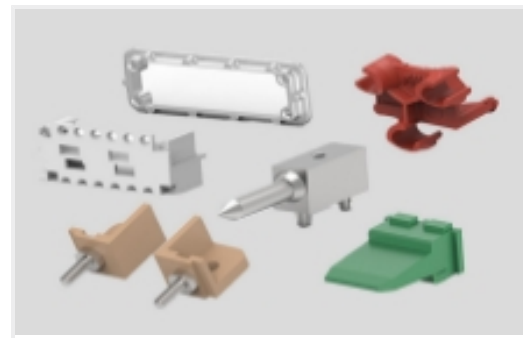
TE Part # 1747995-3  
GHC EYELET 6.2 3POS PLUG  
HOUSING BLUE



## Also in the Series | GRACE INERTIA 6.2



Connector Contacts(4)



Connector Hardware(1)



Power Contacts(4)



Rectangular Connector Housings(13)



Rectangular Power Connectors(13)



Standard Rectangular Connectors(13)

## Customers Also Bought



TE Part #1747995-1  
GHC EYELET 6.2 3POS PLUG HOUSING NATURAL



TE Part #1746978-1  
GRACE INERTIA 6.2mm PITCH CAP 3POS



TE Part #917694-1  
2.5 SIGNAL D/LOCK PLUG HSG 10P



TE Part #5-170063-3  
CLUSTER BLOCK REC W/BACK UP



TE Part #63610-2  
SPRING SPADE TERMINAL 14-10 AWG TPBR



TE Part #917708-1  
2.5 SIGNAL DBL LOCK D.L.P. 12P



TE Part #2108743-1  
POWER 2P DBL L/PRO NAT



TE Part #1747995-3  
GHC EYELET 6.2 3POS PLUG HOUSING BLUE



TE Part #1-794608-0  
PIN CONT 20-24 TIN PLATE STRIP



TE Part #2232905-1  
EP 2.5 LIF RCPT CONTACT, 26-22 AWG



## Documents

### Product Drawings

#### GRACE INERTIA CONNECTOR 6.2MM PITCH REC

English

---

### CAD Files

#### Customer View Model

[ENG\\_CVM\\_CVM\\_1746972-1\\_C.2d\\_dxf.zip](#)

English

#### 3D PDF

3D

#### Customer View Model

[ENG\\_CVM\\_CVM\\_1746972-1\\_C.3d\\_igs.zip](#)

English

#### Customer View Model

[ENG\\_CVM\\_CVM\\_1746972-1\\_C.3d\\_stp.zip](#)

English

By downloading the CAD file I accept and agree to the [Terms and Conditions](#) of use.

---

### Datasheets & Catalog Pages

#### 1-1773883-5 GRACE INERTIA connector quick reference guide

English

---

### Product Specifications

#### Application Specification

English

---

### Instruction Sheets

#### Extraction Tool For Grace Inertia Connector

Japanese

#### Instruction Sheet (non U.S.)

Japanese