



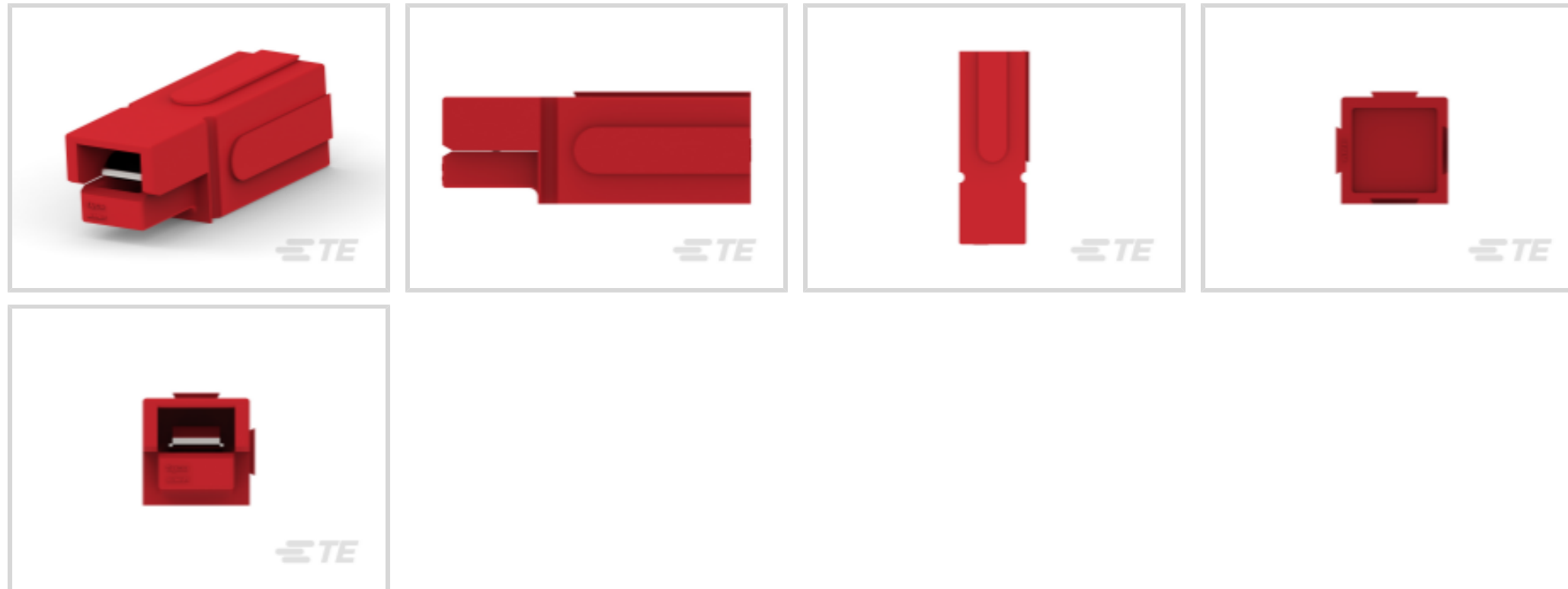
AMP Power Series - 180

TE Internal #: 1604396-4

Connector Assembly, Plug / Receptacle, Crimp, Wire-to-Wire, Silver (Ag), AMP Power Series - 180, Rectangular Wire & Cable Connectors & Housings

[View on TE.com >](#)

Connectors > Rectangular Connectors > Standard Rectangular Connectors



Connector Product Type: **Connector Assembly**

Connector & Housing Type: **Plug, Receptacle**

Mating Alignment: **Without**

Mating Retention: **With**

Mating Retention Type: **Latch**

**Features**

**Product Type Features**

Compatible With Discrete Wire Type	Stranded
Assembly Requirement	Unassembled Kit
Connector Product Type	Connector Assembly
Connector & Housing Type	Plug, Receptacle
Connector System	Wire-to-Wire
Sealable	No
Connector & Contact Terminates To	Wire & Cable

**Configuration Features**

Number of Signal Positions	0
Number of Power Positions	0
Number of Positions	2
Number of Rows	1

**Electrical Characteristics**

Operating Voltage	600 VAC
-------------------	---------



### Body Features

Primary Product Color	Red
-----------------------	-----

### Contact Features

Wire Contact Termination Area Plating Material	Silver
Contact Mating Area Plating Material Thickness	1.27 $\mu\text{m}$ [50 $\mu\text{in}$ ]
Contact Type	Blade
Contact Mating Area Plating Material	Silver (Ag)
Contact Retention Within Housing	Without
Contact Current Rating (Max)	180 A

### Termination Features

Termination Method to Wire & Cable	Crimp
------------------------------------	-------

### Mechanical Attachment

Panel Mount Feature	Without
Mating Alignment	Without
Mating Retention	With
Mating Retention Type	Latch
Connector Mounting Type	Cable Mount (Free-Hanging)

### Housing Features

Housing Material	Polycarbonate
------------------	---------------

### Dimensions

Connector Width	28.56 mm[1.12 in]
Wire Size	2 AWG
Connector Height	28.25 mm[1.112 in]
Connector Length	82.6 mm[3.25 in]

### Usage Conditions

Operating Temperature Range	-20 – 105 $^{\circ}\text{C}$ [-4 – 221 $^{\circ}\text{F}$ ]
-----------------------------	---

### Operation/Application

Circuit Application	Power
---------------------	-------

### Industry Standards

Compatible With Agency/Standards Products	UL
UL Rating	Recognized



Compatible With Approved Standards Products	UL E28476
Glow Wire Rating	Standard Part - Not Glow Wire
UL Flammability Rating	UL 94V-0

**Packaging Features**

Packaging Method	Box
------------------	-----

**Product Compliance**

[For compliance documentation, visit the product page on TE.com>](#)

EU RoHS Directive 2011/65/EU	Compliant
EU ELV Directive 2000/53/EC	Compliant
China RoHS 2 Directive MIIT Order No 32, 2016	No Restricted Materials Above Threshold
EU REACH Regulation (EC) No. 1907/2006	Current ECHA Candidate List: JAN 2025 (247) Candidate List Declared Against: JAN 2022 (223) Does not contain REACH SVHC
Halogen Content	BFR/CFR/PVC Free, but Br/Cl >900 ppm in other sources.
Solder Process Capability	Not applicable for solder process capability

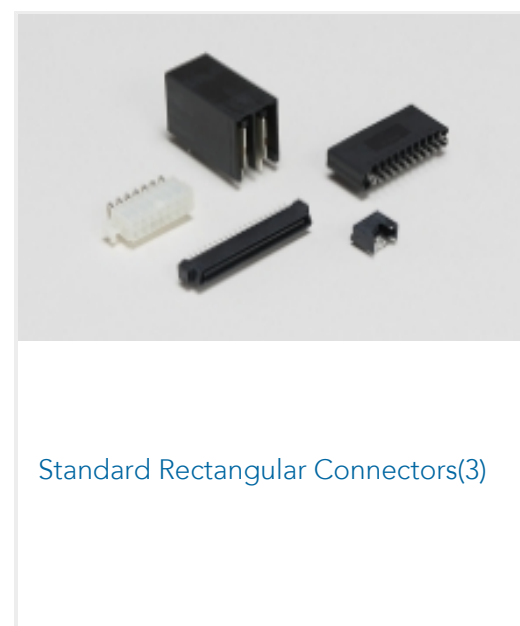
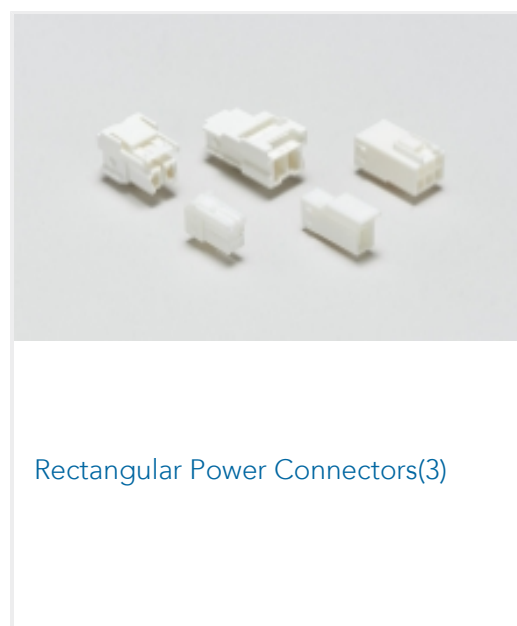
**Product Compliance Disclaimer**

This information is provided based on reasonable inquiry of our suppliers and represents our current actual knowledge based on the information they provided. This information is subject to change. The part numbers that TE has identified as EU RoHS compliant have a maximum concentration of 0.1% by weight in homogenous materials for lead, hexavalent chromium, mercury, PBB, PBDE, DBP, BBP, DEHP, DIBP, and 0.01% for cadmium, or qualify for an exemption to these limits as defined in the Annexes of Directive 2011/65/EU (RoHS2). Finished electrical and electronic equipment products will be CE marked as required by Directive 2011/65/EU. Components may not be CE marked. Additionally, the part numbers that TE has identified as EU ELV compliant have a maximum concentration of 0.1% by weight in homogenous materials for lead, hexavalent chromium, and mercury, and 0.01% for cadmium, or qualify for an exemption to these limits as defined in the Annexes of Directive 2000/53/EC (ELV). Regarding the REACH Regulation, the information TE provides on SVHC in articles for this part number is based on the latest European Chemicals Agency (ECHA) 'Guidance on requirements for substances in articles' posted at this URL: <https://echa.europa.eu/guidance-documents/guidance-on-reach>

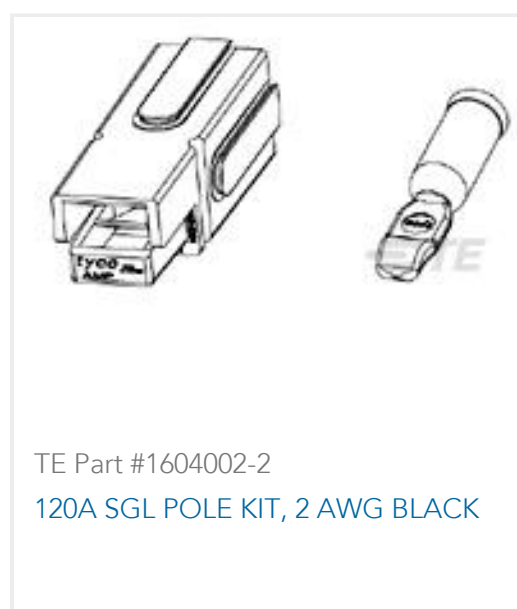
**Compatible Parts**



## Also in the Series | AMP Power Series - 180



## Customers Also Bought



## Documents

### Product Drawings

[KIT,180A,2 AWG,RED](#)

English

### CAD Files

Customer View Model

[ENG\\_CVM\\_1604396-4\\_O.3d\\_igs.zip](#)

English

Customer View Model

[ENG\\_CVM\\_1604396-4\\_O.3d\\_stp.zip](#)

English

Customer View Model

[ENG\\_CVM\\_1604396-4\\_O.2d\\_dxf.zip](#)

English

[3D PDF](#)



English

By downloading the CAD file I accept and agree to the [Terms and Conditions](#) of use.

### Datasheets & Catalog Pages

[POWER\\_CONNECTORS\\_CATALOG\\_SEC02\\_CABLE\\_MOUNTED](#)

English

[2\\_PIECE\\_POWER\\_CONNECTORS\\_qrg\\_4-1773458-1](#)

English

### Product Specifications

[Application Specification](#)

English

[Application Specification](#)

English