

1604042-6 ✓ ACTIVE



AMP Power Series - 175

TE Internal #: 1604042-6

Connector Assembly, Plug / Receptacle, Crimp, Wire-to-Wire, Silver (Ag), AMP Power Series - 175, Rectangular Wire & Cable Connectors & Housings

[View on TE.com >](#)

Connectors > Rectangular Connectors > Standard Rectangular Connectors



Connector Product Type: **Connector Assembly**

Connector & Housing Type: **Plug, Receptacle**

Mating Alignment: **With**

Mating Alignment Type: **Keyed**

Mating Retention: **With**

Features

Product Type Features

| | |
|------------------------------------|--------------------|
| Compatible With Discrete Wire Type | Stranded |
| Assembly Requirement | Unassembled Kit |
| Connector Product Type | Connector Assembly |
| Connector & Housing Type | Plug, Receptacle |
| Connector System | Wire-to-Wire |
| Sealable | No |
| Connector & Contact Terminates To | Wire & Cable |

Configuration Features

| | |
|----------------------------|---|
| Number of Signal Positions | 0 |
| Number of Power Positions | 0 |
| Number of Positions | 2 |
| Number of Rows | 1 |

Electrical Characteristics

| | |
|-------------------|---------|
| Operating Voltage | 600 VAC |
|-------------------|---------|



Body Features

| | |
|-----------------------|-------|
| Primary Product Color | Black |
|-----------------------|-------|

Contact Features

| | |
|--|---------------------------|
| Wire Contact Termination Area Plating Material | Silver |
| Contact Mating Area Plating Material Thickness | 1.27 μ m[50 μ in] |
| Contact Type | Blade |
| Contact Mating Area Plating Material | Silver (Ag) |
| Contact Retention Within Housing | Without |
| Contact Current Rating (Max) | 175 A |

Termination Features

| | |
|------------------------------------|-------|
| Termination Method to Wire & Cable | Crimp |
|------------------------------------|-------|

Mechanical Attachment

| | |
|-------------------------|----------------------------|
| Panel Mount Feature | Without |
| Mating Alignment | With |
| Mating Alignment Type | Keyed |
| Mating Retention | With |
| Mating Retention Type | Latch |
| Connector Mounting Type | Cable Mount (Free-Hanging) |

Housing Features

| | |
|--------------------|------------------|
| Housing Material | Polycarbonate |
| Centerline (Pitch) | 19.06 mm[.75 in] |

Dimensions

| | |
|------------------|------------------|
| Connector Width | 53.5 mm[2.11 in] |
| Wire Size | 1/0 AWG |
| Connector Height | 25.4 mm[1 in] |
| Connector Length | 78.2 mm[3.08 in] |

Usage Conditions

| | |
|-----------------------------|---|
| Operating Temperature Range | -20 – 105 $^{\circ}$ C[-4 – 221 $^{\circ}$ F] |
|-----------------------------|---|

Operation/Application

| | |
|---------------------|-------|
| Circuit Application | Power |
|---------------------|-------|

Industry Standards

| | |
|--|--|
| | |
|--|--|



| | |
|---|-------------------------------|
| Compatible With Agency/Standards Products | UL |
| UL Rating | Recognized |
| Compatible With Approved Standards Products | UL E28476 |
| Glow Wire Rating | Standard Part - Not Glow Wire |
| UL Flammability Rating | UL 94V-0 |

Packaging Features

| | |
|------------------|-----|
| Packaging Method | Box |
|------------------|-----|

Product Compliance

[For compliance documentation, visit the product page on TE.com>](#)

| | |
|---|---|
| EU RoHS Directive 2011/65/EU | Compliant |
| EU ELV Directive 2000/53/EC | Compliant |
| China RoHS 2 Directive MIIT Order No 32, 2016 | No Restricted Materials Above Threshold |
| EU REACH Regulation (EC) No. 1907/2006 | Current ECHA Candidate List: JAN 2025 (247) Candidate List Declared Against: JAN 2022 (223) Does not contain REACH SVHC |
| Halogen Content | Low Halogen - Br, Cl, F, I < 900 ppm per homogenous material. Also BFR/CFR/PVC Free |
| Solder Process Capability | Not applicable for solder process capability |

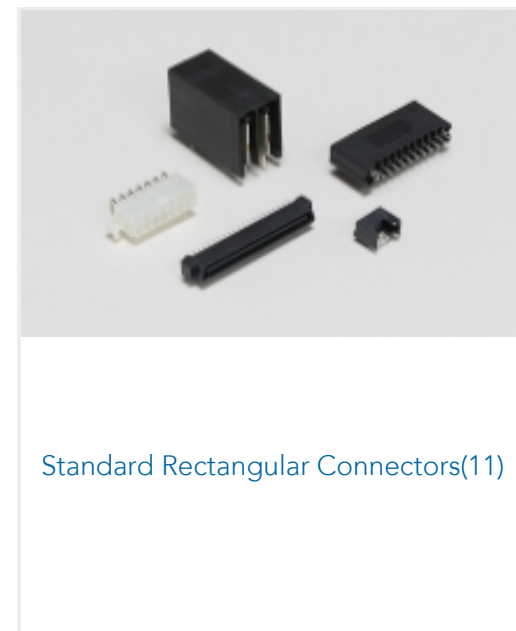
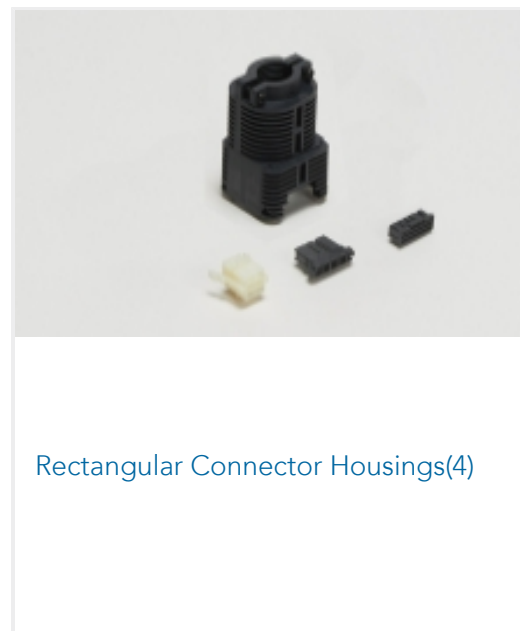
Product Compliance Disclaimer

This information is provided based on reasonable inquiry of our suppliers and represents our current actual knowledge based on the information they provided. This information is subject to change. The part numbers that TE has identified as EU RoHS compliant have a maximum concentration of 0.1% by weight in homogenous materials for lead, hexavalent chromium, mercury, PBB, PBDE, DBP, BBP, DEHP, DIBP, and 0.01% for cadmium, or qualify for an exemption to these limits as defined in the Annexes of Directive 2011/65/EU (RoHS2). Finished electrical and electronic equipment products will be CE marked as required by Directive 2011/65/EU. Components may not be CE marked. Additionally, the part numbers that TE has identified as EU ELV compliant have a maximum concentration of 0.1% by weight in homogenous materials for lead, hexavalent chromium, and mercury, and 0.01% for cadmium, or qualify for an exemption to these limits as defined in the Annexes of Directive 2000/53/EC (ELV). Regarding the REACH Regulation, the information TE provides on SVHC in articles for this part number is based on the latest European Chemicals Agency (ECHA) 'Guidance on requirements for substances in articles' posted at this URL: <https://echa.europa.eu/guidance-documents/guidance-on-reach>

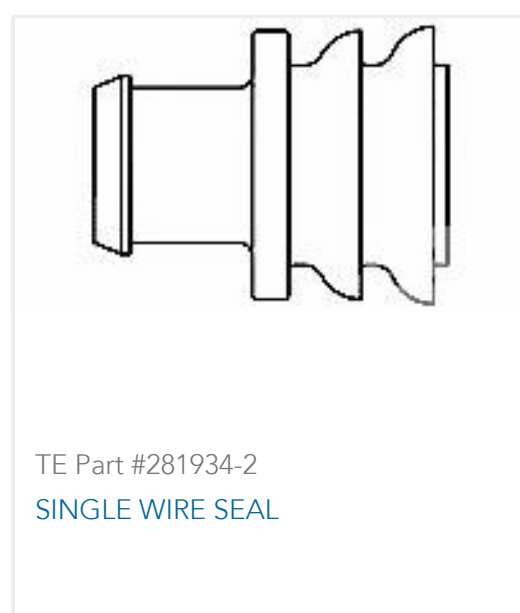
Compatible Parts



Also in the Series | **AMP Power Series - 175**



Customers Also Bought



Documents

Product Drawings
[KIT, 175A, 1/0 AWG, BLACK](#)

English

CAD Files
[Customer View Model](#)
[ENG_CVM_1604042-6_O.3d_igs.zip](#)



English

Customer View Model

[ENG_CVM_1604042-6_O.3d_stp.zip](#)

English

Customer View Model

[ENG_CVM_1604042-6_O.2d_dxf.zip](#)

English

3D PDF

English

By downloading the CAD file I accept and agree to the [Terms and Conditions](#) of use.

Datasheets & Catalog Pages

[POWER_CONNECTORS_CATALOG_SEC02_CABLE_MOUNTED](#)

English

[2_PIECE_POWER_CONNECTORS_qrg_4-1773458-1](#)

English

Product Specifications

[Application Specification](#)

English