

1-747562-0 ✓ ACTIVE

## AMPLIMITE

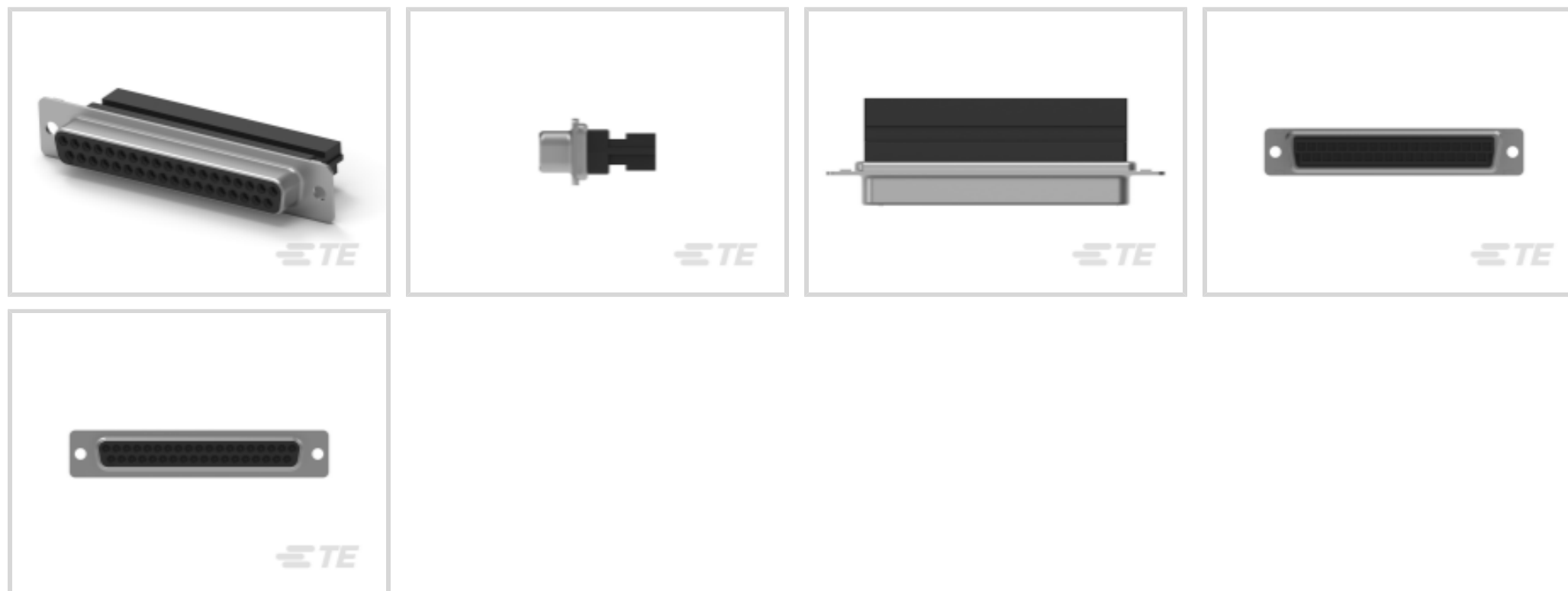
TE Internal #: 1-747562-0

37 Position D-Shaped Connector, Receptacle, Cable-to-Panel,  
Panel Mount, 4 Shell Size

[View on TE.com >](#)



Connectors > D-Shaped Connectors



Number of Positions: **37**

Connector & Housing Type: **Receptacle**

Connector System: **Cable-to-Panel**

Connector Mounting Type: **Panel Mount**

Connector Shell Size: **4**

### Features

#### Product Type Features

Sealable	No
Connector & Housing Type	Receptacle
Connector System	Cable-to-Panel
Connector Shell Size	4
Connector & Contact Terminates To	Wire & Cable

#### Configuration Features

Number of Positions	37
---------------------	----

#### Contact Features

Contact Size	Size 20
Contact Options	Installed

#### Termination Features

Termination Method to Wire & Cable	Insulation Displacement (IDC)
------------------------------------	-------------------------------

#### Mechanical Attachment

Mating Retention	With
------------------	------

Mating Retention Type	Clinch Nut, 4-40 UNC
-----------------------	----------------------

Connector Mounting Type	Panel Mount
-------------------------	-------------

### Housing Features

Centerline (Pitch)	2.74 mm, 2.77 mm, 2.85 mm [.108 in][.109 in] [.112 in]
--------------------	---

### Usage Conditions

Operating Temperature Range	-55 – 105 °C[-67 – 221 °F]
-----------------------------	----------------------------

### Operation/Application

Shielded	Yes
----------	-----

## Product Compliance

[For compliance documentation, visit the product page on TE.com>](#)

EU RoHS Directive 2011/65/EU	Compliant
------------------------------	-----------

EU ELV Directive 2000/53/EC	Compliant
-----------------------------	-----------

China RoHS 2 Directive MIIT Order No 32, 2016	No Restricted Materials Above Threshold
---	---

EU REACH Regulation (EC) No. 1907/2006	Current ECHA Candidate List: JAN 2025 (247) Candidate List Declared Against: JAN 2025 (247) Does not contain REACH SVHC
--	---

Halogen Content	Not Low Halogen - contains Br or Cl > 900 ppm.
-----------------	--

Solder Process Capability	Not reviewed for solder process capability
---------------------------	--

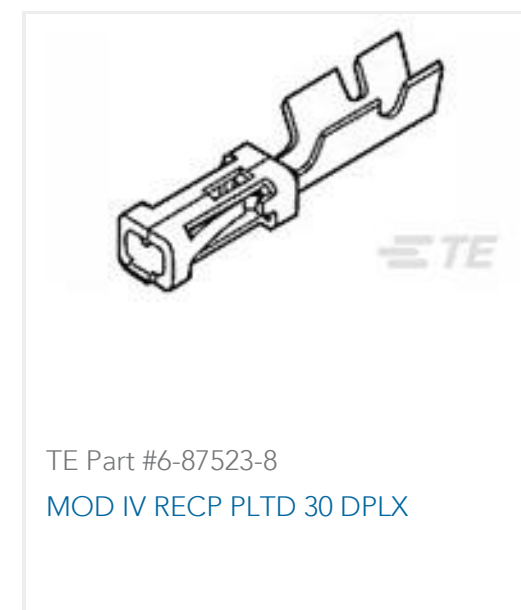
#### Product Compliance Disclaimer

This information is provided based on reasonable inquiry of our suppliers and represents our current actual knowledge based on the information they provided. This information is subject to change. The part numbers that TE has identified as EU RoHS compliant have a maximum concentration of 0.1% by weight in homogenous materials for lead, hexavalent chromium, mercury, PBB, PBDE, DBP, BBP, DEHP, DIBP, and 0.01% for cadmium, or qualify for an exemption to these limits as defined in the Annexes of Directive 2011/65/EU (RoHS2). Finished electrical and electronic equipment products will be CE marked as required by Directive 2011/65/EU. Components may not be CE marked. Additionally, the part numbers that TE has identified as EU ELV compliant have a maximum concentration of 0.1% by weight in homogenous materials for lead, hexavalent chromium, and mercury, and 0.01% for cadmium, or qualify for an exemption to these limits as defined in the Annexes of Directive 2000/53/EC (ELV). Regarding the REACH Regulation, the information TE provides on SVHC in articles for this part number is based on the latest European Chemicals Agency (ECHA) 'Guidance on requirements for substances in articles' posted at this URL: <https://echa.europa.eu/guidance-documents/guidance-on-reach>

## Compatible Parts



## Customers Also Bought



## Documents

### Product Drawings

OVRMLD, RCPT ASSY, 37P, HDE

English

### CAD Files

3D PDF

3D

Customer View Model

ENG\_CVM\_CVM\_1-747562-0\_H.2d\_dxf.zip



English

Customer View Model

[ENG\\_CVM\\_CVM\\_1-747562-0\\_H.3d\\_igs.zip](#)

English

Customer View Model

[ENG\\_CVM\\_CVM\\_1-747562-0\\_H.3d\\_stp.zip](#)

English

By downloading the CAD file I accept and agree to the [Terms and Conditions](#) of use.

**Product Specifications**

[Application Specification](#)

English