

1-640415-0 ✓ ACTIVE

MATE-N-LOK | Universal MATE-N-LOK

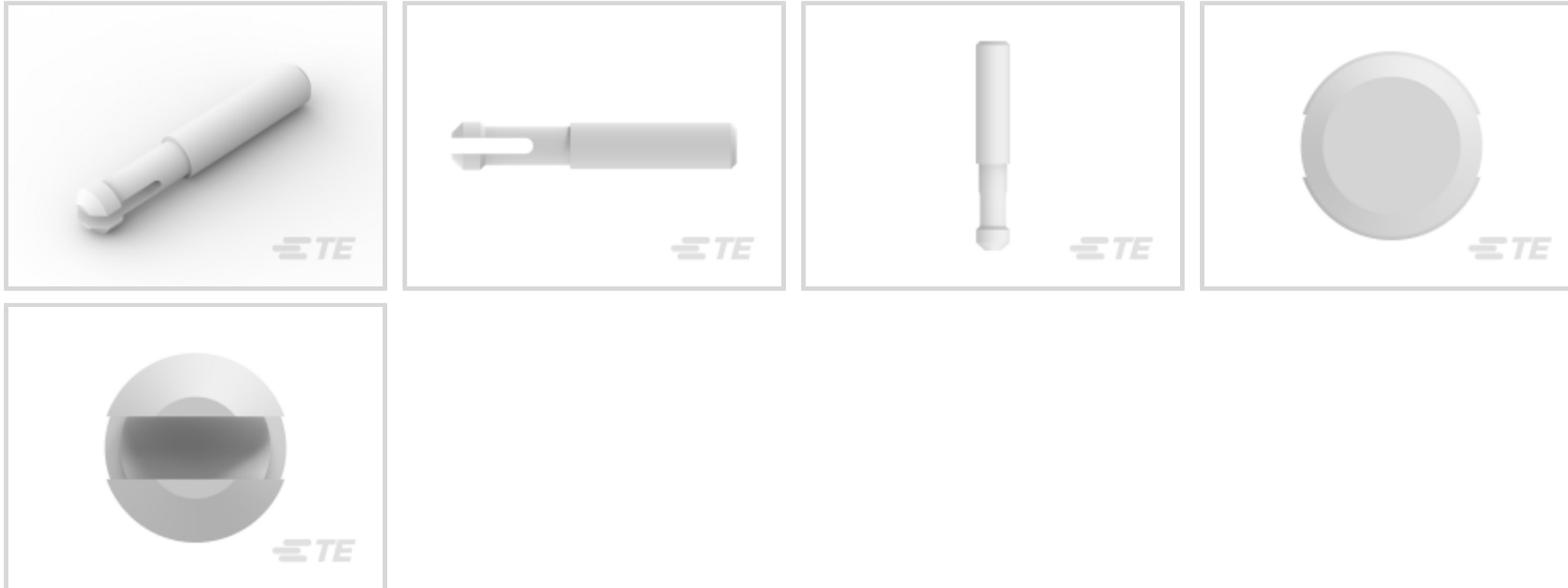
TE Internal #: 1-640415-0

Keying Plug, White, Universal MATE-N-LOK

[View on TE.com >](#)



Connectors > Connector Accessories > Connector Hardware



Connector Hardware Accessory Type: **Keying Plug**

Primary Product Color: **White**

Operating Temperature (Max): **105 °C [221 °F]**

Operating Temperature Range: **-55 – 105 °C [-67 – 221 °F]**

Hardware Accessory Function: **Coding & Keying**

Features

Product Type Features

Connector Hardware Accessory Type	Keying Plug
Hardware Accessory Function	Coding & Keying

Body Features

Primary Product Color	White
-----------------------	-------

Usage Conditions

Operating Temperature (Max)	105 °C[221 °F]
Operating Temperature Range	-55 – 105 °C[-67 – 221 °F]

Industry Standards

UL Flammability Rating	UL 94V-0
------------------------	----------

Packaging Features

Packaging Method	Package
Packaging Quantity	10000

Product Compliance

[For compliance documentation, visit the product page on TE.com>](#)

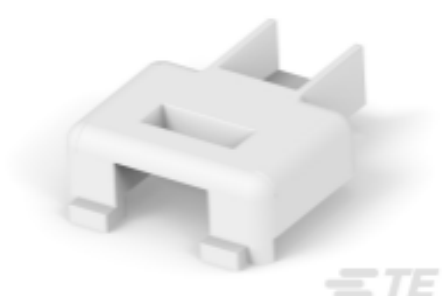

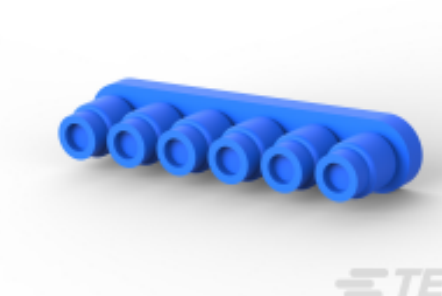


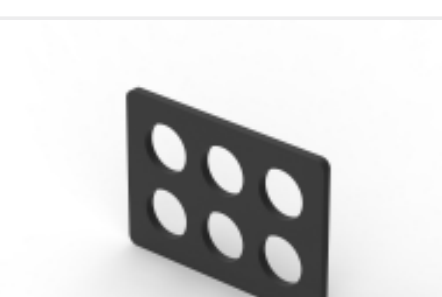
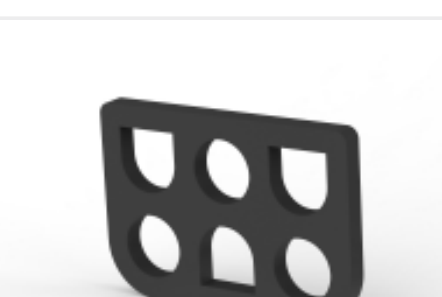


EU RoHS Directive 2011/65/EU	Compliant
EU ELV Directive 2000/53/EC	Compliant
China RoHS 2 Directive MIIT Order No 32, 2016	No Restricted Materials Above Threshold
EU REACH Regulation (EC) No. 1907/2006	Current ECHA Candidate List: JAN 2025 (247) Candidate List Declared Against: JAN 2025 (247) Does not contain REACH SVHC
Halogen Content	Low Halogen - Br, Cl, F, I < 900 ppm per homogenous material. Also BFR/CFR/PVC Free
Solder Process Capability	Not applicable for solder process capability

Product Compliance Disclaimer

This information is provided based on reasonable inquiry of our suppliers and represents our current actual knowledge based on the information they provided. This information is subject to change. The part numbers that TE has identified as EU RoHS compliant have a maximum concentration of 0.1% by weight in homogenous materials for lead, hexavalent chromium, mercury, PBB, PBDE, DBP, BBP, DEHP, DIBP, and 0.01% for cadmium, or qualify for an exemption to these limits as defined in the Annexes of Directive 2011/65/EU (RoHS2). Finished electrical and electronic equipment products will be CE marked as required by Directive 2011/65/EU. Components may not be CE marked. Additionally, the part numbers that TE has identified as EU ELV compliant have a maximum concentration of 0.1% by weight in homogenous materials for lead, hexavalent chromium, and mercury, and 0.01% for cadmium, or qualify for an exemption to these limits as defined in the Annexes of Directive 2000/53/EC (ELV). Regarding the REACH Regulation, the information TE provides on SVHC in articles for this part number is based on the latest European Chemicals Agency (ECHA) 'Guidance on requirements for substances in articles' posted at this URL: <https://echa.europa.eu/guidance-documents/guidance-on-reach>

Compatible Parts

 <p>TE Part # 641778-2 UMNL STR/REL ADAPTER *NO NIBS*</p>	 <p>TE Part # 1-640415-1 UMNL KEYING PLUG V2 NATL</p>	 <p>TE Part # 2029268-1 06P UMNL WIRE SEAL IN-LINE</p>	 <p>TE Part # 2029442-1 06P UMNL-II TPA FOAM SPACER</p>
 <p>TE Part # 1586099-1 06P UMNL WIRE SEAL GRAY 12AWG</p>	 <p>TE Part # 2029383-1 06P UMNL-II FRONT2RR FOAM SPCR</p>	 <p>TE Part # 794993-1 06P UMNL BLACK INTERFACE SEAL</p>	

Also in the Series | Universal MATE-N-LOK



Circular Power Connectors(2)



Connector Contacts(208)



Connector Hardware(12)



Power Contacts(208)



Rectangular Power Connectors(651)

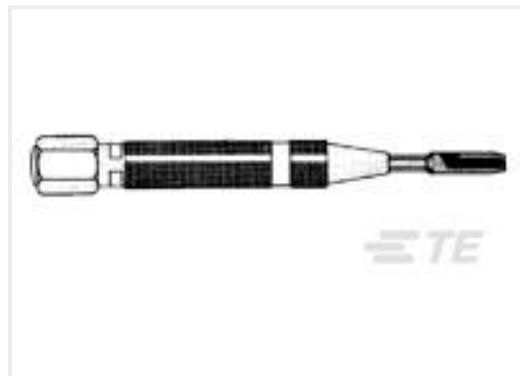


Standard Circular Connectors(1)

Customers Also Bought



TE Part #1-1644055-3
06P UMNL PLUG HSG GWEPT-V0
WINDOW LATCH



TE Part #200893-2
INSERTION TOOL CONT



TE Part #CAT-T3437-ST2999
STD Snap-On Markers



TE Part #641976-1
15P UMNL PIN HDR ASSY POL 94VO



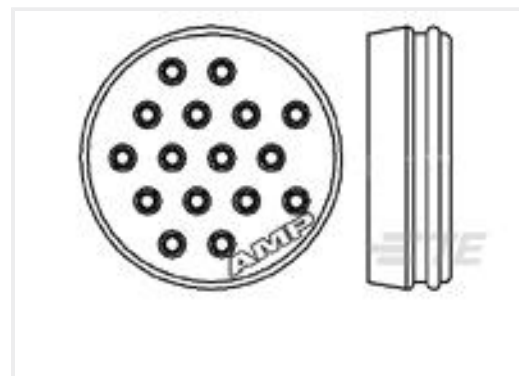
TE Part #5-103171-1
MOD IV RECP PLTD 15 DPLX LF



TE Part #770095-1
09P .093 COMM P&S PLUG



TE Part #2-2400680-5
5P CAP TPA, UMNL



TE Part #213920-1
CPC SEAL KIT,UNASSM,SZ 17-16

Documents

Product Drawings

[UMNL KEYING PLUG V0](#)

English

CAD Files

[Customer View Model](#)

[ENG_CVM_1-640415-0_C.2d_dxf.zip](#)

English



Customer View Model

[ENG_CVM_1-640415-0_C.3d_igs.zip](#)

English

Customer View Model

[ENG_CVM_1-640415-0_C.3d_stp.zip](#)

English

3D PDF

English

3D PDF

3D

Customer View Model

[ENG_CVM_CVM_1-640415-0_M.2d_dxf.zip](#)

English

Customer View Model

[ENG_CVM_CVM_1-640415-0_M.3d_igs.zip](#)

English

Customer View Model

[ENG_CVM_CVM_1-640415-0_M.3d_stp.zip](#)

English

By downloading the CAD file I accept and agree to the [Terms and Conditions](#) of use.

Datasheets & Catalog Pages

[SOFT_SHELL_PIN_SOCKET_CONNECTORS_STANDARD_DENSITY](#)

English

Product Specifications

[Application Specification](#)

English

Instruction Sheets

[Instruction Sheet \(U.S.\)](#)

English