



AMP | AMP Miniature Rectangular MR

TE Internal #: 1-350373-9

Strain Relief Cover, Black, Nylon, 6 Position, AMP Miniature Rectangular MR

[View on TE.com >](#)

Connectors > Connector Accessories > Connector Caps & Covers



Connector Cover Type: **Strain Relief Cover**

Primary Product Color: **Black**

Primary Product Material: **Nylon**

Number of Positions: **6**

Operating Temperature (Max): **85 °C [ 185 °F ]**

**Features**

**Product Type Features**

Sealable	No
Connector Cover Type	Strain Relief Cover

**Configuration Features**

Number of Positions	6
---------------------	---

**Body Features**

Primary Product Color	Black
Primary Product Material	Nylon

**Mechanical Attachment**

Strain Relief	With
---------------	------

**Usage Conditions**

Operating Temperature (Max)	85 °C[185 °F]
Operating Temperature Range	-55 – 85 °C[-67 – 185 °F]

**Industry Standards**

Compatible With Agency/Standards Products	CSA, UL
---	---------

## Packaging Features

Packaging Method	Box
Packaging Quantity	100

## Product Compliance

[For compliance documentation, visit the product page on TE.com>](#)

EU RoHS Directive 2011/65/EU	Compliant
EU ELV Directive 2000/53/EC	Compliant
China RoHS 2 Directive MIIT Order No 32, 2016	No Restricted Materials Above Threshold
EU REACH Regulation (EC) No. 1907/2006	Current ECHA Candidate List: JAN 2025 (247) Candidate List Declared Against: JAN 2025 (247) Does not contain REACH SVHC
Halogen Content	Low Halogen - Br, Cl, F, I < 900 ppm per homogenous material. Also BFR/CFR/PVC Free
Solder Process Capability	Not applicable for solder process capability

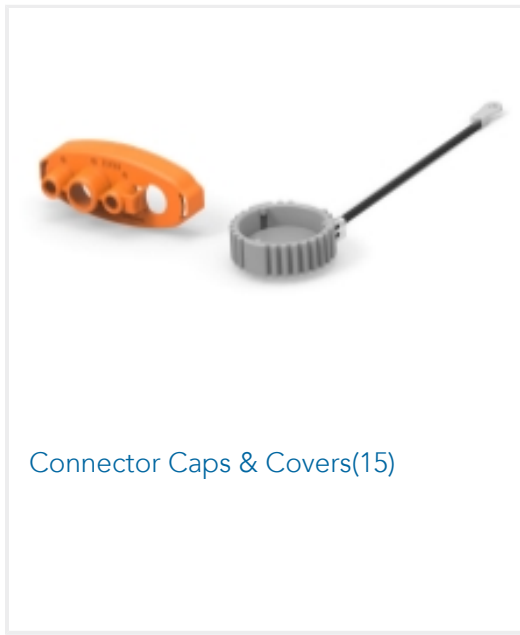
### Product Compliance Disclaimer

This information is provided based on reasonable inquiry of our suppliers and represents our current actual knowledge based on the information they provided. This information is subject to change. The part numbers that TE has identified as EU RoHS compliant have a maximum concentration of 0.1% by weight in homogenous materials for lead, hexavalent chromium, mercury, PBB, PBDE, DBP, BBP, DEHP, DIBP, and 0.01% for cadmium, or qualify for an exemption to these limits as defined in the Annexes of Directive 2011/65/EU (RoHS2). Finished electrical and electronic equipment products will be CE marked as required by Directive 2011/65/EU. Components may not be CE marked. Additionally, the part numbers that TE has identified as EU ELV compliant have a maximum concentration of 0.1% by weight in homogenous materials for lead, hexavalent chromium, and mercury, and 0.01% for cadmium, or qualify for an exemption to these limits as defined in the Annexes of Directive 2000/53/EC (ELV). Regarding the REACH Regulation, the information TE provides on SVHC in articles for this part number is based on the latest European Chemicals Agency (ECHA) 'Guidance on requirements for substances in articles' posted at this URL: <https://echa.europa.eu/guidance-documents/guidance-on-reach>

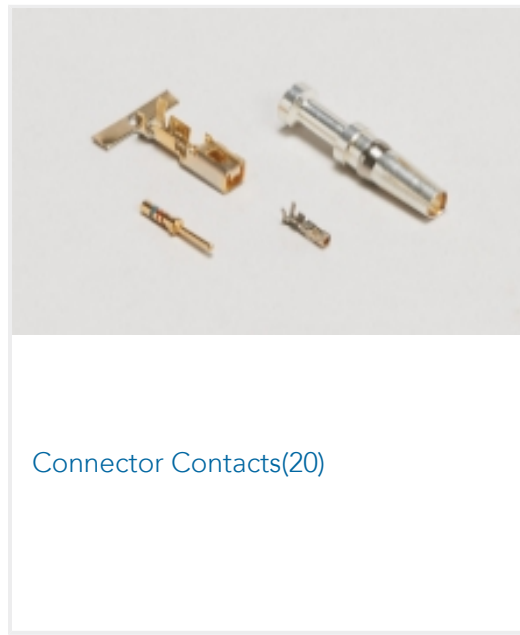
## Compatible Parts



Also in the Series | [AMP Miniature Rectangular MR](#)



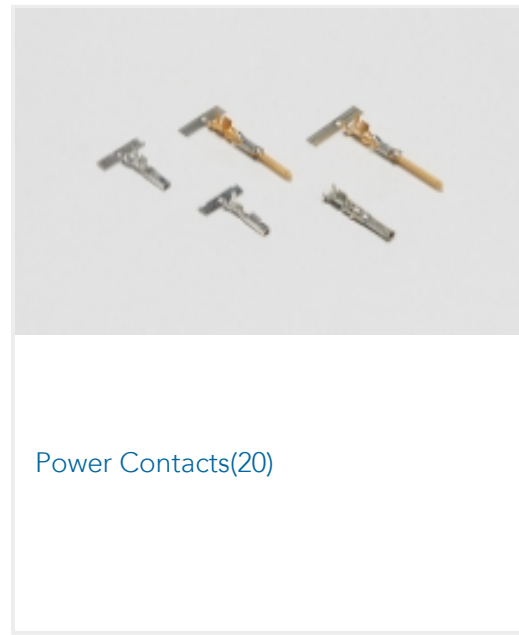
Connector Caps & Covers(15)



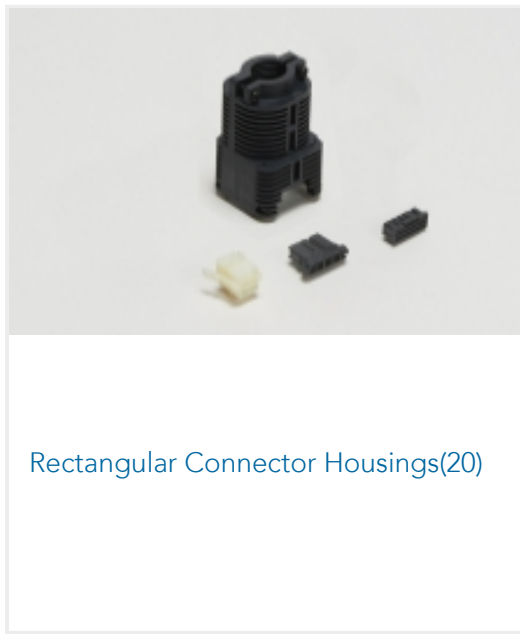
Connector Contacts(20)



Connector Hardware(2)



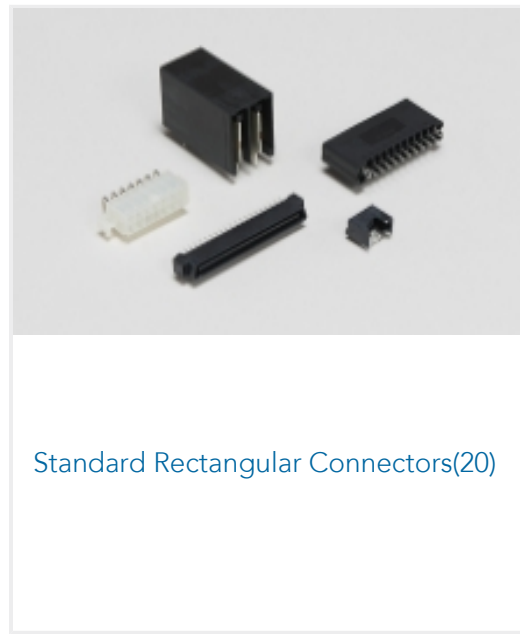
Power Contacts(20)



Rectangular Connector Housings(20)

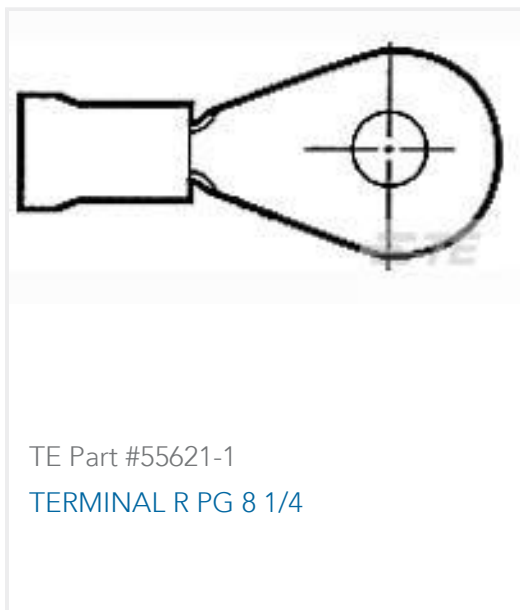


Rectangular Power Connectors(77)



Standard Rectangular Connectors(20)

### Customers Also Bought



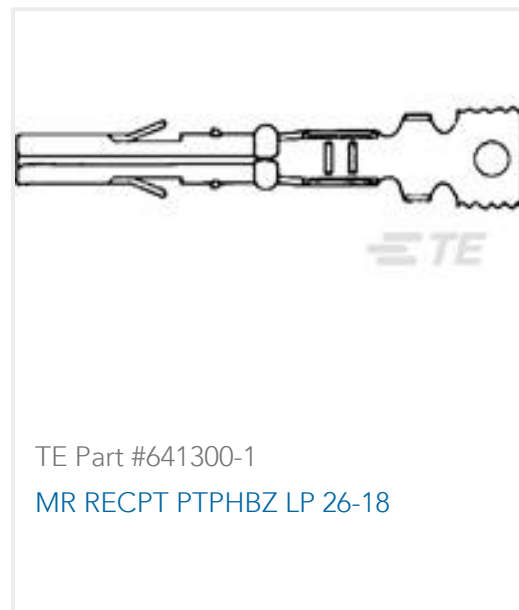
TE Part #55621-1  
TERMINAL R PG 8 1/4



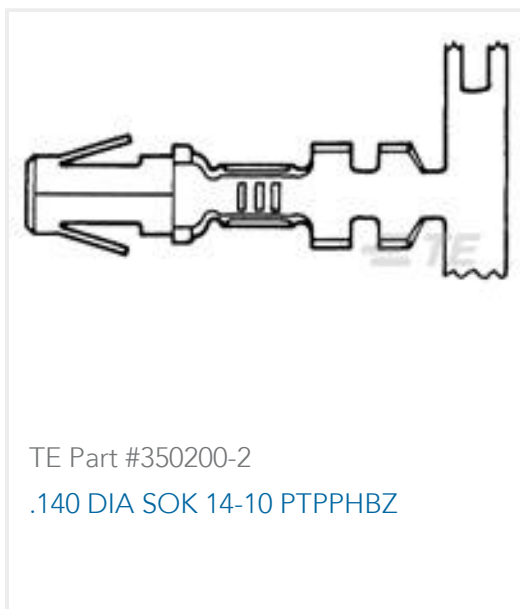
TE Part #2-34141-1  
PG R 22-16 COMM 22-18 MIL 4



TE Part #1-350522-9  
09P MR STR/REL HNG BLK



TE Part #641300-1  
MR RECPT PTPHBZ LP 26-18



TE Part #350200-2  
.140 DIA SOK 14-10 PTPHBZ



TE Part #52924-1  
TERMINAL,PIDG SPR SPD 26-22 6



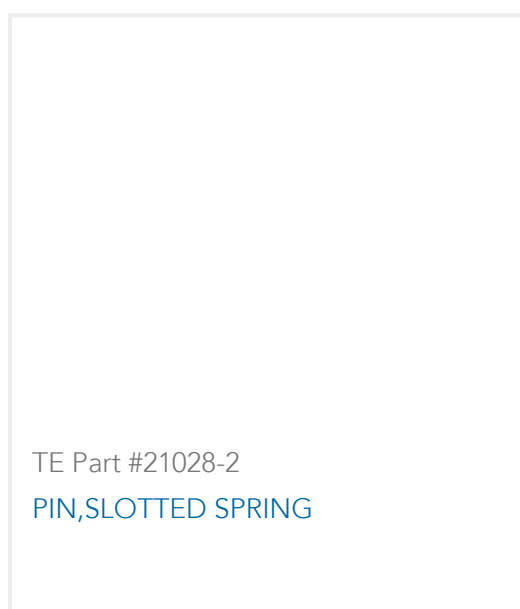
TE Part #640250-9  
09P SL156 HSG W/LCK RAMP NATL



TE Part #2-160256-2  
250 FASTON,REC.,17-14 AWG,TPBR



TE Part #6609070-4  
25FCD10 J0=F7751



TE Part #21028-2  
PIN,SLOTTED SPRING

### Documents



### Product Drawings

#### 06P STR/REL HNGD

English

---

### CAD Files

#### Customer View Model

[ENG\\_CVM\\_1-350373-9\\_K.3d\\_igs.zip](#)

English

#### Customer View Model

[ENG\\_CVM\\_1-350373-9\\_K.3d\\_stp.zip](#)

English

#### Customer View Model

[ENG\\_CVM\\_1-350373-9\\_K.2d\\_dxf.zip](#)

English

#### 3D PDF

English

#### 3D PDF

3D

#### Customer View Model

[ENG\\_CVM\\_CVM\\_1-350373-9\\_AE.2d\\_dxf.zip](#)

English

#### Customer View Model

[ENG\\_CVM\\_CVM\\_1-350373-9\\_AE.3d\\_igs.zip](#)

English

#### Customer View Model

[ENG\\_CVM\\_CVM\\_1-350373-9\\_AE.3d\\_stp.zip](#)

English

By downloading the CAD file I accept and agree to the [Terms and Conditions](#) of use.

---

### Datasheets & Catalog Pages

#### SOFT\_SHELL\_PIN\_AND\_SOCKET\_CONNECTORS\_CATALOG

English

---

### Product Specifications

#### Application Specification

English

---

### Instruction Sheets

#### Instruction Sheet (U.S.)

English

#### AMP\* MINIATURE RECTANGULAR II (MRII) CONNECTORS

English