



RITS | RITS Plug Connector

TE Internal #: 1-2295044-4

Connector Assembly, Plug, Crimp, Wire-to-Board, Gold (Au), UL 94V-0, 4 Position, RITS Plug Connector, Rectangular Wire & Cable Connectors & Housings

[View on TE.com >](#)

Connectors > Rectangular Connectors > Standard Rectangular Connectors



Connector Product Type: **Connector Assembly**

Connector & Housing Type: **Plug**

Mating Alignment: **With**

Mating Alignment Type: **Polarization**

Mating Retention: **With**

Features

Product Type Features

| | |
|-----------------------------------|--------------------|
| Connector Product Type | Connector Assembly |
| Connector & Housing Type | Plug |
| Connector System | Wire-to-Board |
| Sealable | No |
| Connector & Contact Terminates To | Wire & Cable |

Configuration Features

| | |
|---------------------|-----|
| Contacts Preloaded | Yes |
| Number of Positions | 4 |
| Number of Rows | 1 |

Electrical Characteristics

| | |
|-------------------|--------|
| Operating Voltage | 32 VDC |
|-------------------|--------|

Body Features

| | |
|-----------------------|-----|
| Primary Product Color | Red |
|-----------------------|-----|



Contact Features

| | |
|--|-----------|
| Contact Underplating Material | Nickel |
| Wire Contact Termination Area Plating Material | Tin |
| Contact Layout | Inline |
| Contact Type | Tab |
| Contact Mating Area Plating Material | Gold (Au) |
| Contact Retention Within Housing | Without |
| Contact Current Rating (Max) | 3 A |

Termination Features

| | |
|------------------------------------|-------|
| Termination Method to Wire & Cable | Crimp |
|------------------------------------|-------|

Mechanical Attachment

| | |
|-----------------------|--------------|
| Mating Alignment | With |
| Mating Alignment Type | Polarization |
| Mating Retention | With |
| Mating Retention Type | Latch |

Housing Features

| | |
|------------------|------------------|
| Housing Material | Thermoplastic GF |
|------------------|------------------|

Dimensions

| | |
|------------------|------------------|
| Connector Width | 5.05 mm[.198 in] |
| Connector Height | 18.5 mm[.728 in] |
| Connector Length | 16.1 mm[.633 in] |

Usage Conditions

| | |
|-----------------------------|---------------------------|
| Operating Temperature Range | -30 – 75 °C[-22 – 167 °F] |
|-----------------------------|---------------------------|

Operation/Application

| | |
|---------------------|--------|
| Halogen Free | Yes |
| Shielded | No |
| Circuit Application | Signal |

Identification Marking

| | |
|--------------------------------|---------|
| Circuit Identification Feature | Without |
|--------------------------------|---------|

Industry Standards

| | |
|------------------------|-------------------------------|
| Glow Wire Rating | Standard Part - Not Glow Wire |
| UL Flammability Rating | UL 94V-0 |



Packaging Features

| | |
|--------------------|------|
| Packaging Quantity | 31 |
| Packaging Method | Tube |

Product Compliance

[For compliance documentation, visit the product page on TE.com>](#)

| | |
|---|---|
| EU RoHS Directive 2011/65/EU | Compliant |
| EU ELV Directive 2000/53/EC | Compliant |
| China RoHS 2 Directive MIIT Order No 32, 2016 | No Restricted Materials Above Threshold |
| EU REACH Regulation (EC) No. 1907/2006 | Current ECHA Candidate List: JAN 2025 (247) Candidate List Declared Against: JAN 2025 (247) Does not contain REACH SVHC |
| Halogen Content | Not Low Halogen - contains Br or Cl > 900 ppm. |
| Solder Process Capability | Wave solder capable to 265°C |

Product Compliance Disclaimer

This information is provided based on reasonable inquiry of our suppliers and represents our current actual knowledge based on the information they provided. This information is subject to change. The part numbers that TE has identified as EU RoHS compliant have a maximum concentration of 0.1% by weight in homogenous materials for lead, hexavalent chromium, mercury, PBB, PBDE, DBP, BBP, DEHP, DIBP, and 0.01% for cadmium, or qualify for an exemption to these limits as defined in the Annexes of Directive 2011/65/EU (RoHS2). Finished electrical and electronic equipment products will be CE marked as required by Directive 2011/65/EU. Components may not be CE marked. Additionally, the part numbers that TE has identified as EU ELV compliant have a maximum concentration of 0.1% by weight in homogenous materials for lead, hexavalent chromium, and mercury, and 0.01% for cadmium, or qualify for an exemption to these limits as defined in the Annexes of Directive 2000/53/EC (ELV). Regarding the REACH Regulation, the information TE provides on SVHC in articles for this part number is based on the latest European Chemicals Agency (ECHA) 'Guidance on requirements for substances in articles' posted at this URL: <https://echa.europa.eu/guidance-documents/guidance-on-reach>

Compatible Parts





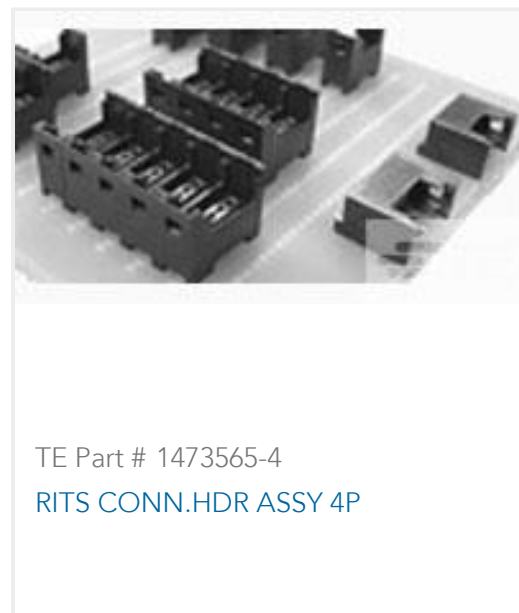
TE Part # 5-1473574-4
RITS.JUNCTION BOX 4D 4P F/H



TE Part # 1473571-4
RITS.JUNCTION BOX 2D 4P P/M

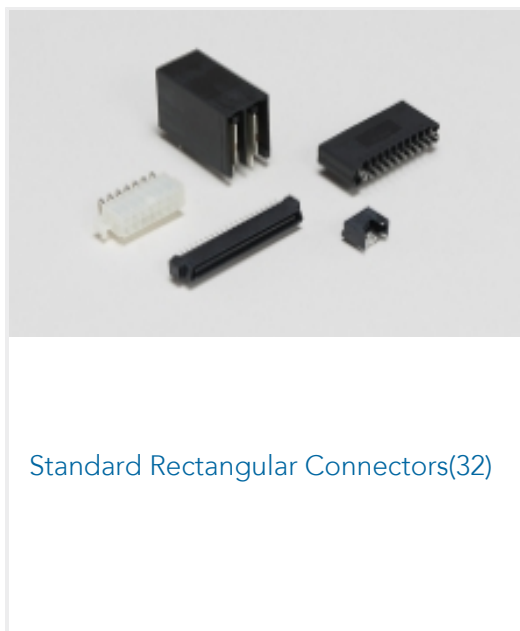


TE Part # 1473574-4
RITS.JUNCTION BOX 4D 4P P/M



TE Part # 1473565-4
RITS CONN.HDR ASSY 4P

Also in the Series | RITS Plug Connector



Standard Rectangular Connectors(32)

Customers Also Bought



TE Part #2174054-1
ENC. CBL I/O KIT 100SET , M-MOTOR PLUS



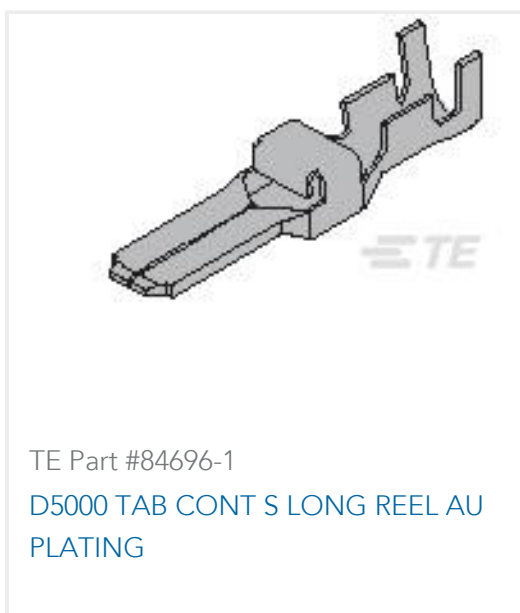
TE Part #1-1827863-4
DYNAMIC 1100D REC HSG X 28P BLACK



TE Part #2174065-4
REC. CONT. FMG. M-MOTOR PLUS



TE Part #2-2295321-4
RITS CONN. SOCKET ASSY 4P BLUE TIN



TE Part #84696-1
D5000 TAB CONT S LONG REEL AU PLATING



TE Part #2295205-1
THERMOCOUPLE CONNECTOR. STRAIN RELIEF.



TE Part #2295321-4
RITS CONN. SOCKET ASSY 4P YELLOW TIN



TE Part #175286-2
DYNAMIC D-3 TAB CONT. L AU 0.38



TE Part #1-2198618-5
Ni Pltd Plstic Backshell, 15 Way, 45 Deg



TE Part #3-2198618-7
Ni Pltd Plstic Backshell, 37 Way, 45 Deg



Documents

Product Drawings

[RITS CONN. PLUG ASSY 4P RED TIN](#)

Japanese

CAD Files

[3D PDF](#)

3D

Customer View Model

[ENG_CVM_CVM_1-2295044-4_A.2d_dxf.zip](#)

English

Customer View Model

[ENG_CVM_CVM_1-2295044-4_A.3d_igs.zip](#)

English

Customer View Model

[ENG_CVM_CVM_1-2295044-4_A.3d_stp.zip](#)

English

By downloading the CAD file I accept and agree to the [Terms and Conditions](#) of use.

Product Specifications

[Product Specification](#)

Japanese

Instruction Sheets

[Instruction Sheet \(non U.S.\)](#)

Japanese

[RITS Connector Interconnection System/e-CON Connector](#)

Japanese

[Instruction Sheet \(non U.S.\)](#)

Japanese

[HAND TOOL FOR RITS PLUG SOCKET ASSEMBLY](#)

Japanese