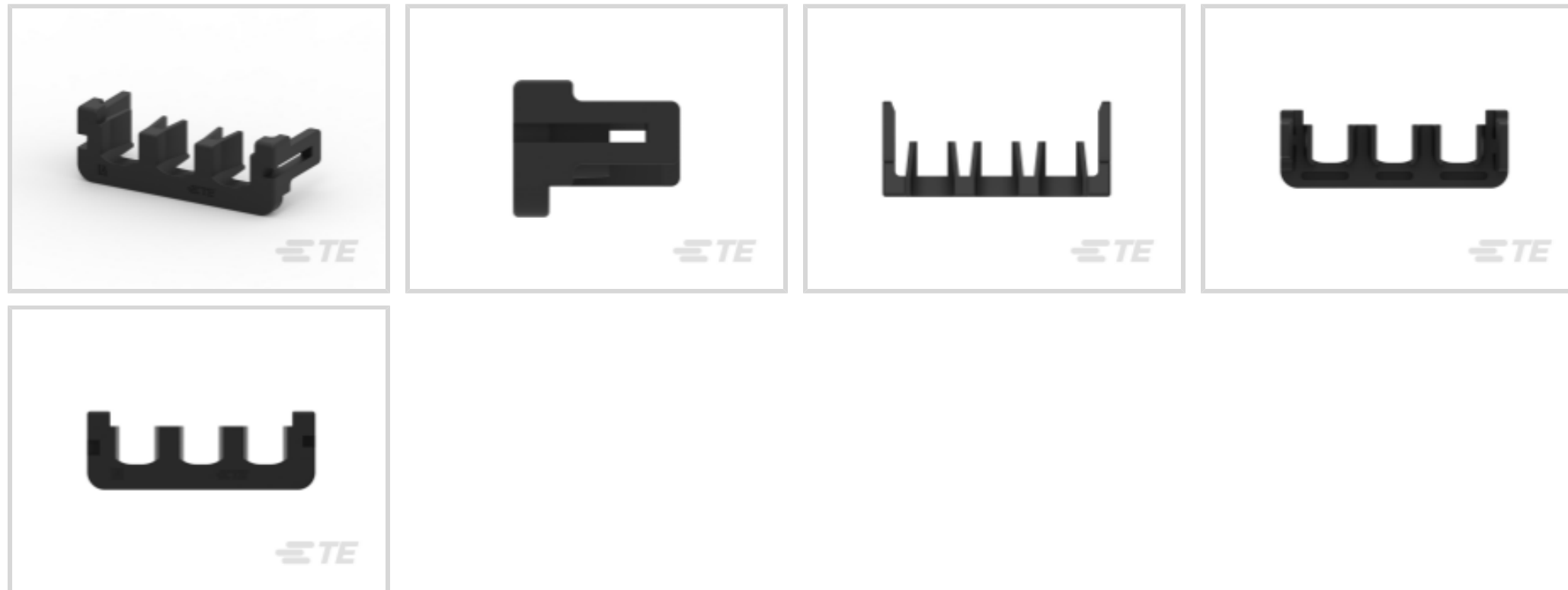




Connectors > Connector Accessories > Connector Hardware



Connector Hardware Accessory Type: **TPA (Terminal Position Assurance)**

Operating Temperature (Max): **105 °C [ 221 °F ]**

Operating Temperature Range: **-40 – 105 °C [ -40 – 221 °F ]**

Hardware Accessory Function: **Position Assurance**

## Features

### Product Type Features

Connector Hardware Accessory Type	TPA (Terminal Position Assurance)
Hardware Accessory Function	Position Assurance

### Usage Conditions

Operating Temperature (Max)	105 °C[221 °F]
Operating Temperature Range	-40 – 105 °C[-40 – 221 °F]

### Packaging Features

Packaging Method	Bag
Packaging Quantity	3000

## Product Compliance

[For compliance documentation, visit the product page on TE.com>](#)

EU RoHS Directive 2011/65/EU	Compliant
EU ELV Directive 2000/53/EC	Compliant
China RoHS 2 Directive MIIT Order No 32, 2016	No Restricted Materials Above Threshold
EU REACH Regulation (EC) No. 1907/2006	Current ECHA Candidate List: JAN 2025 (247)



Candidate List Declared Against: JAN 2025  
(247)

Does not contain REACH SVHC

Halogen Content

Low Halogen - Br, Cl, F, I < 900 ppm per homogenous material. Also BFR/CFR/PVC Free

Solder Process Capability

Not reviewed for solder process capability

Product Compliance Disclaimer

This information is provided based on reasonable inquiry of our suppliers and represents our current actual knowledge based on the information they provided. This information is subject to change. The part numbers that TE has identified as EU RoHS compliant have a maximum concentration of 0.1% by weight in homogenous materials for lead, hexavalent chromium, mercury, PBB, PBDE, DBP, BBP, DEHP, DIBP, and 0.01% for cadmium, or qualify for an exemption to these limits as defined in the Annexes of Directive 2011/65/EU (RoHS2). Finished electrical and electronic equipment products will be CE marked as required by Directive 2011/65/EU. Components may not be CE marked. Additionally, the part numbers that TE has identified as EU ELV compliant have a maximum concentration of 0.1% by weight in homogenous materials for lead, hexavalent chromium, and mercury, and 0.01% for cadmium, or qualify for an exemption to these limits as defined in the Annexes of Directive 2000/53/EC (ELV). Regarding the REACH Regulation, the information TE provides on SVHC in articles for this part number is based on the latest European Chemicals Agency (ECHA) 'Guidance on requirements for substances in articles' posted at this URL: <https://echa.europa.eu/guidance-documents/guidance-on-reach>

## Compatible Parts



TE Part # 4-1871867-1  
GRACE INERTIA 6.2mm PITCH PLUG  
3POS



TE Part # 1747995-2  
GHC EYELET 6.2 3POS PLUG  
HOUSING RED



TE Part # 4-1746978-1  
GRACE INERTIA 6.2mm PITCH CAP  
3POS



TE Part # 1747995-4  
GHC EYELET 6.2 3POS PLUG  
HOUSING YELLOW



TE Part # 1747995-1  
GHC EYELET 6.2 3POS PLUG  
HOUSING NATURAL

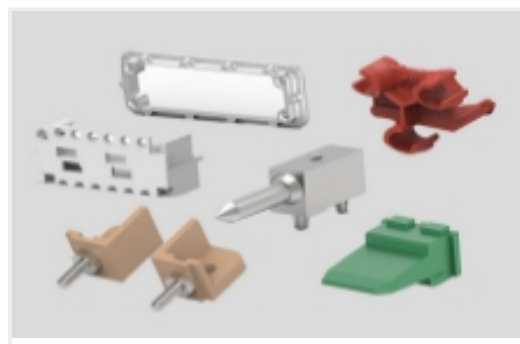


TE Part # 1747995-3  
GHC EYELET 6.2 3POS PLUG  
HOUSING BLUE

Also in the Series | **GRACE INERTIA 6.2**



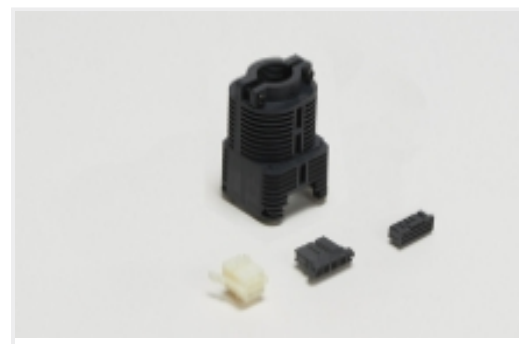
Connector Contacts(4)



Connector Hardware(1)



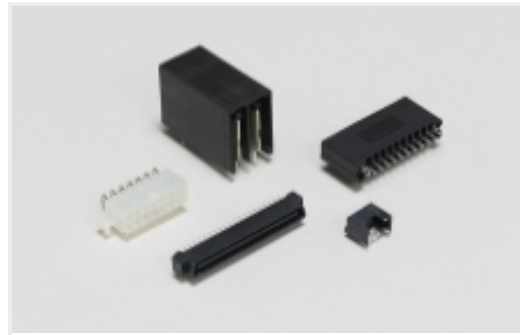
Power Contacts(4)



Rectangular Connector Housings(13)



Rectangular Power Connectors(13)

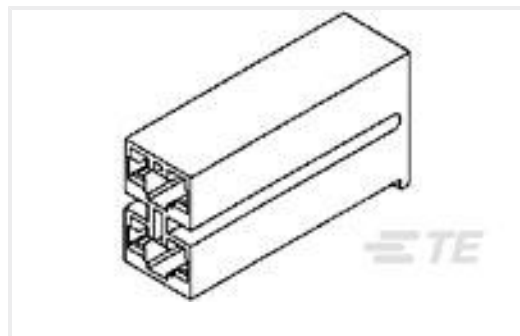


Standard Rectangular Connectors(13)

## Customers Also Bought



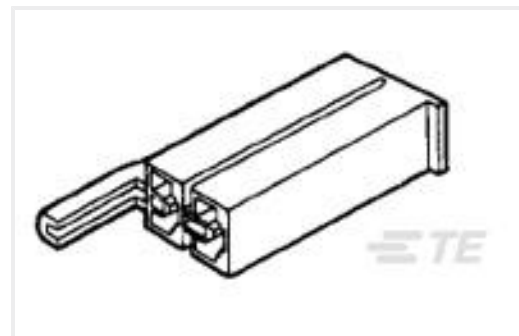
TE Part #40523  
RING TERMINAL 12-10 AWG TPBR



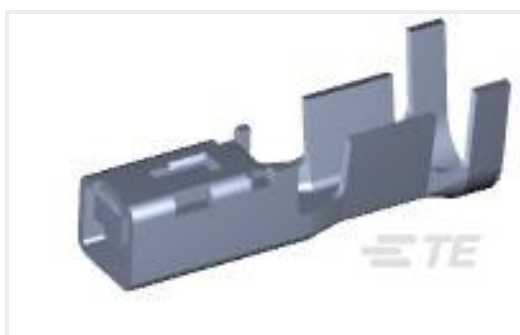
TE Part #172210-1  
POSITIVE LOCK 250 HOUSING RECEPTACLE



TE Part #2381807-2  
TRI-SLOT MAG-MATE, SLIM LINE



TE Part #1-174587-1  
PL MK2 2P 187 HOUSING RECEPTACLE NAT



TE Part #1746972-1  
GRACE INERTIA CONNECTOR 6.2 MM PITCH REC



TE Part #2232563-1  
GHC 9.0MM 3POS TPA



TE Part #1747995-2  
GHC EYELET 6.2 3POS PLUG HOUSING RED



TE Part #1747995-3  
GHC EYELET 6.2 3POS PLUG HOUSING BLUE



TE Part #CAT-G7534-P729A  
Glow Wire GRACE INERTIA Plug

## Documents



## Product Drawings

### GHC 6.2MM 3POS TPA HSG

English

---

## CAD Files

### 3D PDF

3D

#### Customer View Model

[ENG\\_CVM\\_CVM\\_1-2232564-1\\_A.2d\\_dxf.zip](#)

English

#### Customer View Model

[ENG\\_CVM\\_CVM\\_1-2232564-1\\_A.3d\\_igs.zip](#)

English

#### Customer View Model

[ENG\\_CVM\\_CVM\\_1-2232564-1\\_A.3d\\_stp.zip](#)

English

By downloading the CAD file I accept and agree to the [Terms and Conditions](#) of use.

---

## Product Specifications

### Application Specification

English