

1-104891-0 ✓ ACTIVE

AMPMODU | AMPMODU 50/50 Grid

TE Internal #: 1-104891-0

Terminating Cover, Black, Polyester, 100 Position, AMPMODU 50/50 Grid

[View on TE.com >](#)



Connectors > Connector Accessories > Connector Caps & Covers



Connector Cover Type: **Terminating Cover**

Primary Product Color: **Black**

Primary Product Material: **Polyester**

Number of Positions: **100**

Operating Temperature (Max): **105 °C [ 221 °F ]**

## Features

### Product Type Features

Product Profile	Standard
Connector Cover Type	Terminating Cover

### Configuration Features

Number of Rows	2
Number of Positions	100

### Body Features

Connector Cover Side	Front
Primary Product Color	Black
Primary Product Material	Polyester

### Housing Features

Centerline (Pitch)	1.27 mm[.05 in]
--------------------	-----------------

### Dimensions

Row-to-Row Spacing	1.27 mm[.05 in]
--------------------	-----------------

### Usage Conditions

Operating Temperature (Max)	105 °C[221 °F]
Operating Temperature Range	-65 – 105 °C[-85 – 221 °F]

### Industry Standards

UL Flammability Rating	UL 94V-0
------------------------	----------

## Product Compliance

[For compliance documentation, visit the product page on TE.com>](#)

EU RoHS Directive 2011/65/EU	Compliant
EU ELV Directive 2000/53/EC	Compliant
China RoHS 2 Directive MIIT Order No 32, 2016	No Restricted Materials Above Threshold
EU REACH Regulation (EC) No. 1907/2006	Current ECHA Candidate List: JAN 2025 (247) Candidate List Declared Against: JUNE 2022 (224) Does not contain REACH SVHC
Halogen Content	Not Low Halogen - contains Br or Cl > 900 ppm.
Solder Process Capability	Not applicable for solder process capability

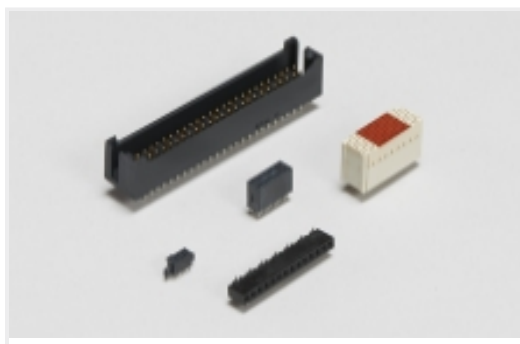
### Product Compliance Disclaimer

This information is provided based on reasonable inquiry of our suppliers and represents our current actual knowledge based on the information they provided. This information is subject to change. The part numbers that TE has identified as EU RoHS compliant have a maximum concentration of 0.1% by weight in homogenous materials for lead, hexavalent chromium, mercury, PBB, PBDE, DBP, BBP, DEHP, DIBP, and 0.01% for cadmium, or qualify for an exemption to these limits as defined in the Annexes of Directive 2011/65/EU (RoHS2). Finished electrical and electronic equipment products will be CE marked as required by Directive 2011/65/EU. Components may not be CE marked. Additionally, the part numbers that TE has identified as EU ELV compliant have a maximum concentration of 0.1% by weight in homogenous materials for lead, hexavalent chromium, and mercury, and 0.01% for cadmium, or qualify for an exemption to these limits as defined in the Annexes of Directive 2000/53/EC (ELV). Regarding the REACH Regulation, the information TE provides on SVHC in articles for this part number is based on the latest European Chemicals Agency (ECHA) 'Guidance on requirements for substances in articles' posted at this URL: <https://echa.europa.eu/guidance-documents/guidance-on-reach>

## Compatible Parts



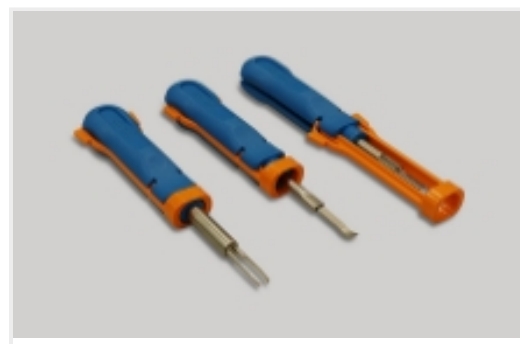
Also in the Series | [AMPMODU 50/50 Grid](#)



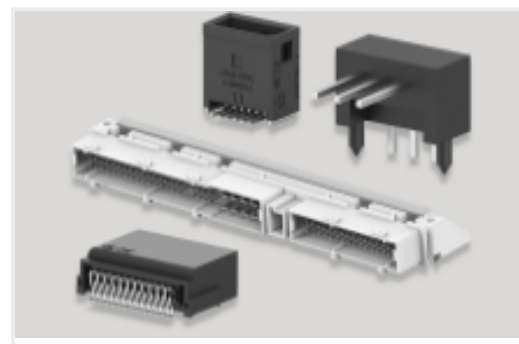
Board-to-Board Headers & Receptacles(193)



Connector Caps & Covers(7)



Insertion & Extraction Tools(1)



PCB Headers & Receptacles(193)



Rectangular Power Connectors(12)



Ribbon Cable Connectors(21)

## Customers Also Bought



TE Part #5-146253-1  
02 MODII HDR DRST B/A .100CL LF



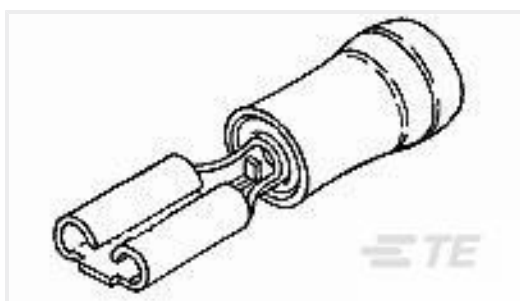
TE Part #A71141-000  
T1K-508127-5-9



TE Part #YDTS32W17RV0010000  
DUST COVER ASSEM



TE Part #6651204-1  
POS30 MINI DRAWER CONN,PIN



TE Part #8-60894-1  
RECEPT,PIDG FASTON 22-18 110



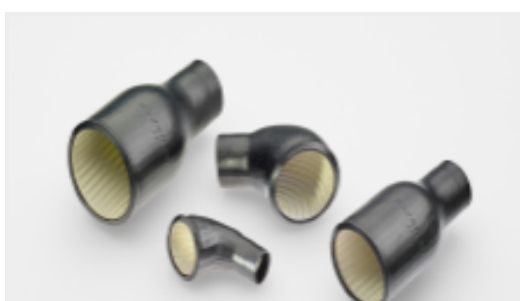
TE Part #228583-1  
RT ANGLE PLUG, SERIES SMA



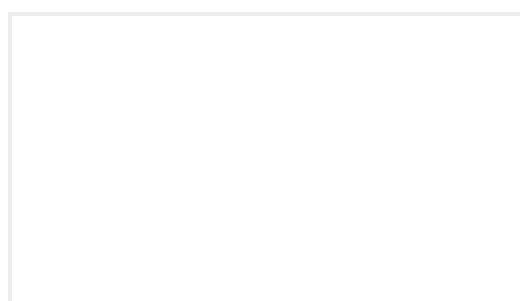
TE Part #5-535541-2  
04 MODIV VRT SR CE 100/115



TE Part #501939-000  
D-150-0096



TE Part #EK7341-000  
382S028-25C-0



TE Part #9775490001  
TMS-SCE-3/8-2.0-2

## Documents



### Product Drawings

#### 100 50/50 GRID CBLE RCPT COVER

English

---

### CAD Files

#### 3D PDF

English

#### Customer View Model

[ENG\\_CVM\\_1-104891-0\\_C.3d\\_igs.zip](#)

English

#### Customer View Model

[ENG\\_CVM\\_1-104891-0\\_C.3d\\_stp.zip](#)

English

#### Customer View Model

[ENG\\_CVM\\_1-104891-0\\_C.2d\\_dxf.zip](#)

English

By downloading the CAD file I accept and agree to the [Terms and Conditions](#) of use.

---

### Datasheets & Catalog Pages

#### AMPMODU\_INTERCONNECTION\_SYSTEM\_SECTION1AND2

English

#### Ribbon Cable Interconnect Solutions

English

#### Fine Pitch Stacking Connectors - 1.27mm AMPMODU 50/50 Grid Connectors

English

[5-1773700-6\\_AMPMODU\\_50\\_50\\_QRG](#)

English

---

### Product Specifications

#### Application Specification

English