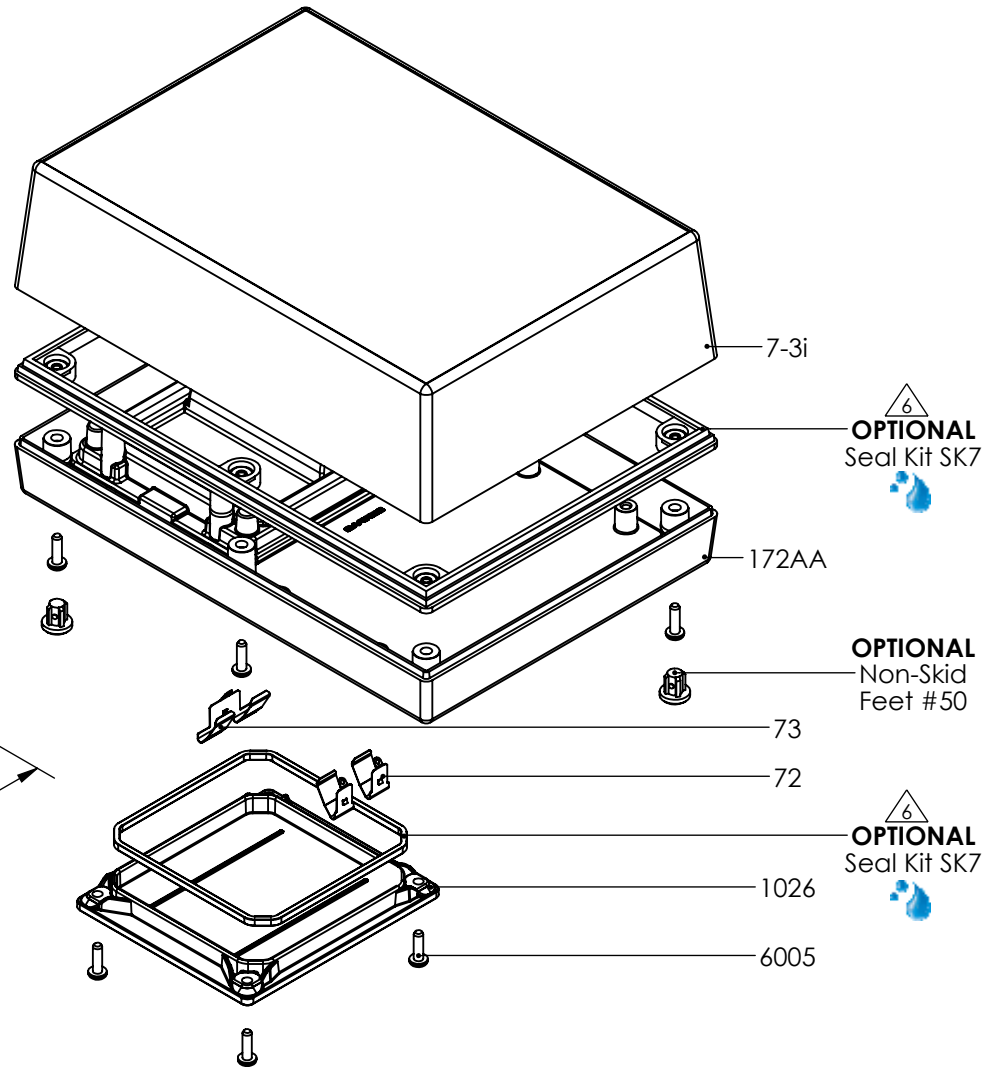
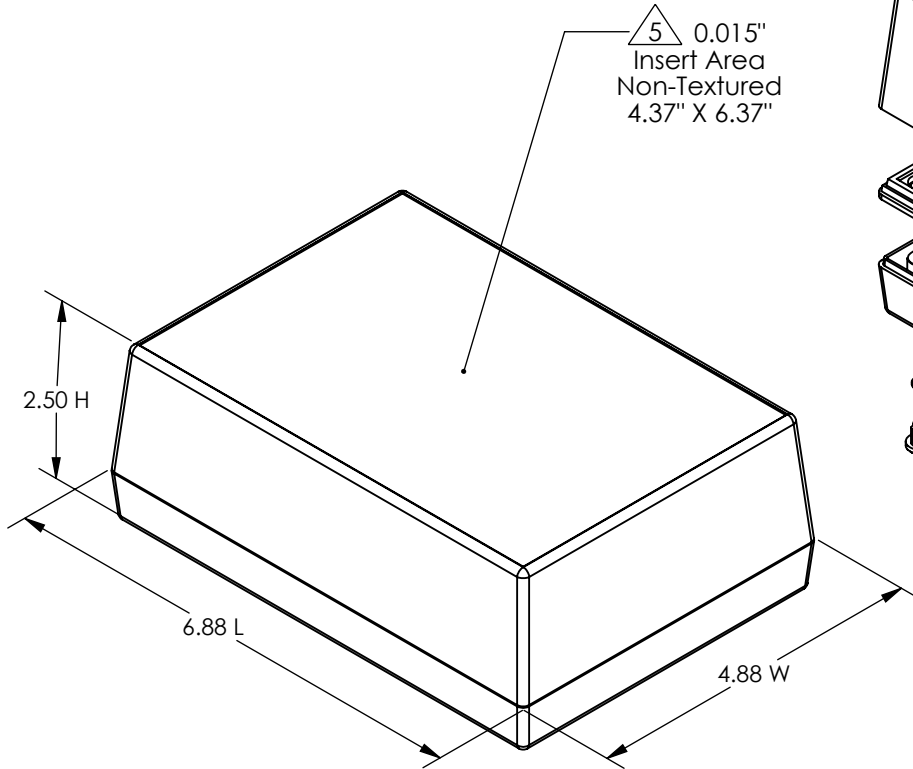


SERPAC 173i2AA

ELECTRONIC ENCLOSURES



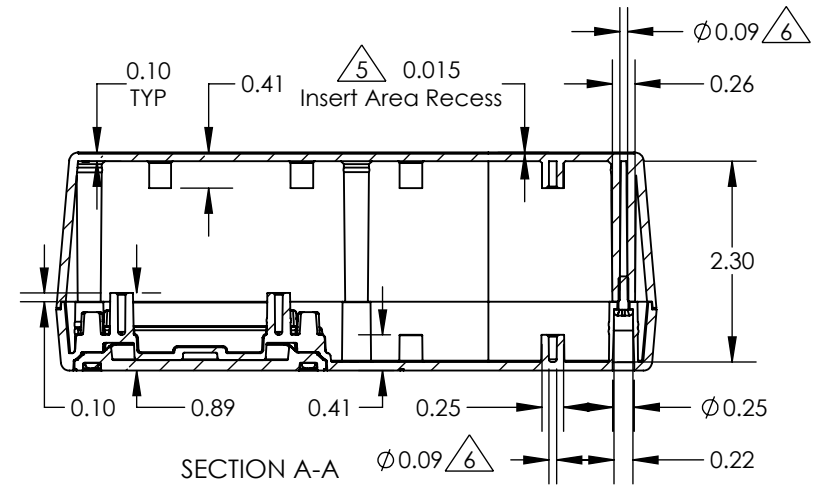
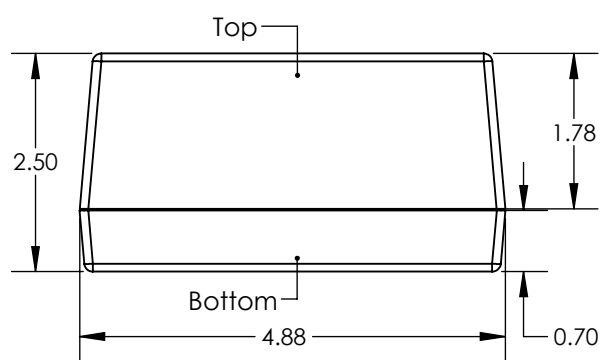
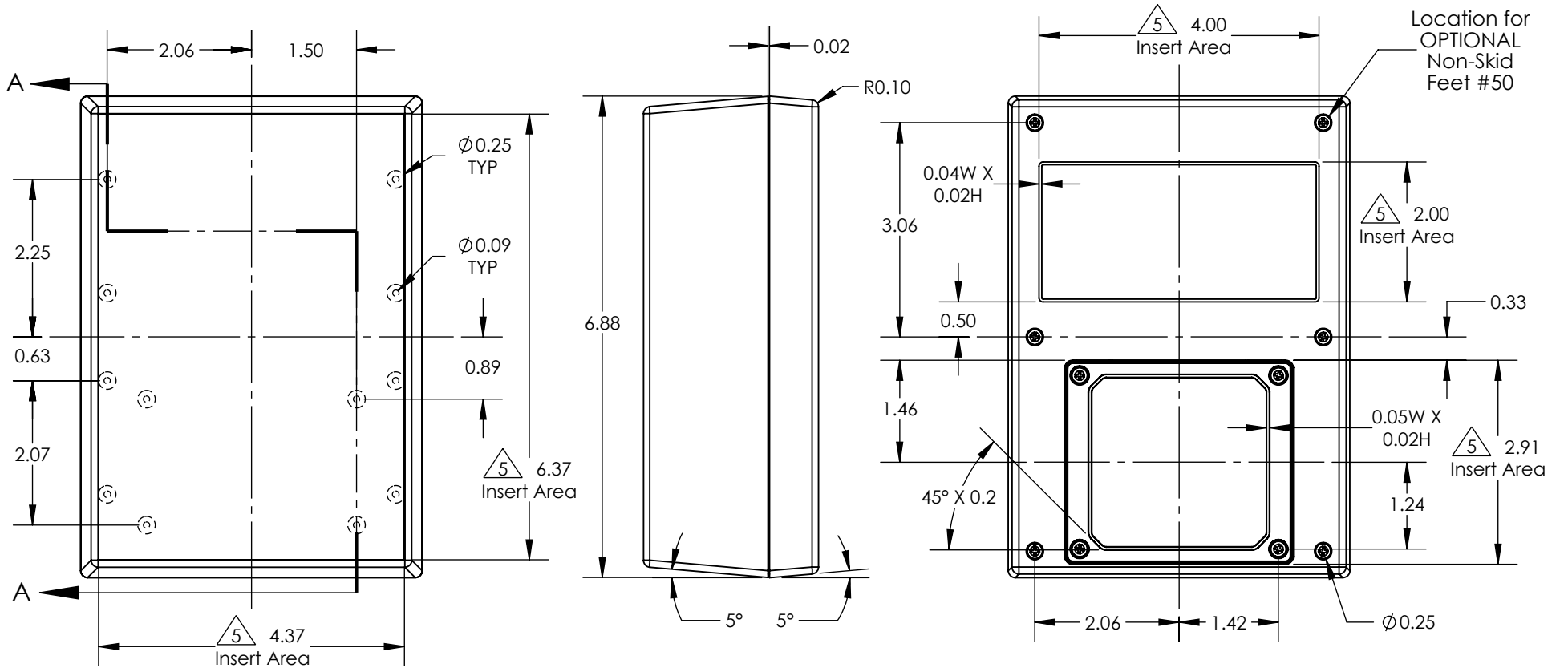
PART NO.	DESCRIPTION (Included)	ACCESSORIES (Optional)	
7-3i	Top	PART NO.	DESCRIPTION
172AA	2AA Bottom	50	Non-Skid Feet
6005	#4X3/8" Self-Tapping Screw (8)	60	Standoff Hole
1026	Access Door	61	Standoff Post
73	Double Battery Contact	SK7	Waterproof Seal Kit
72	Single Battery Contact (2)		

Notes: Enclosure weight .54 lb / 245 g

- 1) Enclosure meets or exceeds IP40 and NEMA 1
- 2) Circuit Board drawings see sheet 3.
- 3) All components are RoHS Compliant.
- 4) Material: Top and Bottom ABS.
- 5) Customizable Molding Areas.
- 6) When used with SK7 the enclosure meets or exceeds IP 67 and NEMA 4X, 12 and 13 MIL-STD-810G 506.5 (.03 lb / 14g)

SERPAC 173i2AA

ELECTRONIC ENCLOSURES

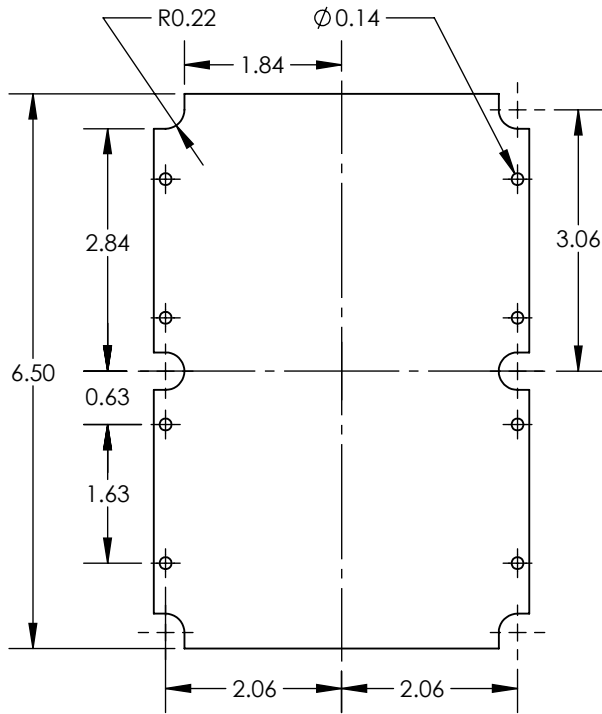


- Notes:
- 1) Enclosure weight .54 lb / 245 g
 - 2) Enclosure meets or exceeds IP40 and NEMA 1
 - 3) Circuit Board drawings see sheet 3.
 - 4) All components are RoHS Compliant.
 - 5) Material: Top and Bottom ABS.
 - 6) Customizable molding areas. 5
 - 7) PCB Bosses accept #4 self tapping screw. 6
 - 8) When used with SK7 the enclosure meets or exceeds IP 67 and NEMA 4X, 12 and 13 MIL-STD-810G 506.5 (.03 lb / 14g)

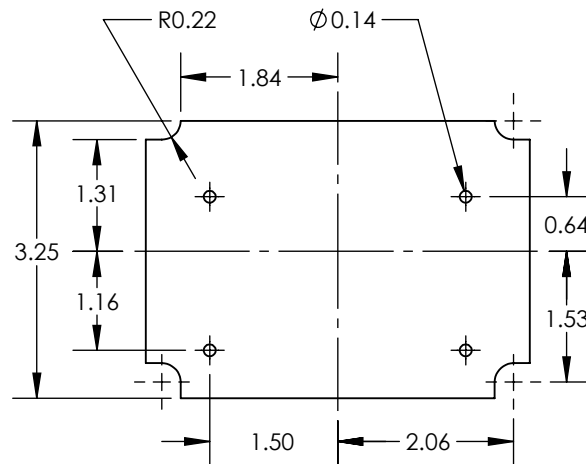
SERPAC 173i2AA CIRCUIT BOARD

ELECTRONIC ENCLOSURES

Top Option



Bottom Option A



Bottom Option B

