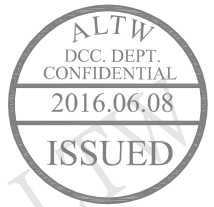
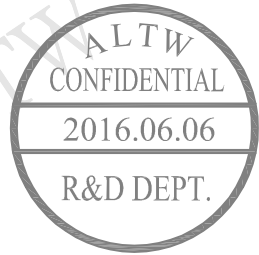
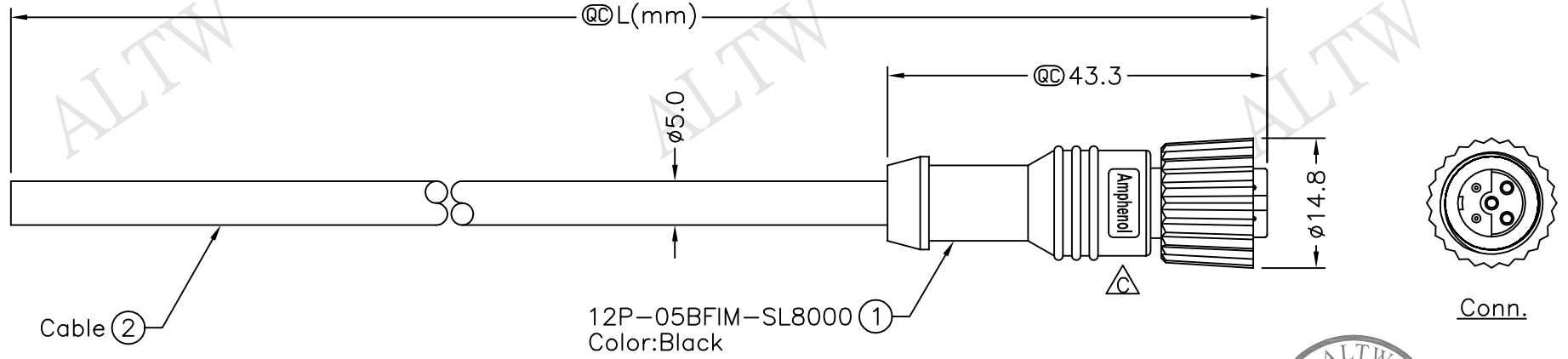
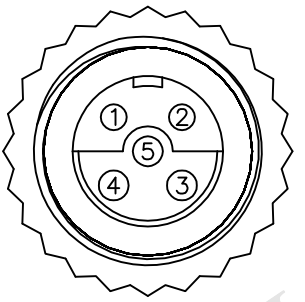


REV.	ECN NO.	DATE	SIGN	DESCRIPTION
B	LEN-930615~618	2009/02/04	ZhaoRongFu	Update the drawing.
C	LEN1660499~502	2016/06/06	Vicky	Update Logo



12P-05BFIM-SL8BXX
 XX:01~99Meters
 01:01Meter
 02:02Meters
 :
 :
 99:99Meters
 Cable Length(L):01~99Meters

- Note:
- * @C Important Dimension.
 - * Waterproof Rate:IP68.
In 1 meter water within 24 hours.
 - * Connector:PU,Black.
 - * Pin:Copper Alloy,Gold Plated.
 - * Cable:22AWG*5C+Insulation,Black, PU Jacket,OD=5.0mm.
 - * Cable Length Tolerance:
 - 01M:±40mm
 - 02M~05M:±60mm
 - 06M~10M:±100mm
 - 11M~30M:±200mm
 - 31M~99M:±500mm



Pin Assignments
Front View

5	Green	綠
4	Black	黑
3	Blue	藍
2	White	白
1	Brown	棕
Conn.	Wire Color	Pin Out

UNIT:mm		TITLE		M12 Conn	ITEM NO	DRAWN BY	Vicky	DATE	2016/06/06
TOLERANCE	±0.5 mm	SCALE	Free	Cable Screw 5P F Conn I Pin	DWG NO	CHECKED BY	Rita	DATE	2016/06/06
REV.	C	SIZE	A4	SHEET 1 OF 1	CUSTOMER	APPROVED BY	Lisa	DATE	2016/06/06
				QC :Inspection Item	ALTW				

Amphenol LTW
 安費諾亮泰企業股份有限公司

THIS DOCUMENT IS SUBJECT TO CHANGE WITHOUT NOTICE. IT IS CONFIDENTIAL AND A PROPERTY OF Amphenol LTW. DISCLOSURE TO THIRD PARTY HAS TO BE AUTHORIZED BY Amphenol LTW.