

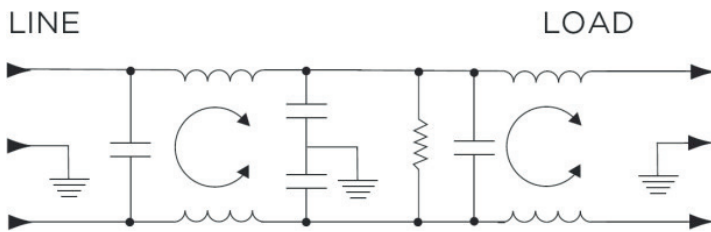
Features

- General purpose filtering
- Choice of Earth Line Choke
- Rated up to 6A
- Choice of termination

Applications

- Electrical and Electronic equipment
- Consumer goods
- Home appliances
- Office equipment

Typical Circuit Diagram



Approvals & Compliances



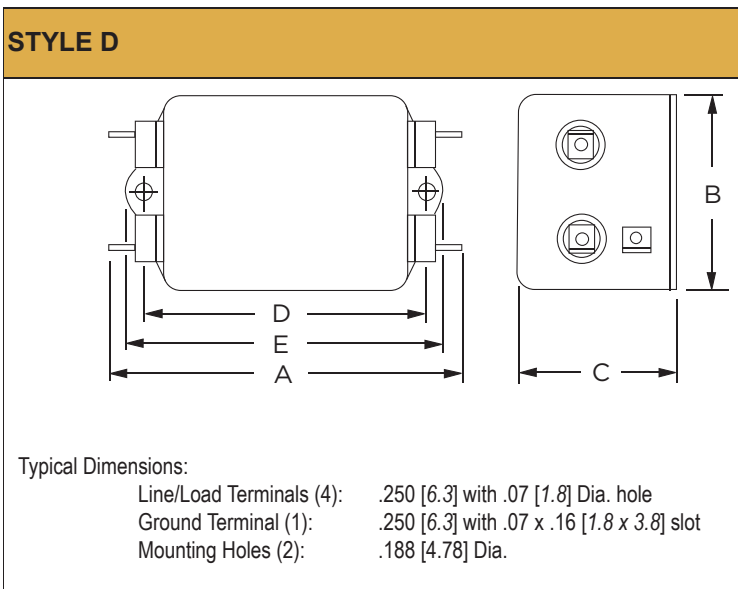
Technical Specifications

| | |
|--------------------------------------|--|
| Maximum Continuous Operating Voltage | 250 VAC Max |
| Operating Frequency | 50/60Hz |
| Rated Current | 3A@40°C |
| Temperature range | -10°C to +40°C |
| High Potential Test Voltage | Line to Ground: 2250 VDC Line to Line: 1450 VDC |

Selection Table

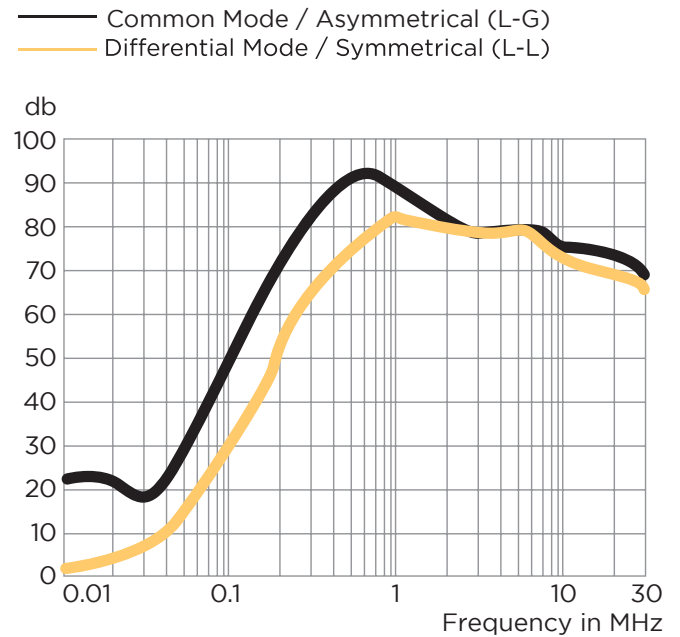
| AMI Designation | Input/output Style | Current Rating | Inductance | Capacitance | | Resistor | Leakage Current @ 120 VAC 60Hz/250 VAC 50 Hz | TIL Insertion Loss | Case Style |
|------------------------|----------------------------|----------------|------------|-------------|------|------------|--|--------------------|------------|
| | | | mH | Cx | Cy | K Ω | | | |
| Available Part Numbers | IEC/ 6.3mm Spade Terminals | | | nF | pF | | mA | | |
| AMI-M12C-7-3-B | 7 | 3 | 14.12 | 740 | 2800 | 330 | 0.21/0.36 | 001 | D |
| AMI-M12C-7M-3-B | 7 | 3 | 14.12 | 740 | 2800 | 330 | 0.21/0.36 | 001 | D |

Case Styles



Typical Insertion Loss

According to CISPR17 in 50 Ω system



Case Dimensions:

| Model Number | A max | B max | C max | D $\begin{smallmatrix} \pm .015 \\ \pm .38 \end{smallmatrix}$ | E max |
|-------------------------------|--------------|--------------|--------------|---|--------------|
| AMI-M12C-7M-3 AMI-M12C-7-3 | 3.21"/81.5mm | 2.25"/57.2mm | 1.78"/45.2mm | 1.575"/40.01mm | 0.63"/12.1mm |