



reversing contactor assembly, AC-3e/AC-3, 41 A, 18.5 kW / 400 V, 3-pole, 20-33 V AC/DC, 50/60 Hz, screw terminal, electrical and mechanical interlock, auxiliary contacts: 2 x 1 NO

<b>product brand name</b>	SIRIUS
<b>product designation</b>	Reversing contactor assembly
<b>product type designation</b>	3RA23
<b>manufacturer's article number</b>	
<ul style="list-style-type: none"> <li>• 1 of the supplied contactor</li> <li>• 2 of the supplied contactor</li> <li>• of the supplied RS assembly kit</li> </ul>	<a href="#">3RT2035-1NB30</a> <a href="#">3RT2035-1NB30</a> <a href="#">3RA2933-2AA1</a>
<b>General technical data</b>	
<b>size of contactor</b>	S2
product extension auxiliary switch	Yes
<b>shock resistance at rectangular impulse</b>	
<ul style="list-style-type: none"> <li>• at AC</li> <li>• at DC</li> </ul>	7.7g / 5 ms, 4.5g / 10 ms 7.7g / 5 ms, 4.5g / 10 ms
<b>shock resistance with sine pulse</b>	
<ul style="list-style-type: none"> <li>• at AC</li> <li>• at DC</li> </ul>	12g / 5 ms, 7g / 10 ms 12g / 5 ms, 7g / 10 ms
<b>mechanical service life (operating cycles)</b>	
<ul style="list-style-type: none"> <li>• of contactor typical</li> <li>• of the contactor with added auxiliary switch block typical</li> </ul>	10 000 000 10 000 000
<b>reference code according to IEC 81346-2</b>	Q
<b>Substance Prohibition (Date)</b>	10/01/2014
<b>Ambient conditions</b>	
installation altitude at height above sea level maximum	2 000 m
<b>ambient temperature</b>	
<ul style="list-style-type: none"> <li>• during operation</li> <li>• during storage</li> </ul>	-25 ... +60 °C -55 ... +80 °C
<b>Main circuit</b>	
<b>number of poles for main current circuit</b>	3
<b>number of NO contacts for main contacts</b>	3
<b>number of NC contacts for main contacts</b>	0
<b>operating voltage</b>	
<ul style="list-style-type: none"> <li>• at AC-3 rated value maximum</li> <li>• at AC-3e rated value maximum</li> </ul>	690 V 690 V
<b>operational current</b>	
<ul style="list-style-type: none"> <li>• at AC-3 <ul style="list-style-type: none"> <li>— at 400 V rated value</li> <li>— at 500 V rated value</li> <li>— at 690 V rated value</li> </ul> </li> <li>• at AC-3e <ul style="list-style-type: none"> <li>— at 400 V rated value</li> </ul> </li> </ul>	41 A 41 A 24 A 41 A

— at 500 V rated value	41 A
— at 690 V rated value	24 A
<b>operating power</b>	
● at AC-3	
— at 400 V rated value	18.5 kW
— at 500 V rated value	22 kW
— at 690 V rated value	22 kW
● at AC-3e	
— at 400 V rated value	18.5 kW
— at 690 V rated value	22 kW
● at AC-4 at 400 V rated value	18.5 kW
<b>operating frequency</b>	
● at AC-3 maximum	1 000 1/h
● at AC-3e maximum	1 000 1/h

### Control circuit/ Control

<b>type of voltage of the control supply voltage</b>	AC/DC
<b>control supply voltage 1 at AC</b>	
● at 50 Hz	20 ... 33 V
● at 60 Hz	20 ... 33 V
<b>control supply voltage 1</b>	
● at DC	20 ... 33 V
<b>operating range factor control supply voltage rated value of magnet coil at AC</b>	
● at 50 Hz	0.8 ... 1.1
● at 60 Hz	0.8 ... 1.1
<b>design of the surge suppressor</b>	with varistor
<b>apparent pick-up power of magnet coil at AC</b>	
● at 50 Hz	40 VA
● at 60 Hz	40 VA
<b>inductive power factor with closing power of the coil</b>	
● at 50 Hz	0.64
● at 60 Hz	0.5
<b>apparent holding power of magnet coil at AC</b>	
● at 50 Hz	2 VA
● at 60 Hz	2 VA
<b>inductive power factor with the holding power of the coil</b>	
● at 50 Hz	0.36
● at 60 Hz	0.39
<b>closing power of magnet coil at DC</b>	23 W
<b>holding power of magnet coil at DC</b>	1 W

### Auxiliary circuit

<b>number of NC contacts for auxiliary contacts</b>	
● per direction of rotation	0
<b>number of NO contacts for auxiliary contacts</b>	
● per direction of rotation	1
● instantaneous contact	2
<b>contact reliability of auxiliary contacts</b>	< 1 error per 100 million operating cycles

### UL/CSA ratings

<b>full-load current (FLA) for 3-phase AC motor</b>	
● at 480 V rated value	40 A
● at 600 V rated value	41 A
<b>yielded mechanical performance [hp] for 3-phase AC motor</b>	
● at 220/230 V rated value	15 hp
● at 460/480 V rated value	30 hp
● at 575/600 V rated value	40 hp
<b>contact rating of auxiliary contacts according to UL</b>	A600 / Q600

### Short-circuit protection

<b>design of the fuse link</b>	
● for short-circuit protection of the main circuit	
— with type of coordination 1 required	gG NH 3NA, DIAZED 5SB, NEOZED 5SE: 160 A
— with type of assignment 2 required	gG NH 3NA, DIAZED 5SB, NEOZED 5SE: 80 A

<ul style="list-style-type: none"> <li>for short-circuit protection of the auxiliary switch required</li> </ul>	fuse gG: 10 A
<b>Installation/ mounting/ dimensions</b>	
<b>mounting position</b>	+/-180° rotation possible on vertical mounting surface; can be tilted forward and backward by +/- 22.5° on vertical mounting surface
<b>fastening method</b>	screw and snap-on mounting onto 35 mm DIN rail
<b>height</b>	141 mm
<b>width</b>	120 mm
<b>depth</b>	130 mm
<b>required spacing</b>	
<ul style="list-style-type: none"> <li>with side-by-side mounting <ul style="list-style-type: none"> <li>forwards 10 mm</li> <li>backwards 0 mm</li> <li>upwards 10 mm</li> <li>downwards 10 mm</li> <li>at the side 10 mm</li> </ul> </li> <li>for grounded parts <ul style="list-style-type: none"> <li>forwards 10 mm</li> <li>backwards 0 mm</li> <li>upwards 10 mm</li> <li>at the side 10 mm</li> <li>downwards 10 mm</li> </ul> </li> <li>for live parts <ul style="list-style-type: none"> <li>forwards 10 mm</li> <li>backwards 0 mm</li> <li>upwards 10 mm</li> <li>downwards 10 mm</li> <li>at the side 10 mm</li> </ul> </li> </ul>	
<b>Connections/ Terminals</b>	
<b>type of electrical connection</b>	
<ul style="list-style-type: none"> <li>for main current circuit</li> <li>for auxiliary and control circuit</li> <li>at contactor for auxiliary contacts</li> <li>of magnet coil</li> </ul>	screw-type terminals screw-type terminals Screw-type terminals Screw-type terminals
type of connectable conductor cross-sections for main contacts	
<ul style="list-style-type: none"> <li>solid</li> <li>solid or stranded</li> <li>finely stranded with core end processing</li> </ul>	2x (1 ... 35 mm <sup>2</sup> ), 1x (1 ... 50 mm <sup>2</sup> ) 2x (1 ... 35 mm <sup>2</sup> ), 1x (1 ... 50 mm <sup>2</sup> ) 2x (1 ... 25 mm <sup>2</sup> ), 1x (1 ... 35 mm <sup>2</sup> )
<b>type of connectable conductor cross-sections</b>	
<ul style="list-style-type: none"> <li>for auxiliary contacts <ul style="list-style-type: none"> <li>solid or stranded</li> <li>finely stranded with core end processing</li> </ul> </li> <li>for AWG cables for auxiliary contacts</li> </ul>	2x (0.5 ... 1.5 mm <sup>2</sup> ), 2x (0.75 ... 2.5 mm <sup>2</sup> ) 2x (0.5 ... 1.5 mm <sup>2</sup> ), 2x (0.75 ... 2.5 mm <sup>2</sup> ) 2x (20 ... 16), 2x (18 ... 14)
<b>Safety related data</b>	
B10 value with high demand rate according to SN 31920	1 000 000
<b>proportion of dangerous failures</b>	
<ul style="list-style-type: none"> <li>with low demand rate according to SN 31920</li> <li>with high demand rate according to SN 31920</li> </ul>	40 % 73 %
failure rate [FIT] with low demand rate according to SN 31920	100 FIT
T1 value for proof test interval or service life according to IEC 61508	20 a
<b>protection class IP on the front according to IEC 60529</b>	IP20
<b>touch protection on the front according to IEC 60529</b>	finger-safe, for vertical contact from the front
<b>Communication/ Protocol</b>	
<b>product function bus communication</b>	Yes
protocol is supported AS-Interface protocol	No
product function control circuit interface with IO link	No
<b>Certificates/ approvals</b>	
<b>General Product Approval</b>	<b>Declaration of Conformity</b>



[Confirmation](#)



Test Certificates

Marine / Shipping

[Type Test Certificates/Test Report](#)



Marine / Shipping

other

Dangerous Good



[Confirmation](#)

[Transport Information](#)

#### Further information

Siemens has decided to exit the Russian market (see here).

<https://press.siemens.com/global/en/pressrelease/siemens-wind-down-russian-business>

Siemens is working on the renewal of the current EAC certificates.

Please contact your local Siemens office on the status of validity of the EAC certification if you intend to import or offer to supply these products to an EAC relevant market (other than the sanctioned EAEU member states Russia or Belarus).

Information on the packaging

<https://support.industry.siemens.com/cs/ww/en/view/109813875>

Information- and Downloadcenter (Catalogs, Brochures,...)

<https://www.siemens.com/ic10>

Industry Mall (Online ordering system)

<https://mall.industry.siemens.com/mall/en/en/Catalog/product?mlfb=3RA2335-8XB30-1NB3>

Cax online generator

<http://support.automation.siemens.com/WW/CAXorder/default.aspx?lang=en&mlfb=3RA2335-8XB30-1NB3>

Service&Support (Manuals, Certificates, Characteristics, FAQs,...)

<https://support.industry.siemens.com/cs/ww/en/ps/3RA2335-8XB30-1NB3>

Image database (product images, 2D dimension drawings, 3D models, device circuit diagrams, EPLAN macros, ...)

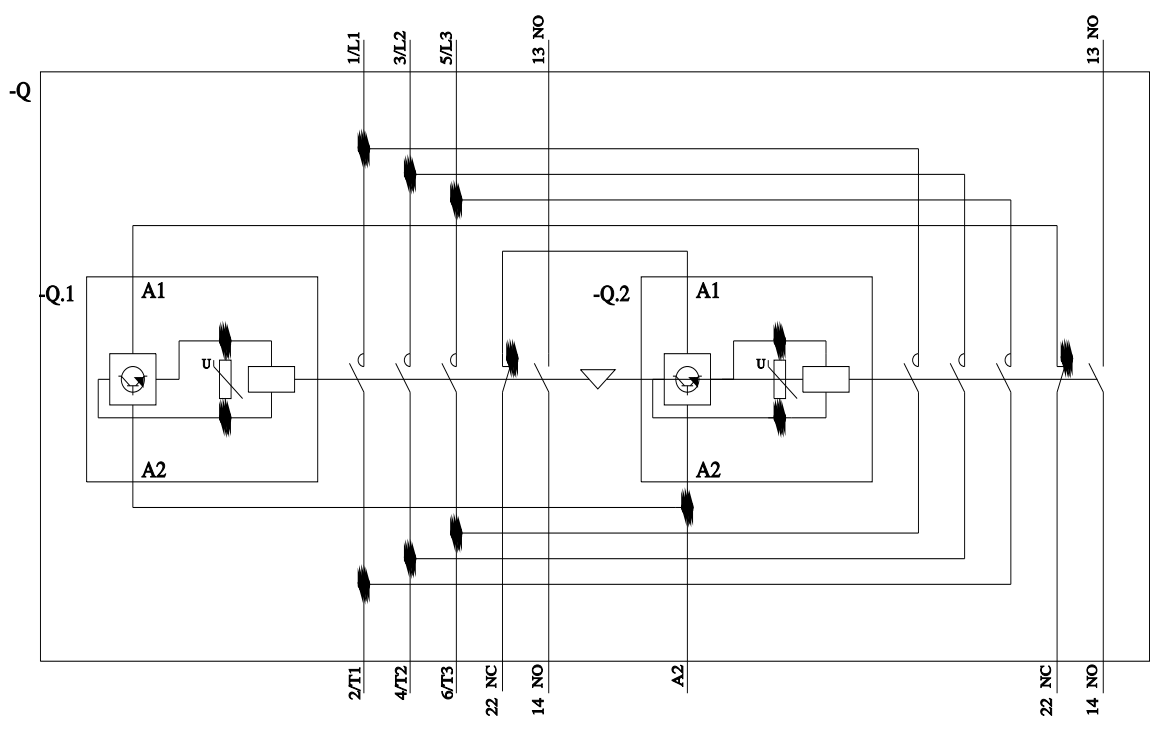
[http://www.automation.siemens.com/bilddb/cax\\_de.aspx?mlfb=3RA2335-8XB30-1NB3&lang=en](http://www.automation.siemens.com/bilddb/cax_de.aspx?mlfb=3RA2335-8XB30-1NB3&lang=en)

Characteristic: Tripping characteristics, I<sup>2</sup>t, Let-through current

<https://support.industry.siemens.com/cs/ww/en/ps/3RA2335-8XB30-1NB3/char>

Further characteristics (e.g. electrical endurance, switching frequency)

<http://www.automation.siemens.com/bilddb/index.aspx?view=Search&mlfb=3RA2335-8XB30-1NB3&objecttype=14&gridview=view1>



last modified:

11/21/2022

